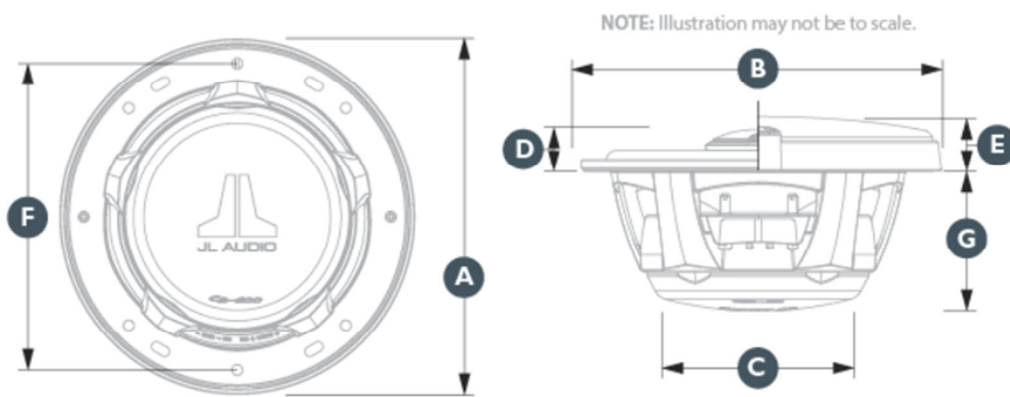


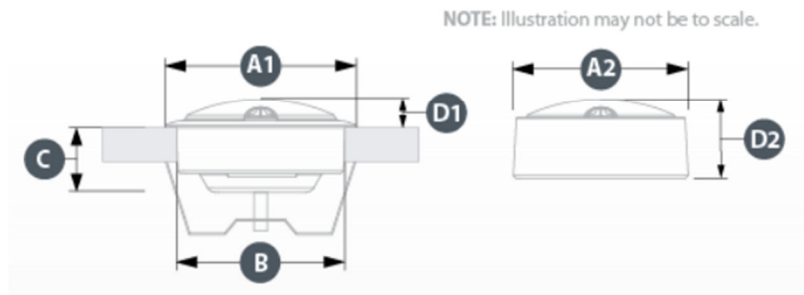
JL Audio C3-600



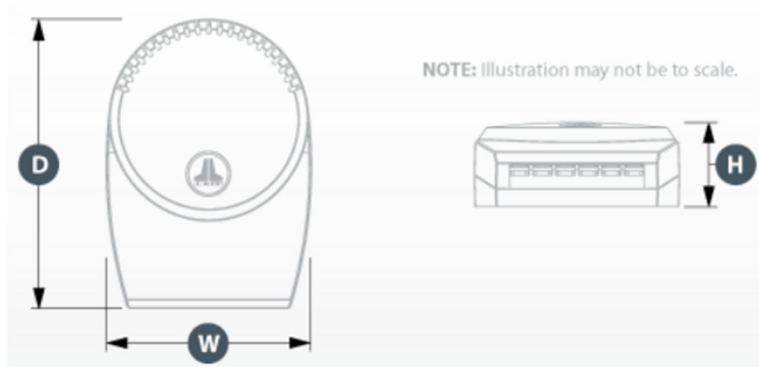
Frame Outer Diameter (A)	6.21 in. / 157.7 mm
Grille Tray Outer Diameter (B)	6.46 in. / 164.1 mm
Rear Cover Outer Diameter (C)	4.08 in. / 103.6 mm
Frontal Coaxial Tweeter Protrusion* (D)	0.81 in. / 20.6 mm
Frontal Grille Protrusion** (E)	1.03 in. / 26.2 mm
Mounting Hole Diameter (F)	5.00 in. / 127 mm
Mounting Depth (G)	2.49 in. / 63 mm

*Frontal coaxial tweeter protrusion measured from mounting surface

**Frontal grille protrusion measured from mounting surface



Flush Mount Fixture Diameter (A1)	2.12 in / 54 mm
Surface Mount Fixture Diameter (A2)	1.93 in / 49 mm
Flush Mount Mounting Hole Diameter (B)	1.875 in / 48 mm
Flush Mount Fixture Mounting Depth (C)	0.71 in / 18 mm
Flush Mount Tweeter Frontal Protrusion (D1)	0.32 in / 8 mm
Surface Mount Tweeter Frontal Protrusion (D2)	0.95 in / 24 mm



Width (W)	3.36 in / 85 mm
Height (H)	1.44 in / 37 mm

Depth (D)	4.72 in / 120 mm
------------------	------------------