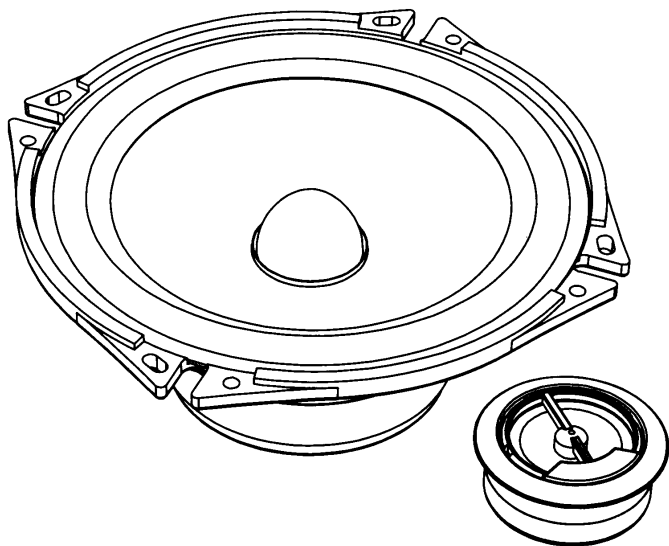


Congratulations on choosing Focal automobile speakers.

Focal speakers remain high quality products, due to the multitude of advanced materials used. Detailed research and development in the laboratory, from dedicated engineers and technicians, played a major role in producing such high performing products. To gain the best results from your speakers, please ensure you follow these recommendations. If not followed correctly any fault observed, may not be covered by the guarantee.



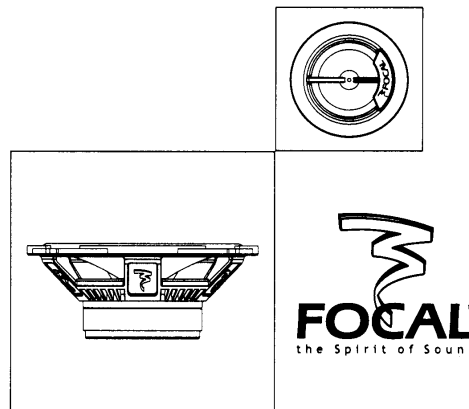
Included

- Polyglass cone woofer
- Aluminum inverted dome TN44 tweeter
- Separate crossovers
- 2 mounting rings
- 2 bracing
- 6 pairs of cables with connector
- 2 pairs of gaskets
- fixing screws and braces
- 2 types of collars

THE FOCAL GUARANTEE ONLY APPLIES IF PAGE 12 IS RETURNED TO US WITHIN 10 DAYS OF PURCHASE.



Focal® is a trademark of Focal-JMLab® - BP 374 - 108, rue de l'Avenir - 42353 La Talaudière cedex - France - Tel. (+33) 04 77 43 57 00 - Fax (+33) 04 77 43 57 04 - www.focal-fr.com



KIT 170 V

User Manual

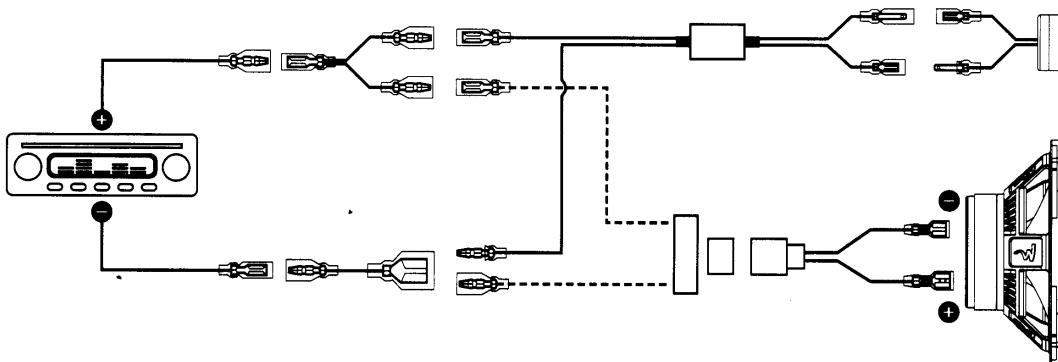
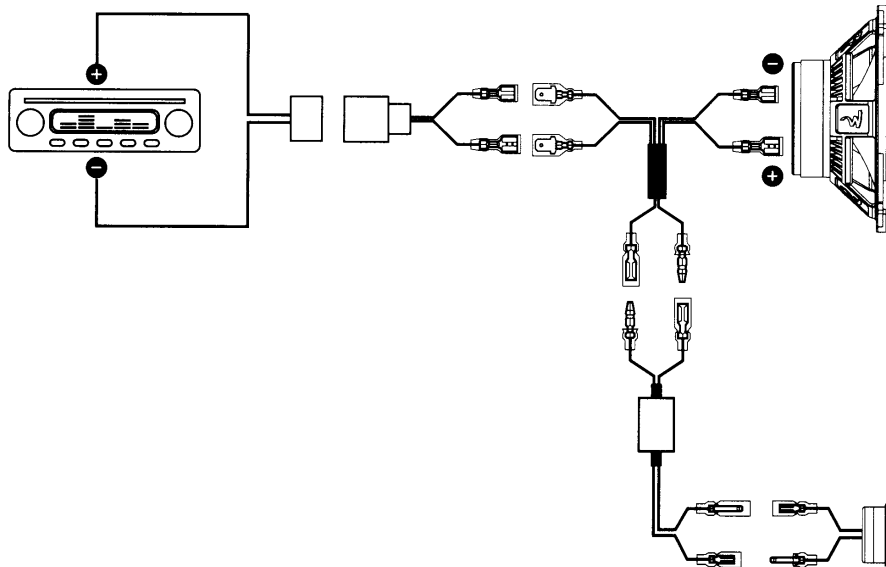
Important recommendations

Before attempting any installation work, it is very important to verify how much space is available to fit the speakers into the vehicle.

Key points:

- For direct replacement of original speakers, please check there is enough space for your new Focal speakers and grilles.
- Ensure the speaker is clean from debris and metallic particles that maybe attached (especially after drilling)
- Do not touch the tweeter cone.

2-way kits connections



Specifications

170 V	
Type	2-way kit
Diameter	6 ^{13/16} " (172,9mm)
Maximum power	120W
Nominal power	60W
Sensitivity (2.83 V/1 m)	91dB
Frequency response	60Hz – 20kHz
Impedance	4 ohms
Fitting diameter	5 ^{1/2} " (140mm)
Mounting depth	2 ^{1/4} " (57mm)



Your Focal-JMLab product was developed and manufactured with high-quality materials and components which can be recycled and/or re-used. This symbol indicates that electrical and electronic equipment must be disposed of separately from normal garbage at the end of its operational lifetime. Please dispose of this product by bringing it to your local collection point or recycling centre for such equipment. This will help to protect the environment in which we all live.

How can you improve the sound quality of your speakers?

Easy. To improve the sound quality of your speakers notably those installed into the doors, Focal has the answer. Known as "Plain-Chant", this material acts as a sound absorber, to effectively reduce unwanted resonances and ensure your speakers produce a more full sound. No-fuss installation ensures this accessory, proves to be a real asset for your Focal speakers/installation. Consult your Focal retailer for further information/advise.

Which power for your amplifier?

These speakers are already highly efficient, with improved sensitivity. Therefore, their use with a high power head unit will produce comfortable listening pleasure.

However, if used with a more high-end system, with Focal amplification, the audio quality will be greatly improved. It is very important to ensure that the rated power of the amplifier suits the speakers used. Otherwise, your speakers may distort or possible damage may occur.

Always consult the owners manual of the principal source (head unit/amplifier), to ensure the power rating is compatible. A safe guide is to ensure the maximum power of the amplifier is not greater than the nominal power of the speakers.

Installation upgrade (with the help of a subwoofer)

If you want your system to have bass, with real punch and power, we recommend the inclusion of a subwoofer. This will greatly improve your listening pleasure and give your system, some real physical dimension.

Focal has therefore developed a range of subwoofer drivers and complete subwoofer systems, to compliment your Polyglass speakers.

Consult your local dealer, or check out these exciting products on the Focal Internet site : www.focal-fr.com.

Guarantee

All Focal loudspeakers are covered by guarantee drawn up by the official Focal distributor in your country.

Your distributor can provide all details concerning the conditions of guarantee. Guarantee cover extends at least to that granted by the legal guarantee in force in the country where the original purchase invoice was issued.

In addition to Car hi-fi systems, Focal offers personalized solutions for the equipment of your house. Enjoy at home the hi-fi and home cinema sensations provided by the Focal sound. Several product lines by the French leading loudspeaker manufacturer, are at your disposal to share with you our passion : the Spirit of Sound / www.focal-fr.com.



For the validation of the Focal guarantee, send back this sheet within 10 days to the following address:

Focal-JMLab - BP 374 - 108, rue de l'Avenir - 42353 La Talaudière cedex - FRANCE

About yourself:

Your name: _____ Your age: _____ Your job: _____

Your full address: _____

Your e-mail address: _____

Your hobbies:

At home, do you own Hi-Fi loudspeakers? - Yes - No

If yes, specify the brand: _____

Do you read the press? - Yes - No

If yes, which magazine(s)? _____

Your audio/video equipment (brands and models) before the acquisition of Focal products:

CD player/tuner: _____ Multimedia player: _____

Navigation system: _____ Amplifier: _____

Speakers: _____ Enclosure/subwoofer: _____

Other elements: _____

Your choice for the purchase of this Focal model was made according to:

- | | |
|---|--|
| <input type="checkbox"/> - Dealer's advice | <input type="checkbox"/> - Friend's or family's advice |
| <input type="checkbox"/> - Visiting an exhibition/a show | <input type="checkbox"/> - Quality-price ratio |
| <input type="checkbox"/> - Sound quality/listening room | <input type="checkbox"/> - Already own Focal products |
| <input type="checkbox"/> - Reliability/manufacturing quality | <input type="checkbox"/> - Catalogues |
| <input type="checkbox"/> - Design/Finish | <input type="checkbox"/> - French product |
| <input type="checkbox"/> - Article in the press (if yes, specify the title of the magazine) _____ | <input type="checkbox"/> - Other : _____ |

Your Focal product:

Model: _____ Serial number: _____

Dealer's name: _____ City: _____

Date of your purchase: _____ Price of your purchase: _____

Did you leave the product installation to your dealer's care? - Yes - No

If not, why? _____

This information is necessary to our company to deal with your request. It is registered in our customer file and can give you the right to have access to and correct the information that concerns you through our customer service (+33 477 435 700).

If you do not wish to have your data used by our partners on commercial purpose, tick this box.

If you do not wish to receive commercial propositions from our partners by e-mail, please tick this box.

You may receive commercial offers from our company for products similar to those you have bought.

If you do not wish to, tick that box.

The information given on this page will remain confidential.



SCBD-090417/1

