

INTEGRATION COMPONENT SYSTEMS

User manual

English version

Thank you for choosing Focal and for sharing our passion for the "Spirit of Sound". Designed using the latest technology, these speakers integrate Focal's perfectionist believes, developing products with high power handling, and unrivalled sound quality. To obtain the best results from this product, we recommend that you follow carefully all the information contained in this user's manual. If not correctly followed, any fault observed may not be covered by the guarantee.

Warning

Continuous listening at high sound level (above 110dB) can durably damage your hearing.
Listening above 130dB can damage your hearing permanently.

The Focal guarantee only applies if the enclosed guarantee card is returned to us within 10 days of purchase.

Important recommendations

Before attempting any installation work, it is very important to check how much space is available to fit the speakers into the vehicle.

Key points:

- Ensure the speaker is clean from debris and metallic particles that maybe attached (especially after drilling).
- Clean before mounting the speakers.

Français page 5



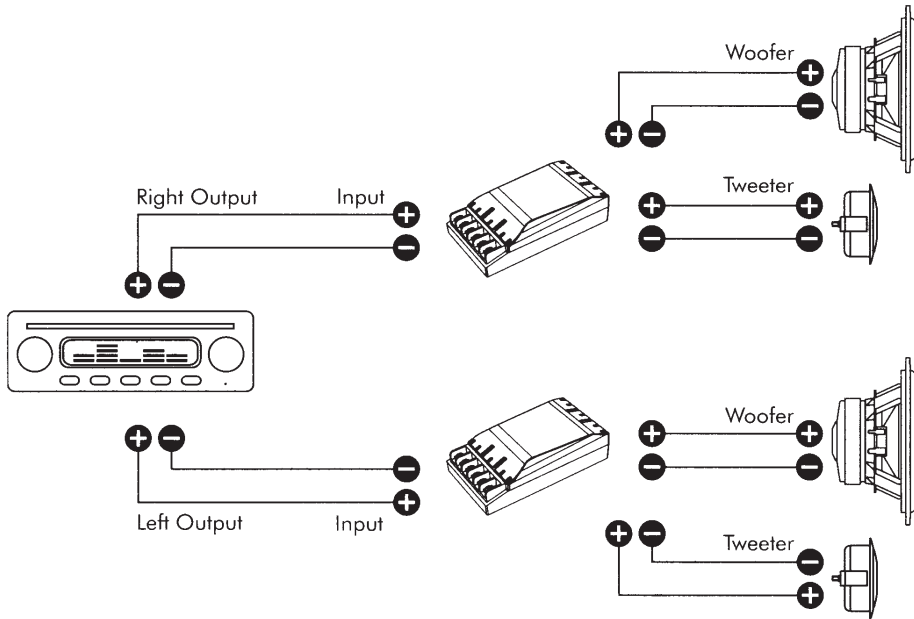
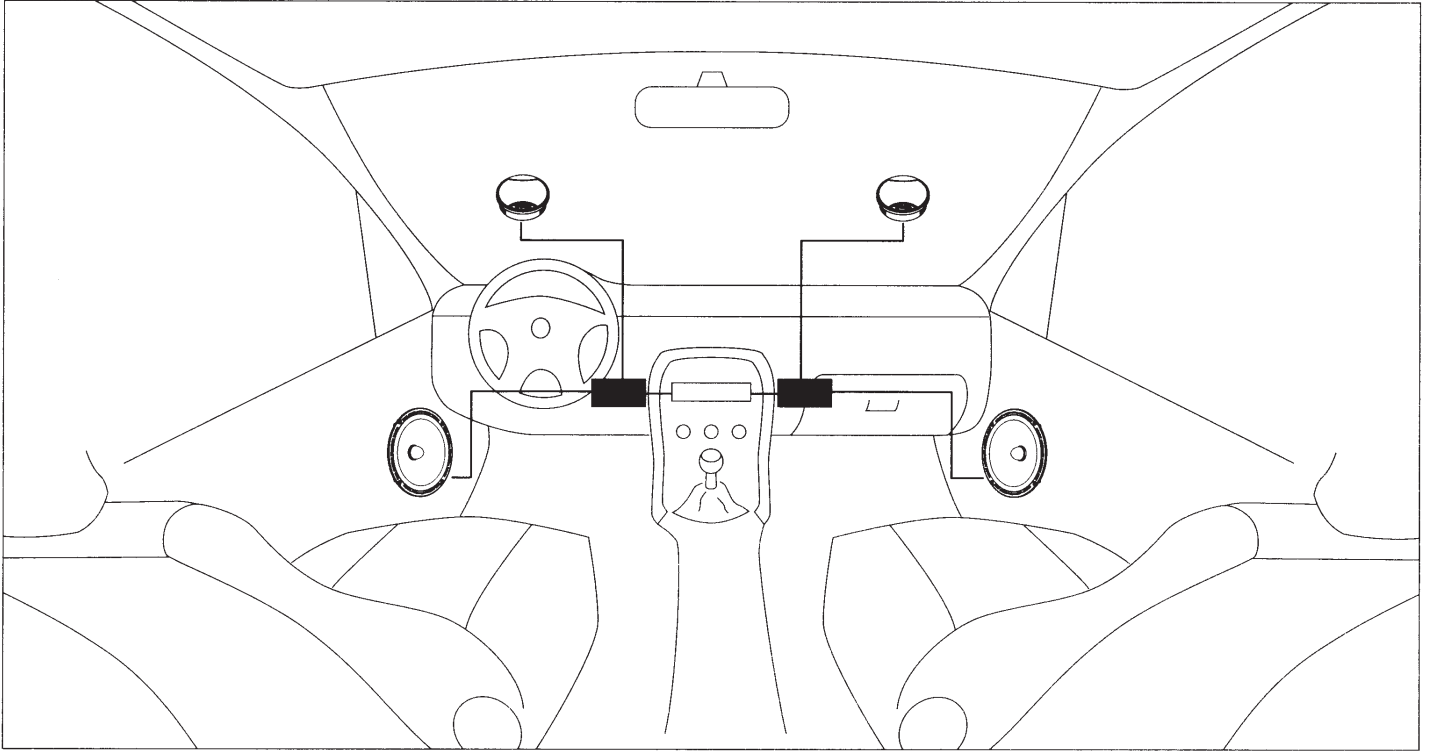
Focal-JMlab® - BP 374 - 108, rue de l'Avenir - 42353 La Talaudière cedex - France - www.focal.com
Tél. (+33) 04 77 43 57 00 - Fax. (+33) 04 77 43 57 04

Due to constant technological advances, Focal reserves its right to modify specifications without notice. Images may not conform exactly to specific product..

INTEGRATION COMPONENT SYSTEMS

User manual

2 ways kits connections



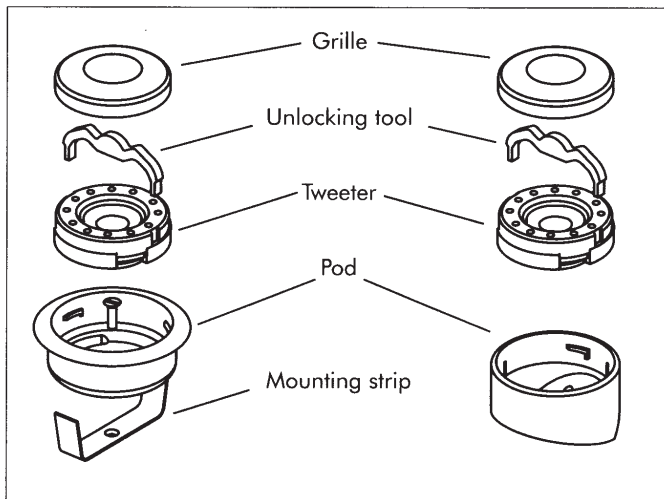
INTEGRATION COMPONENT SYSTEMS

Fitting the tweeter - I 100 VRS, I 130 VRS, I 165 VRS

There are two mounting possibilities available: surface or flush mount. The tweeter arrives supplied in its flush-mounting pod. Very carefully, remove the grille, by gently prizing it off (using a paper clip will help).

Surface mounting: choose the angle that best suits your installation (10° or 30°) and mount the pod firmly using the screws supplied. Feed the wire through the hole in the pod and refit the tweeter and grille in place.

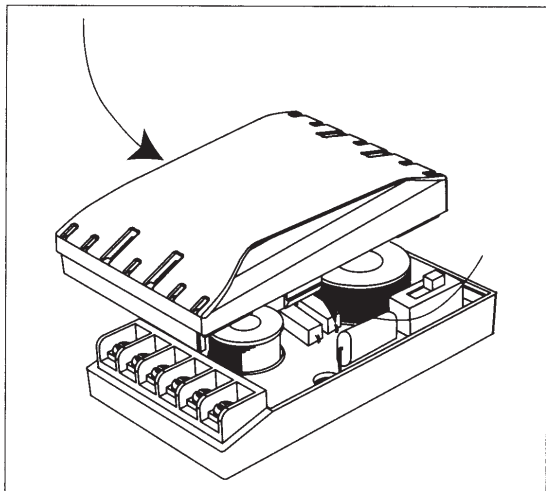
Flush mounting: cut a neat 45mm diameter hole in the panel where you want to place the tweeter. Then with the metal mounting strip held from behind (ensuring the ends are pointing towards the hole), insert the screw through the flush-mount pod from the front and tighten the two parts together. Feed the wire through the hole in the pod and refit the tweeter and grille in place.



INTEGRATION COMPONENT SYSTEMS

Fitting the crossover

Locate the crossovers in a dry, preferably ventilated area, using either the screws supplied or double-sided tape. To open the box, squeeze the middle on the side, and remove the cover. In some cases, depending on your installation and the space available, it maybe easier to route the cables and connect to the crossover, before securing the crossover to the vehicle. Please check before.

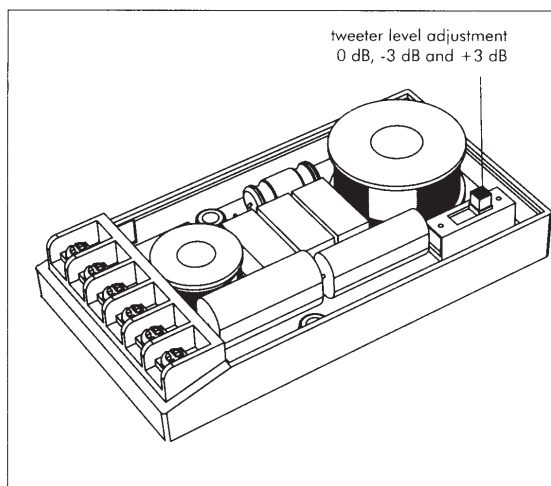


Level adjustment of tweeter and midrange

The toggle switch inside the crossover allows the users to adjust the tweeter level according to their tastes and also to the speaker location in the car, in order to get the best sound reproduction possible. Too much level in the treble frequencies gives an aggressive sound and a level lack alters definition and dynamics.

If the tweeter is placed very close to the midbass driver, set it on 0 or +3dB.

If the tweeter is placed on the dashboard or on top of the door and the woofer in the door, set it on -3 ou 0dB.



FR Conditions de garantie

La garantie pour la France sur tout matériel Focal est de 2 ans. En cas de matériel défectueux, celui-ci doit être expédié à vos frais, dans son emballage d'origine auprès du revendeur, lequel analysera le matériel et déterminera la nature de la panne. Si celui-ci est sous garantie, le matériel vous sera rendu ou remplacé en "franco de port". Dans le cas contraire, un devis de réparation vous sera proposé. La garantie ne couvre pas les dommages résultant d'une mauvaise utilisation ou d'un branchement incorrect (bobines mobiles brûlées par exemple...).

En dehors de la France, le matériel Focal est couvert par une garantie dont les conditions sont fixées localement par le distributeur officiel Focal de chaque pays, en accord avec les lois en vigueur sur le territoire concerné.

GB Conditions of guarantee

All Focal loudspeakers are covered by guarantee drawn up by the official Focal distributor in your country. Your distributor can provide all details concerning the conditions of guarantee. Guarantee cover extends at least to that granted by the legal guarantee in force in the country where the original purchase invoice was issued.

D Garantiebedingungen

Alle Focal-Lautsprecher sind durch eine vom offiziellen Focal-Vertragshändler in Ihrem Land gewährten Garantie abgedeckt. Einzelheiten bezüglich der Garantiebedingungen erhalten Sie von Ihrem Vertragshändler. Die Gewährleistung erstreckt sich mindestens auf die geltende gesetzliche Garantie des Landes, in dem der Original-Kaufbeleg ausgestellt wurde.

E Condiciones de la garantía

Todos los altavoces Focal están cubiertos por la garantía extendida por el distribuidor oficial de Focal de su país. Su distribuidor le proporcionará detalles concernientes a las condiciones de la garantía. La cobertura de la garantía alcanza por menos hasta la concedida por la garantía legal en vigor en el país en donde se emitió la factura de compra original.

P Condições da garantia

Todos os altifalantes Focal são abrangidos por uma garantia redigida pelo distribuidor oficial da Focal no seu país. O seu distribuidor pode fornecer todos os pormenores relativamente às condições da garantia. A cobertura da garantia estende-se pelo menos ao que é concedido pela garantia legal em vigor no país em que o recibo de compra original foi emitido.

I Condizioni di garanzia

Tutti gli altoparlanti Focal sono coperti dalla garanzia rilasciata dal distributore ufficiale Focal del vostro paese. Il vostro distributore potrà fornirvi tutti i dettagli riguardanti le condizioni di garanzia. La copertura della garanzia comprende almeno ciò che è contemplato dalla garanzia legale in vigore nel paese in cui è stata rilasciata la fattura originale d'acquisto.

NL Garantievoorwaarden

Alle Focal luidsprekers vallen onder een garantie die door de officiële Focal-distributeur in uw land is opgesteld. Uw distributeur kan u alle details leveren met betrekking tot de garantievoorwaarden. Garantiedekking geldt ten minste voor de wettelijke toegekende garantie die van kracht is in het land waar de originele aankoopbon is uitgegeven.

PL Warunki gwarancyjne

Wszystkie głośniki Focal są objęte gwarancją wydaną przez oficjalnego dystrybutora Focal w Twoim kraju. Dystrybutor poinformuje Cię o wszystkich szczegółach związanych z warunkami gwarancyjnymi. Zakres gwarancji obejmuje przynajmniej gwarancję ustawową oferowaną w kraju, w którym wydano oryginalną fakturę zakupu.

RU Условия гарантии

Все динамики Focal обеспечиваются гарантийным обслуживанием, осуществляемым официальным дистрибьютором Focal в Вашей стране. Ваш дистрибьютор может сообщить Вам все детали, относящиеся к условиям гарантийного обслуживания. Территорией действия условий гарантии является, как минимум, территория той страны где было приобретено данное изделие Focal в соответствии с оригинальным счетом-фактурой.

AR

شروط الضمان

تغطي كل السماعات المركزية (focal) بضمان يقدمه موزع السماعات المركزية المعتمد ببلدكم. يمدك الموزع الخاص بك بكل التفاصيل الخاصة بشروط الضمان. يمتد غطاء الضمان على الأقل إلى الفترة التي يمنحها الضمان القانوني الساري في الدولة محل إصدار فاتورة الشراء الأصلية.