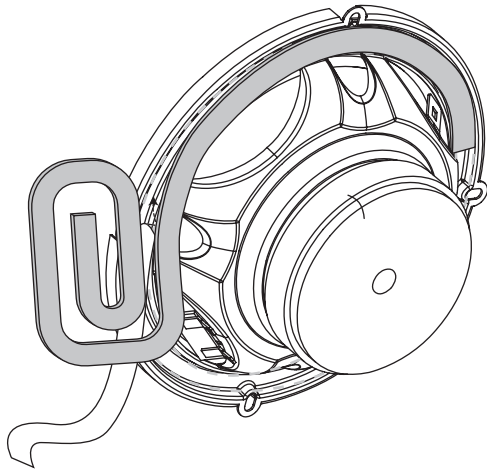
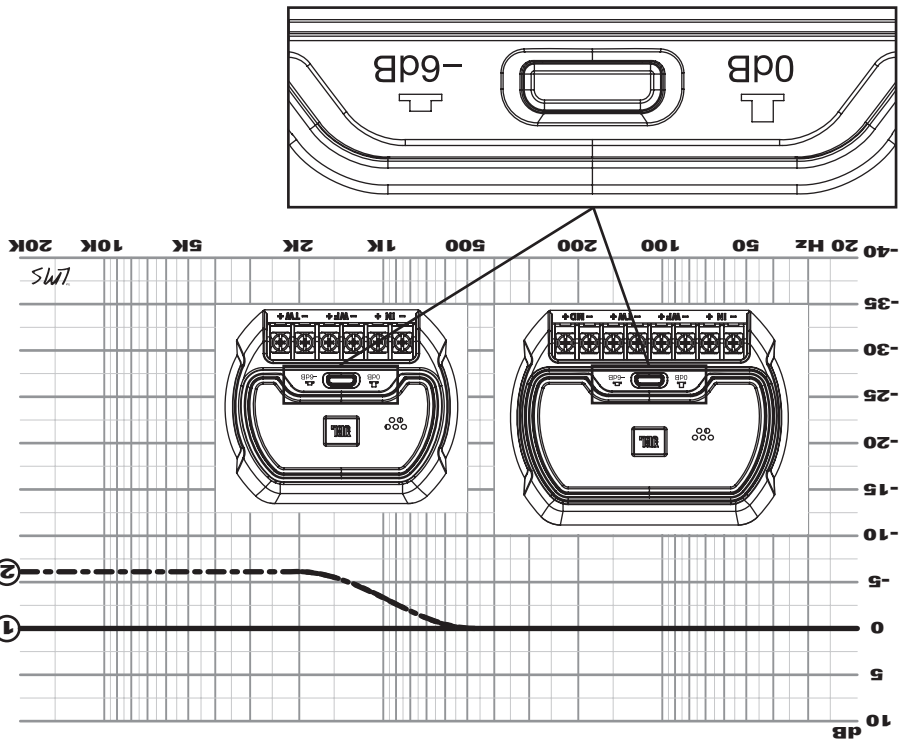
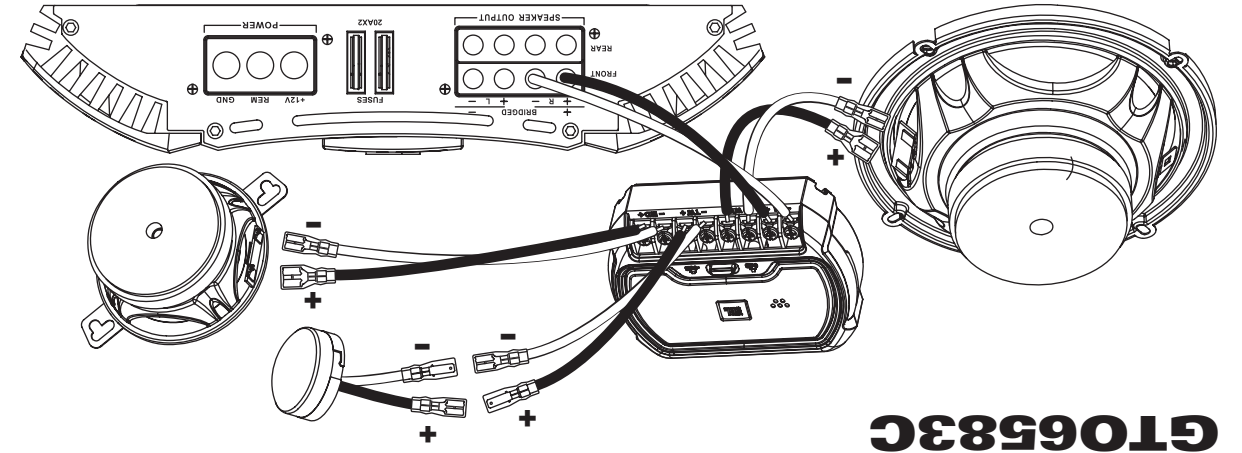


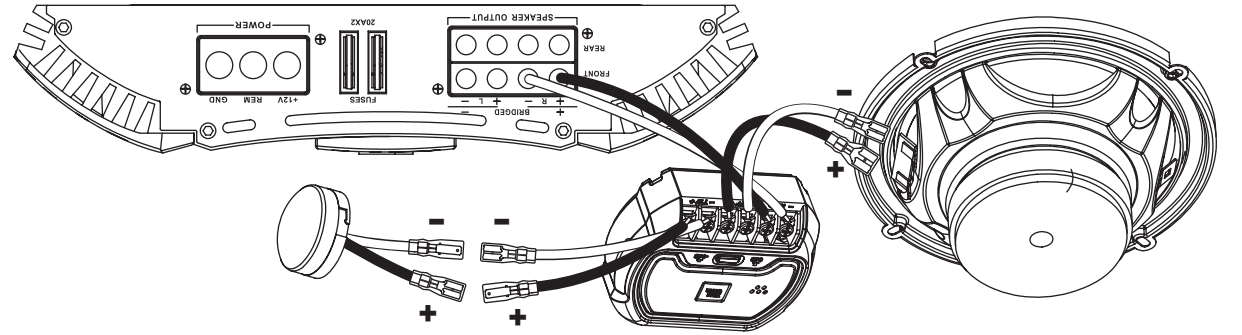
1 High Cut = 0dB 2 High Cut = -6dB



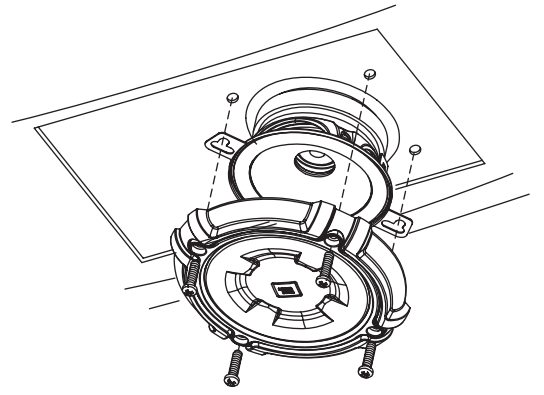
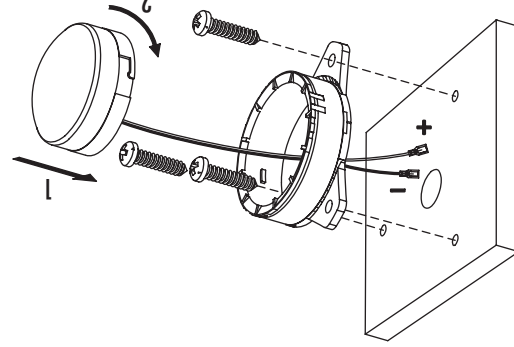
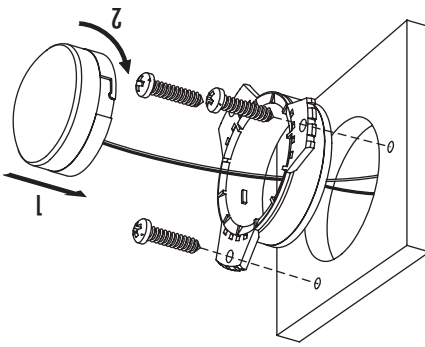
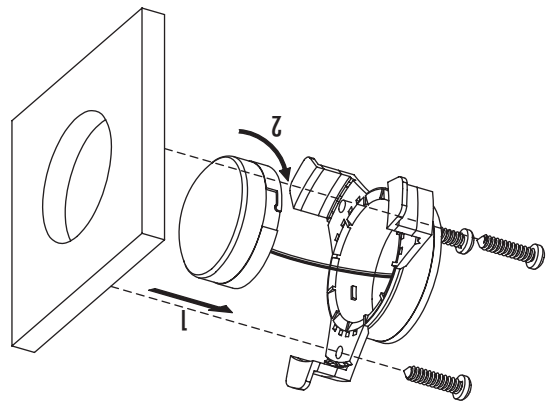
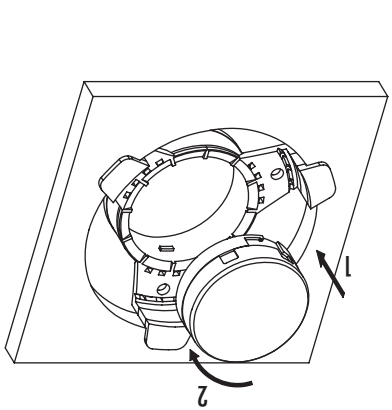
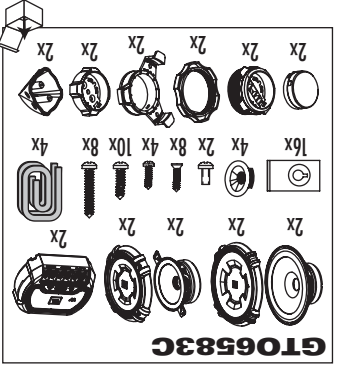
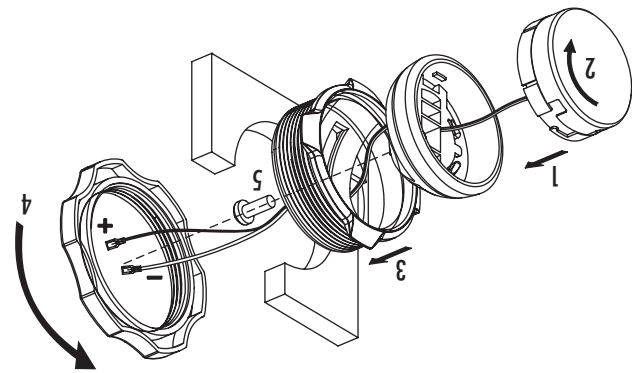
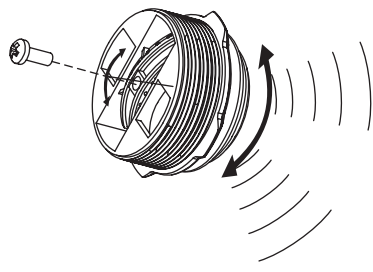
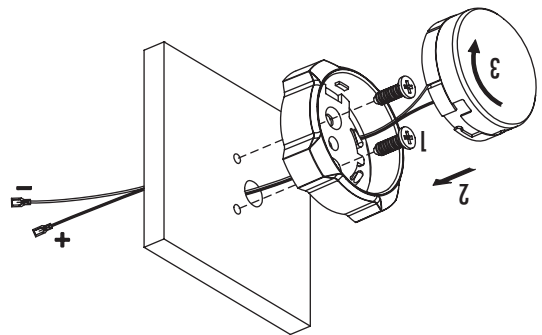
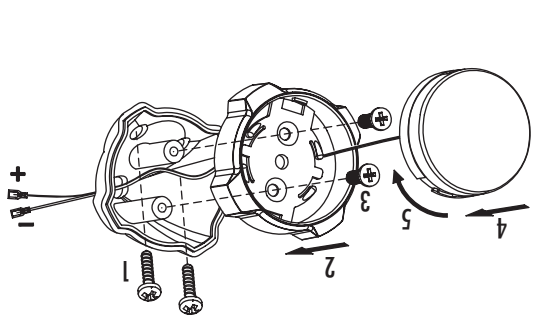
**GT0508C, GT0608C,
GT06508C, GT08608C,
GT06583C**



GT06583C

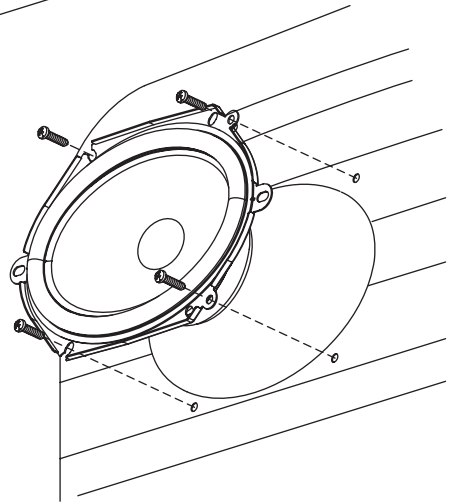
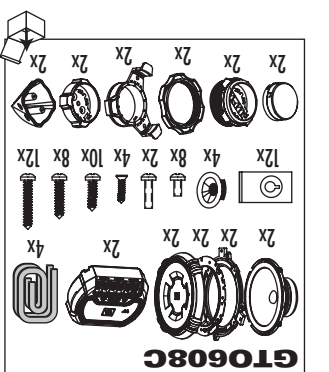
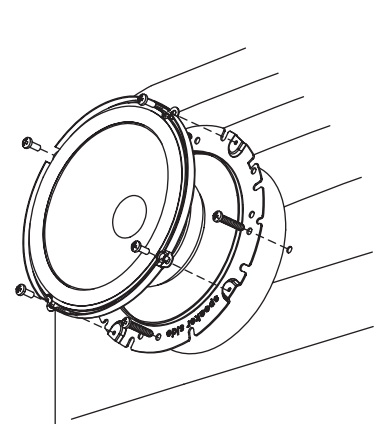
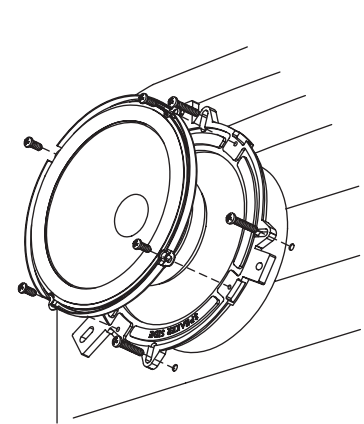
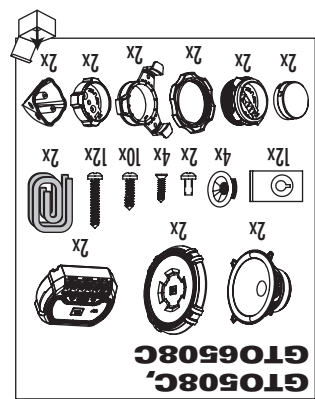
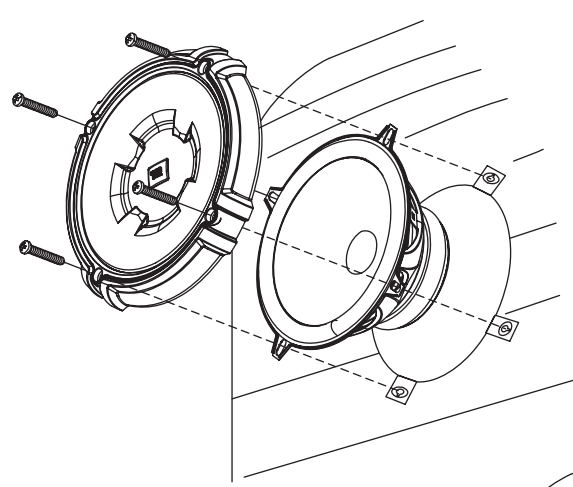
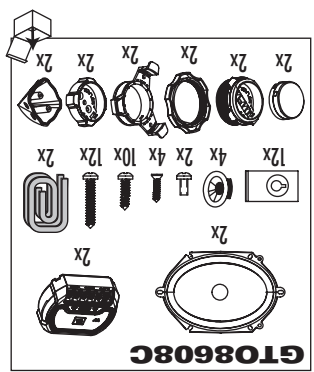
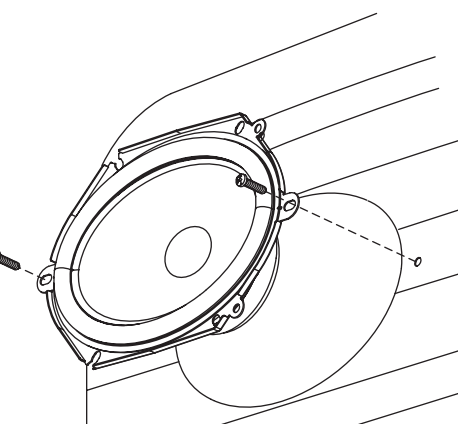
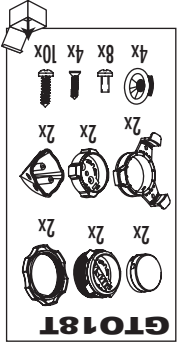


**GT0508C, GT0608C,
GT06508C, GT08608C**

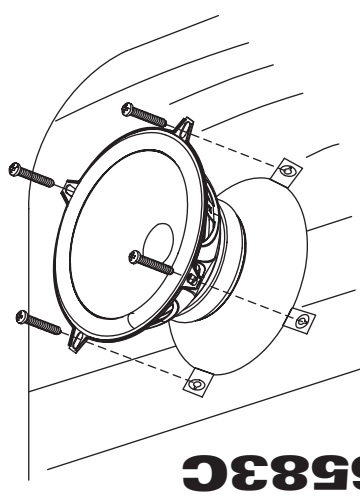


**3-1/2"/87mm
(GT06583C)**

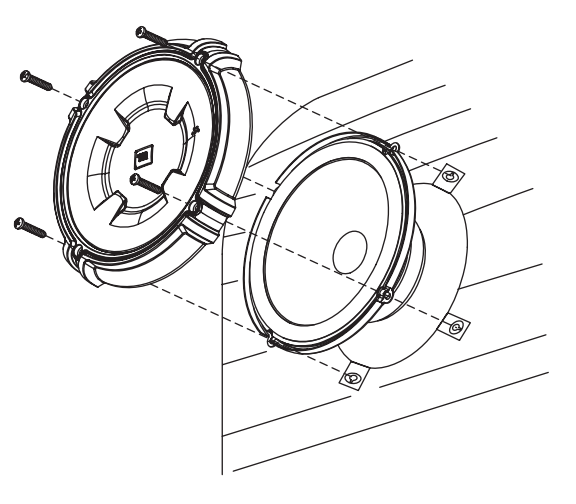
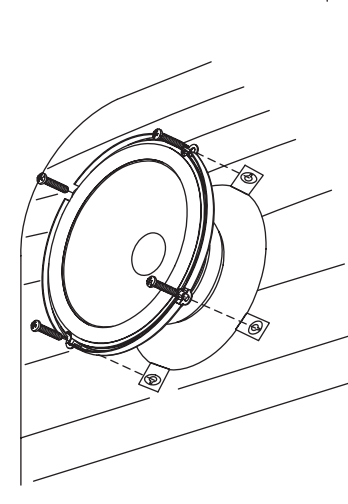
GT018T (GT0508C, GT0608C, GT06508C, GT08608C, GT06583C)



GT08608C



**GT0508C, GT06508C,
GT06583C**



GT0608C

Designed and engineered in the USA.
A valid serial number is required for warranty coverage.
Features, specifications and appearance are subject to change without notice.
These products are designed for mobile applications and are not intended for connection to the mains.
Harman Consumer Group, Inc., 250 Crossways Park Drive, Woodbury, NY 11797 USA • www.jbl.com
© 2008 Harman International Industries, Incorporated. All rights reserved. Part No. GT00MP004/08
JBL and Grand Touring are trademarks of Harman International Industries, Incorporated, registered in the United States and/or other countries.
H A Harman International Company

Declaration of Conformity
CE
We, Harman Consumer Group, Inc.
2, route de Tours
72500 Château du Loir
France
declare in own responsibility that the products described in this owner's manual are in compliance with technical standards:
EN 61000-6-3:2001
EN 61000-6-1:2001
Klaus Leberitz
Harman Consumer Group, Inc.
Château du Loir, France 4/08



www.jbl.com

**GRAND
TOURING®
SERIES**

**GT0508C
GT0608C
GT06508C
GT08608C
GT06583C
GT018T**



