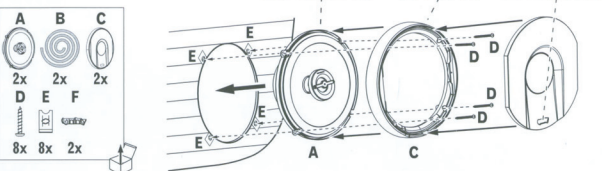
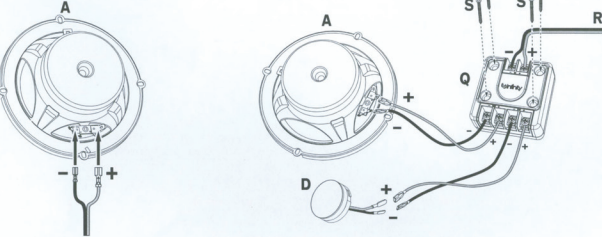


PR6502is/PR5002is



PR9603is/PR8602cf
PR6502is/PR5002is



Specifications	PR6500cs
Type:	6-1/2" two-way car audio component loudspeaker system
Peak power handling:	320W
Power handling, continuous average:	80W RMS
Recommended amplifier RMS power range:	5W - 200W
Frequency response:	53Hz - 21kHz
Nominal impedance:	3 ohms
Sensitivity (2.83V/m):	93dB

Especificações	PR6500cs
Tipo:	6-1/2" sistema de altofalante do componente de áudio do carro de duas vias
Potência de áudio:	320 W
Potência de áudio, média contínua:	80 W RMS
Intervalo de energia RMS do amplificador recomendado:	5 W a 200 W
Resposta de frequência:	53 Hz a 21 kHz
Impedância nominal:	3 ohms
Sensibilidade (2,83 V/m):	93 dB

Specifications	PR6502is	PR9603is	PR5002is	PR8602cf
Type:	6-1/2" two-way car audio loudspeaker	6" x 9" three-way car audio loudspeaker	5-1/4" two-way car audio loudspeaker	6" x 8" / 5" x 7" two-way car audio loudspeaker
Peak power handling:	280W	360W	135W	180W
Power handling, continuous average:	70W RMS	90W RMS	45W RMS	60W RMS
Recommended amplifier RMS power range:	5W - 125W	5W - 200W	5W - 75W	5W - 125W
Frequency response:	53Hz - 21kHz	46Hz - 22kHz	67Hz - 21kHz	49Hz - 21kHz
Nominal impedance:	3 ohms	3 ohms	3 ohms	3 ohms
Sensitivity (2.83V/m):	93dB	94dB	92dB	93dB

GENERAL CARE: Clean the speaker grilles with a damp cloth. Do not use any cleaners or solvents on the grilles or on the speaker units.
WARRANTY: Primus series speakers are warranted against defects. The duration of the speaker's warranty depends on the laws in the country in which it was purchased. Your local Infinity® car audio retailer can help you determine the length of your warranty. To register your product, please go to www.infinitysystems.com.

Especificações	PR6502is	PR9603is	PR5002is	PR8602cf
Tipo:	6-1/2" altofalante de áudio de carro de duas vias	6" x 9" altofalante de áudio de carro de três vias	5-1/4" altofalante de áudio de carro de duas vias	6" x 8" / 5" x 7" altofalante de áudio de carro de duas vias
Potência de áudio:	280 W	360 W	135 W	180 W
Potência de áudio, média contínua:	70 W RMS	90 W RMS	45 W RMS	60 W RMS
Intervalo de energia RMS do amplificador recomendado:	5 W a 125 W	5 W a 200 W	5 W a 75 W	5 W a 125 W
Resposta de frequência:	53 Hz a 21 kHz	46 Hz a 22 kHz	67 Hz - 21 kHz	49 Hz - 21 kHz
Impedância nominal:	3 ohms	3 ohms	3 ohms	3 ohms
Sensibilidade (2,83 V/m):	93 dB	94 dB	92 dB	93 dB

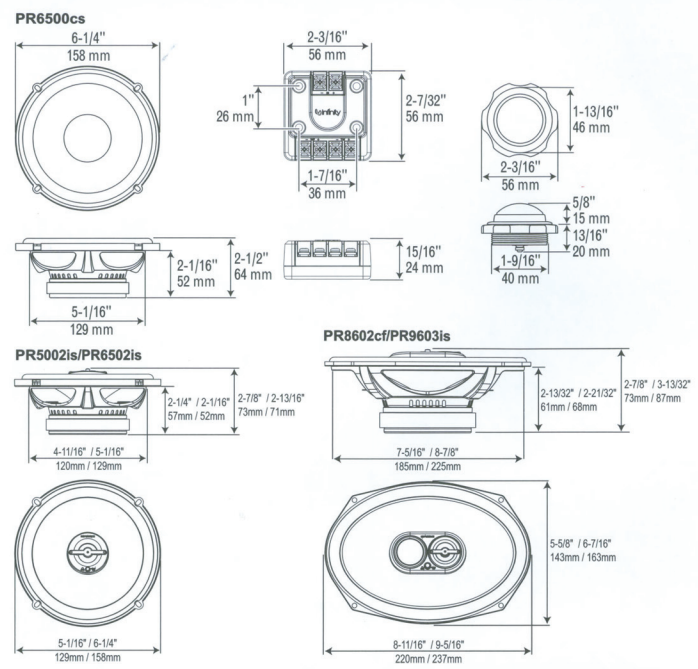
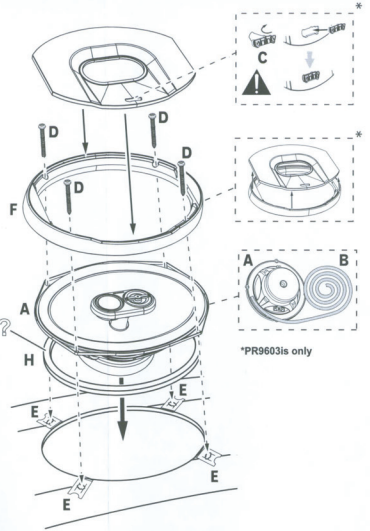
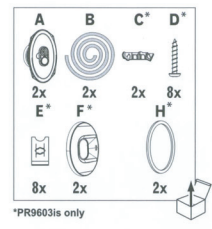
CUIDADO GERAL: Limpe as grades do altofalante com um pano úmido. Não use limpadores ou solventes nas grades ou nas unidades do altofalante.
GARANTIA: Altofalantes da série de Primus são garantidos contra defeitos. A duração da garantia do altofalante depende das leis no país no qual ele foi comprado. Seu revendedor local de áudio de carro Infinity® pode ajudá-lo a determinar a duração da sua garantia. Para registrar o seu produto, acesse www.infinitysystems.com.

HARMAN HARMAN International Industries, Incorporated
8500 Balboa Boulevard, Northridge, CA 91329 USA

© 2014 HARMAN International Industries, Incorporated. All rights reserved.
 Infinity is a trademark of HARMAN International Industries, Incorporated, registered in the United States and/or other countries.
 Features, specifications and appearance are subject to change without notice.

www.infinitysystems.com

PR9603is/PR8602cf



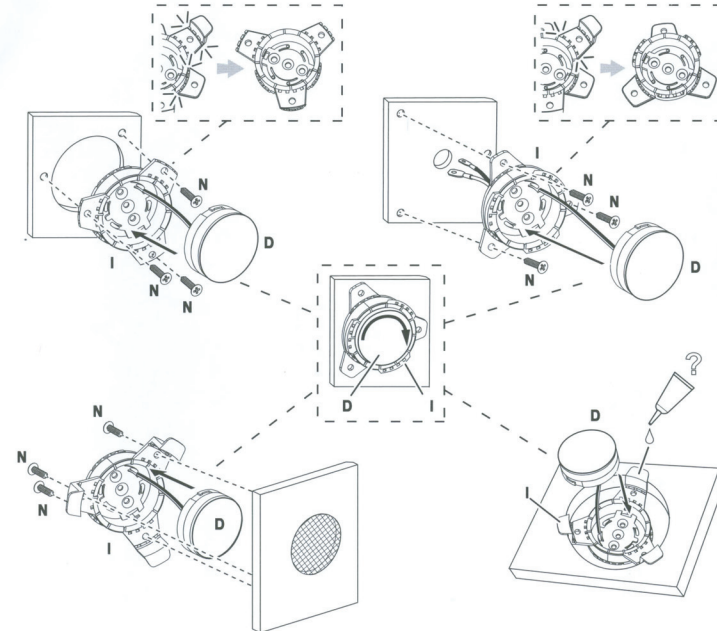
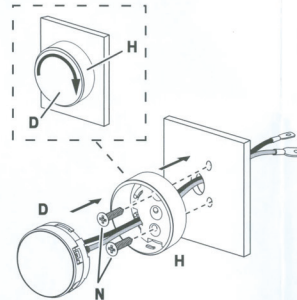
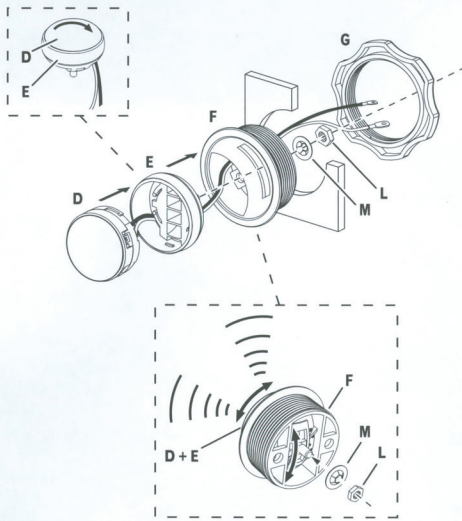
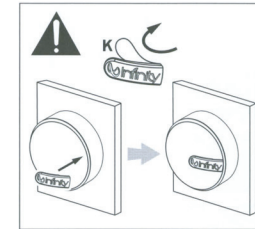
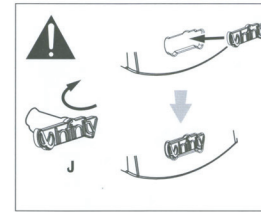
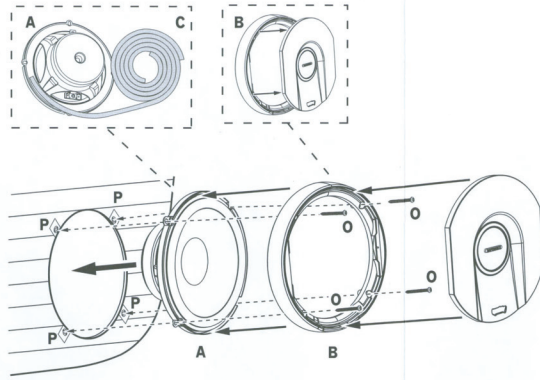
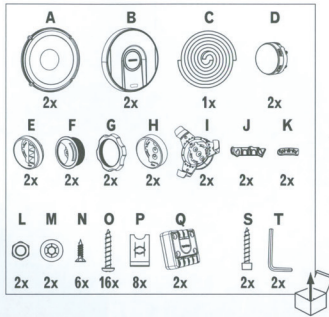
PRIMUS SERIES
PR5002is
PR6502is
PR8602cf
PR9603is
PR6500cs
 OWNER'S MANUAL



PRIMUS SERIES

PR5002is/PR6502is/PR8602cf/PR9603is/PR6500cs

PR6500cs



Торговая марка: Infinity
 Назначение товара: АВТОМОБИЛЬНАЯ АКУСТИЧЕСКАЯ СИСТЕМА
 Изготовитель: ХАРМАН ИНТЕРНЕШЛ ИНДАСТРИЗ ИНКОРПОРЕЙТЕД, США, 06901 КОННЕКТИКУТ, Г.СТЭМФОРД, АТЛАНТИК СТРИТ 400, ОФИС 1500
 Страна происхождения: Вьетнам
 Импортёр в Россию: ООО "ХАРМАН РУС СиАйЭс", РОССИЯ, 123317, МОСКВА, ПРЕСНЕНСКАЯ НАБ, Д.10
 Гарантийный период: 1 год
 Информация о сервисных центрах: тел. +7-800-700-0467
 Срок службы: 7 лет
 Срок хранения: не ограничен
 Условия хранения: Стандартные при нормальных значениях климатических факторов внешней среды
 Номер документа соответствия: Товар не подлежит обязательной сертификации. Информационное письмо от органа по сертификации «Ростест-Москва» (ЗАО «РОСТЕСТ») № 05-21/478 от 31.10.2013


Infinity
 by HARMAN®