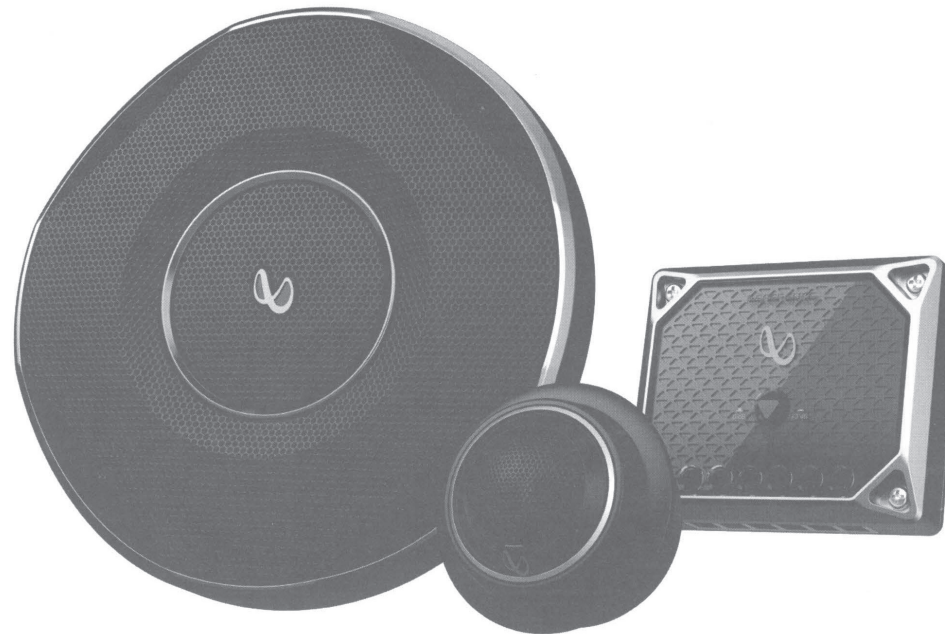


Infinity Reference speakers

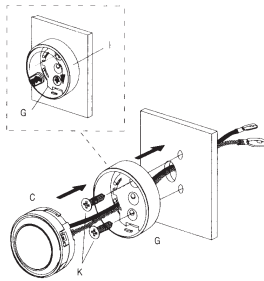
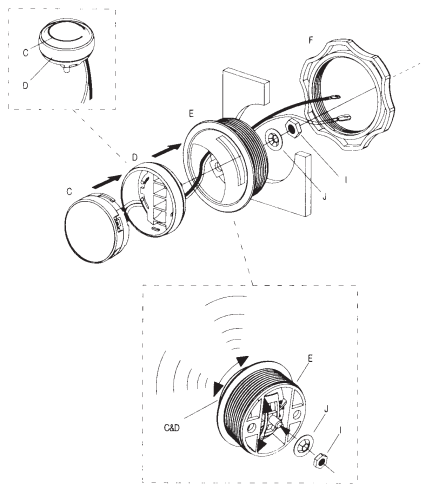
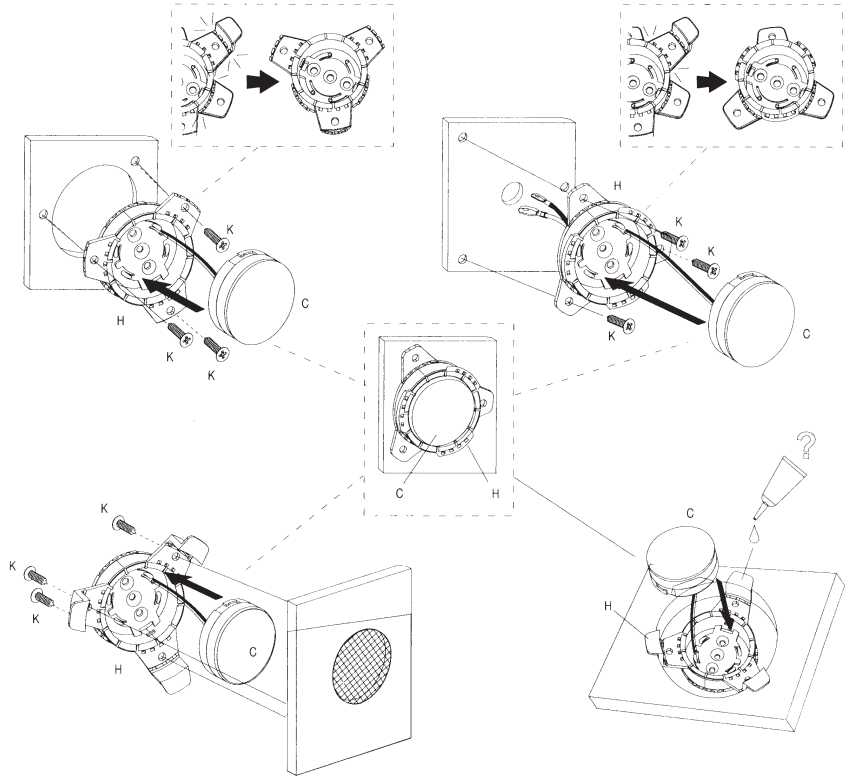
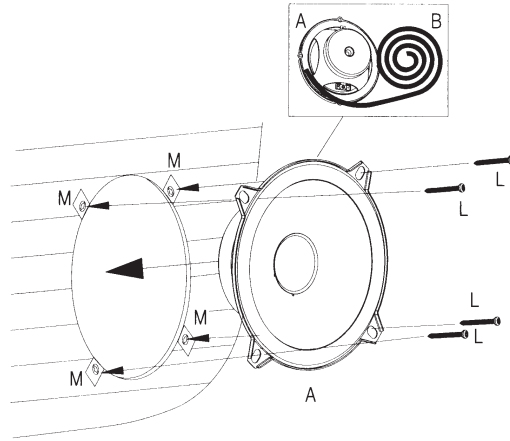
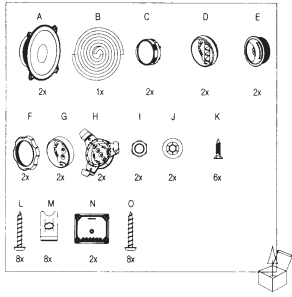


Car Audio Speaker
Haut-parleur audio automobile
Altavoz de audio para automóvil
Alto-falante automotivo
Fahrzeuglautsprecher
Diffusore Car Audio
Autoluidspreker
Bilstereohøytaler
Autokaiutin
Автомобильный динамик
Bilhögtalare
Bilhøjtaler
カーオーディオ・スピーカー
Głośnik samochodowy
카오디오 스피커
车载扬声器
汽車音響喇叭
Speaker Audio Mobil
Araba Ses Hoparlörü

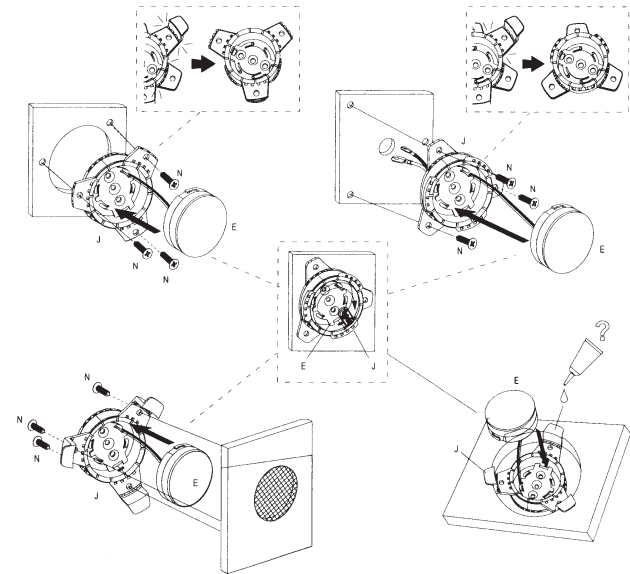
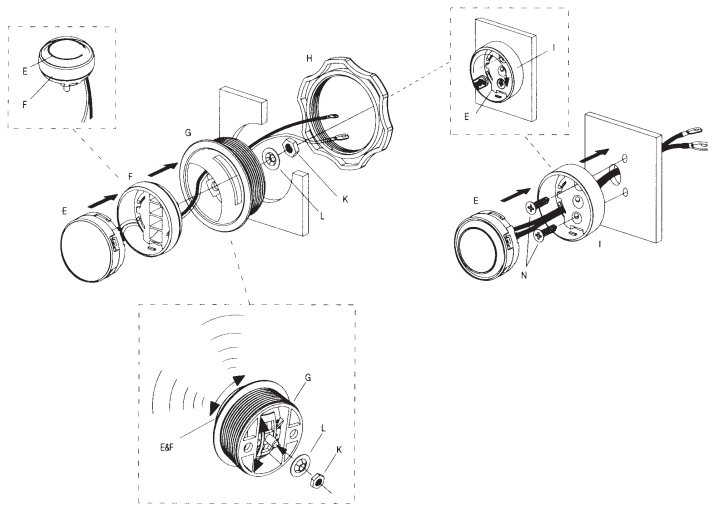
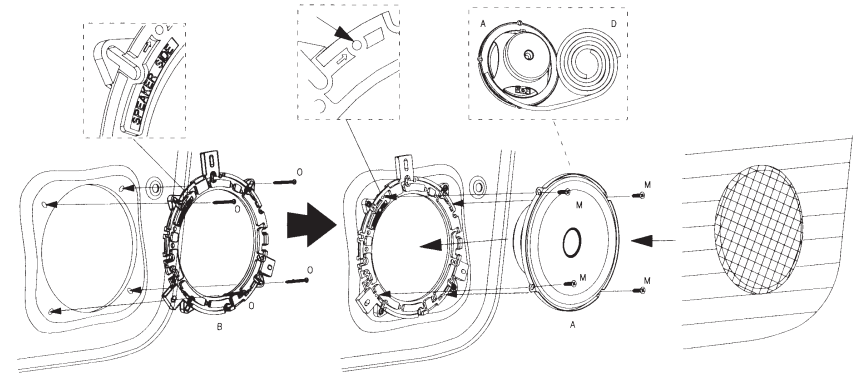
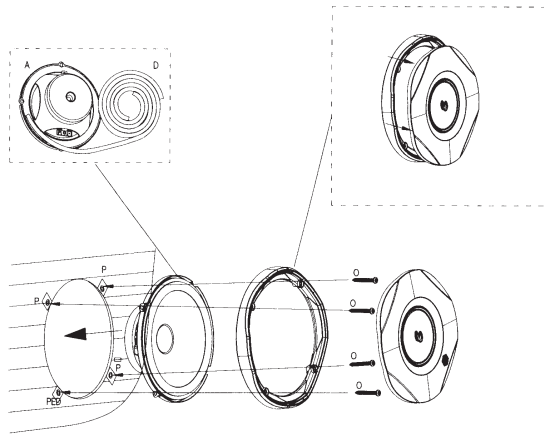
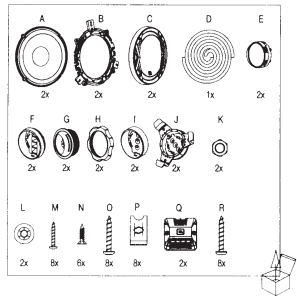


Installation manual
Manuel d'installation
Manual de instalación
Manual de instalação
Installationshandbuch
Manuale d'installazione
Installatiehandleiding
Installasjonsveiledning
Asennusopas
Руководство по установке
Installationsanvisning
Installationsmanual
設置マニュアル
Instrukcja instalacji
설치 설명서
安裝手冊
安裝手冊
Panduan instalasi
Kurulum kılavuzu

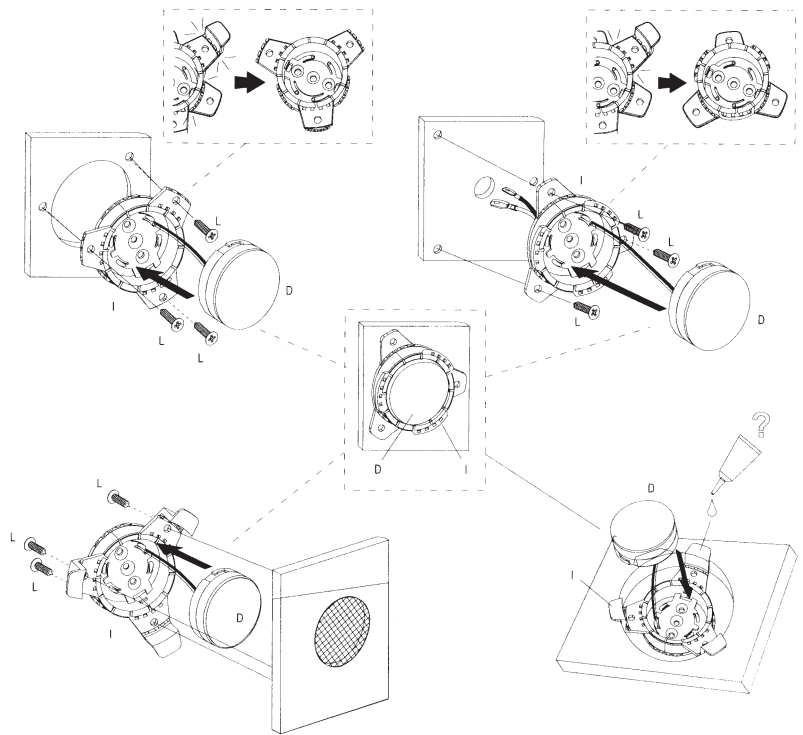
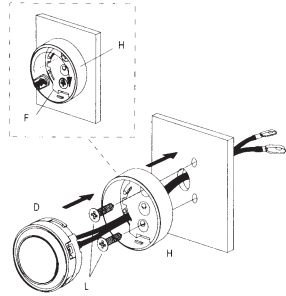
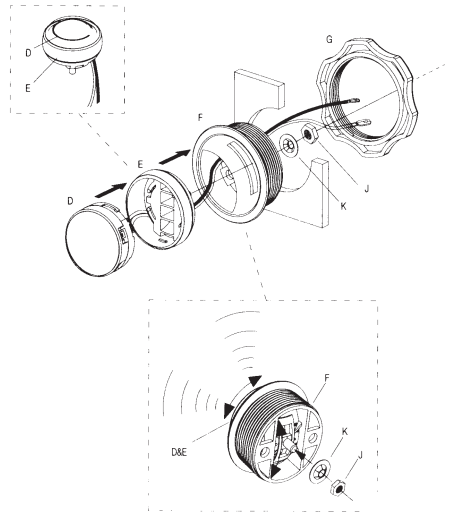
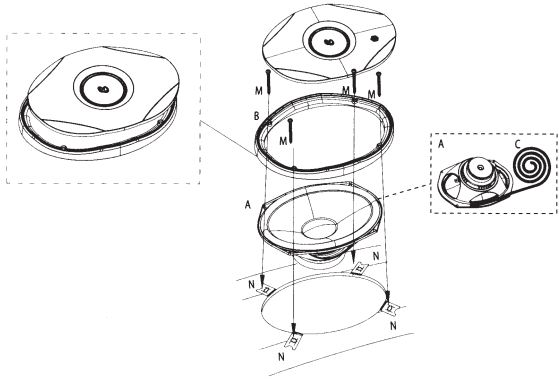
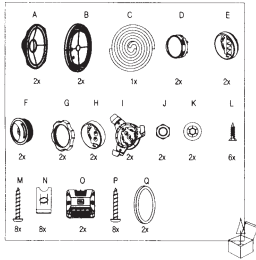
Ref-5020cx



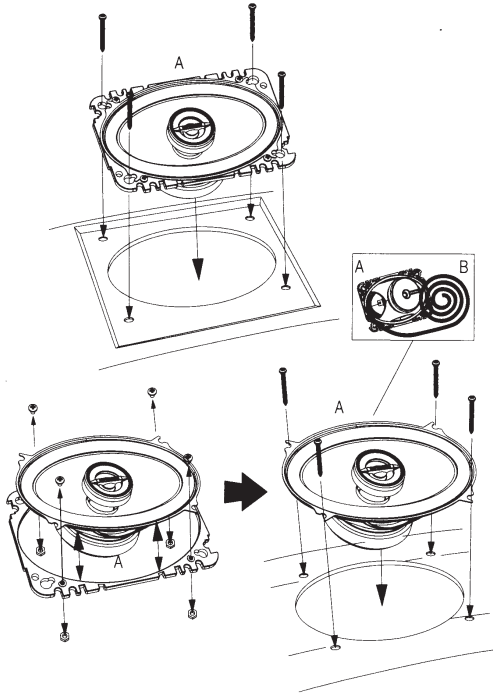
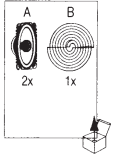
Ref-6520cx



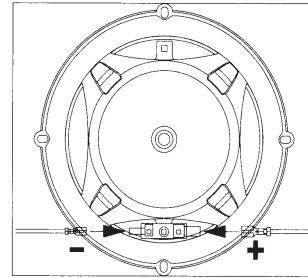
Ref-9620cx



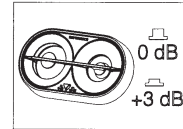
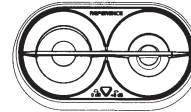
REF-6422cfx



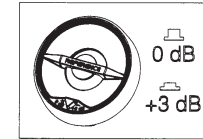
REF-3022cfx/REF-4022cfx
REF-5022cfx/REF-6522ix/REF-6522ex
REF-6422cfx/REF-8622cfx
REF-9622ix/REF-9623ix



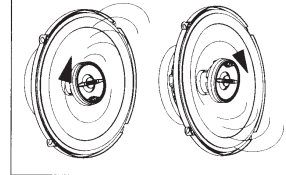
REF-9623ix



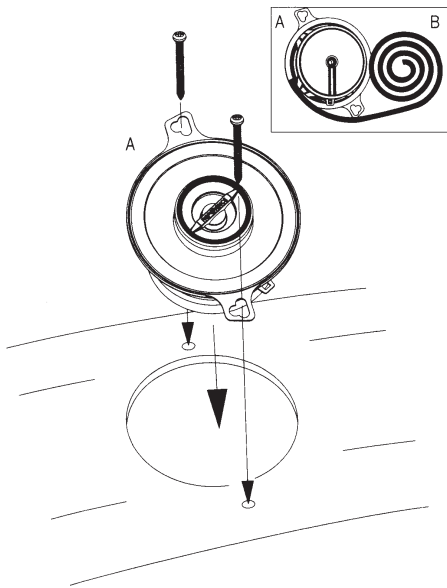
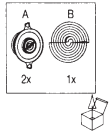
REF-6522ix/REF-8622cfx
REF-9622ix



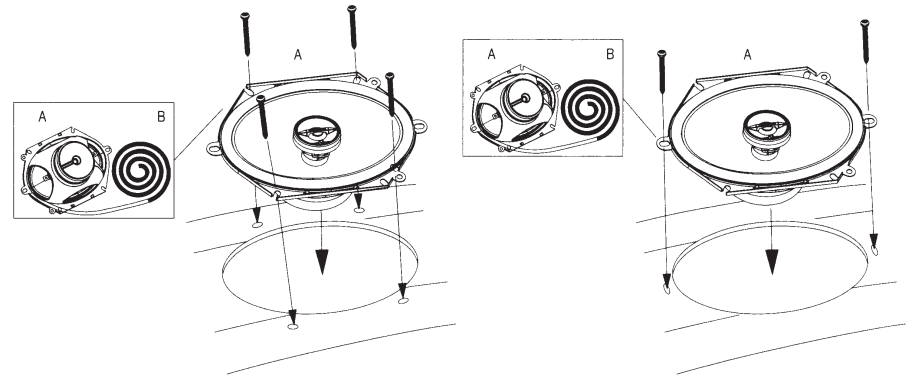
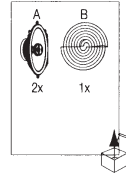
REF-6522ix/REF-8622cfx
REF-9622ix



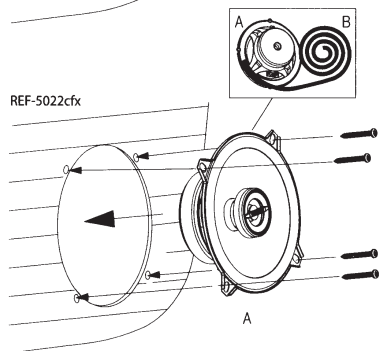
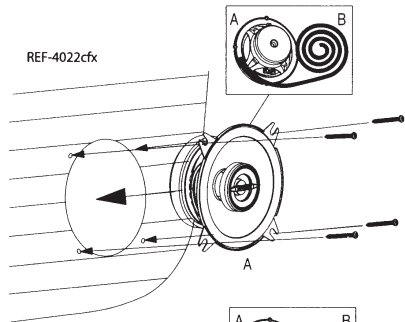
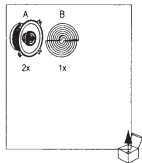
REF-3022cfx



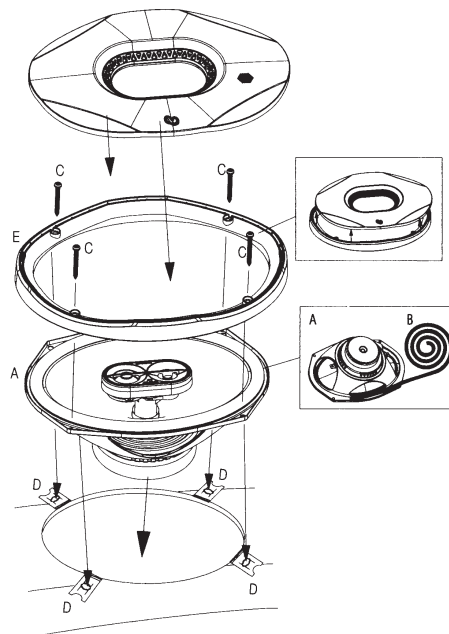
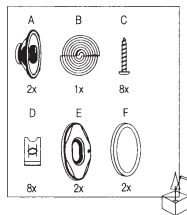
REF-8622cfx



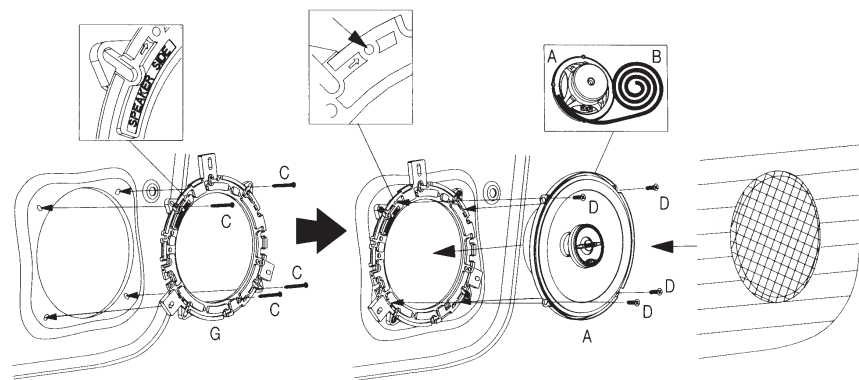
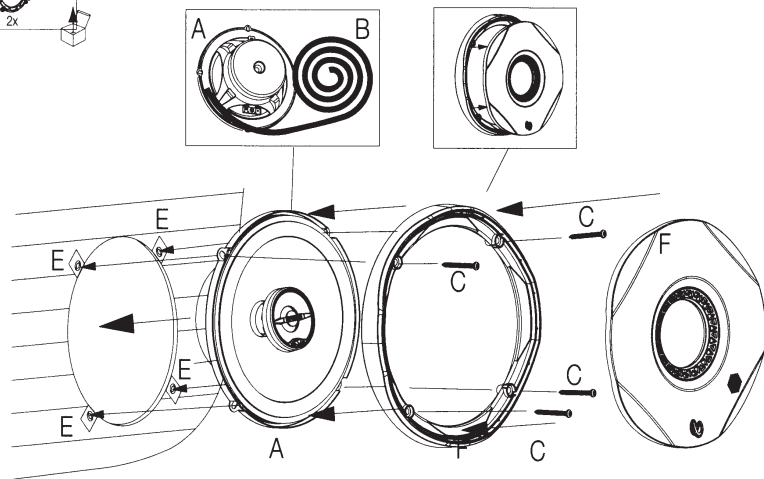
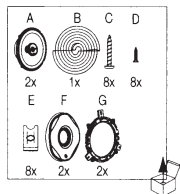
REF-4022cfx REF-5022cfx

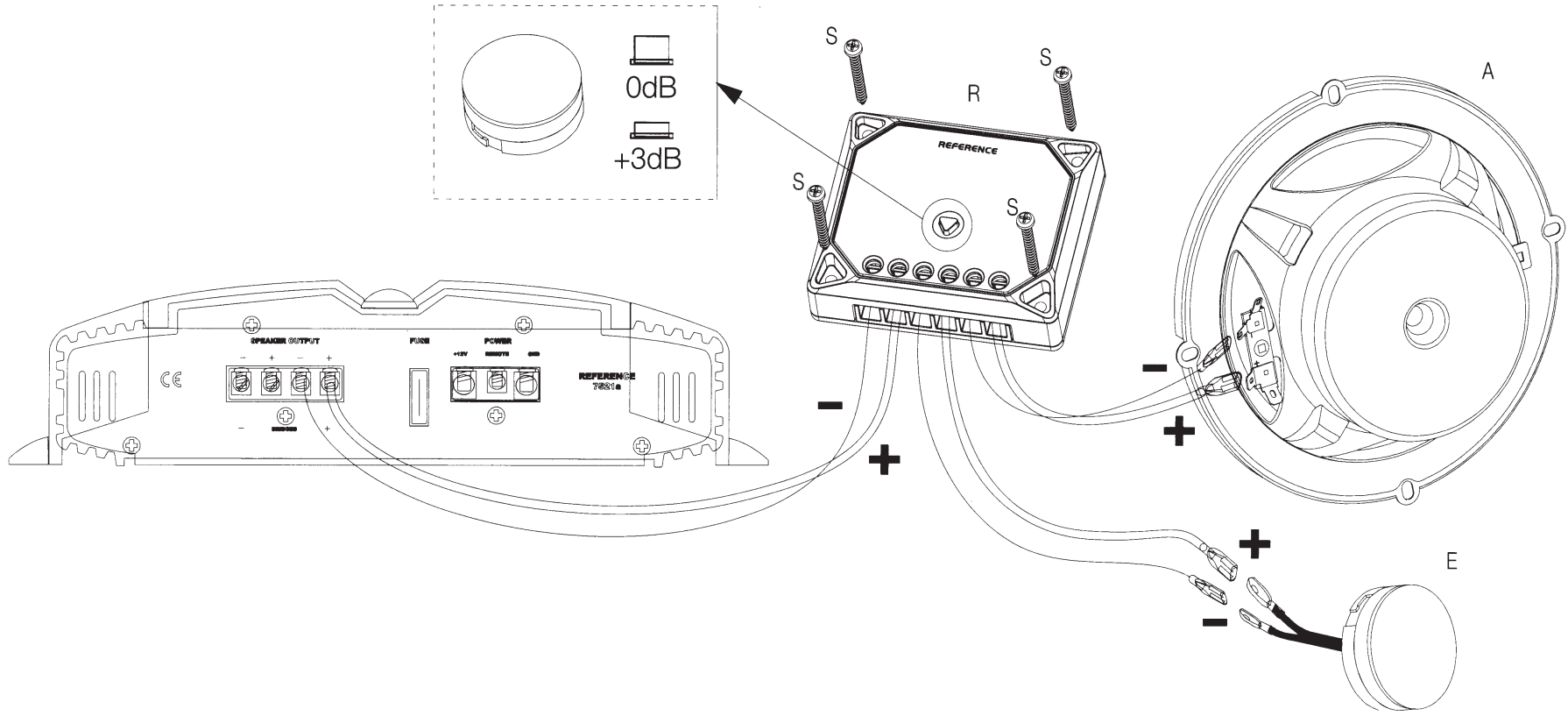


REF-9622ix REF-9623ix

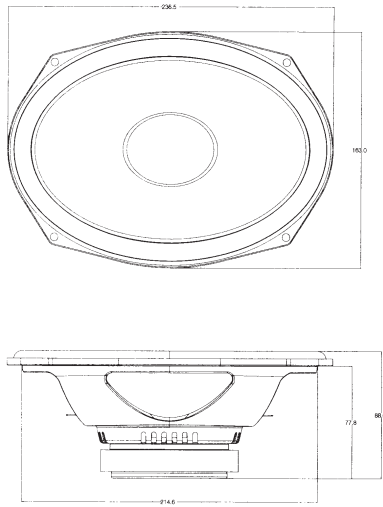


REF-6522ix REF-6522ex

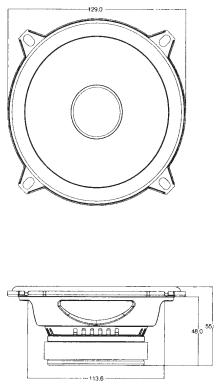




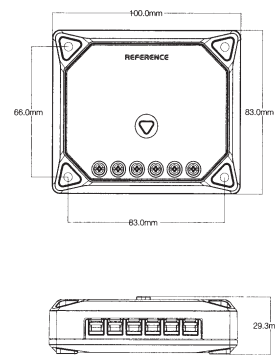
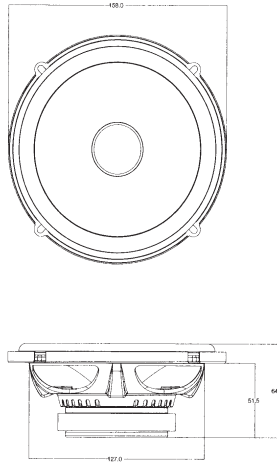
Ref - 9620cx



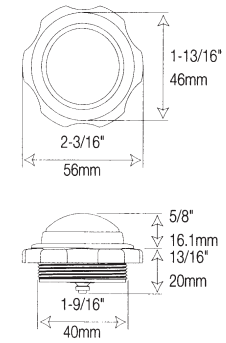
Ref - 5020cx



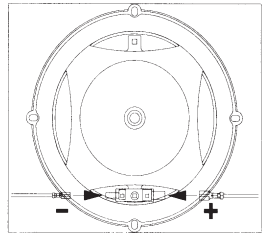
Ref - 6520cx



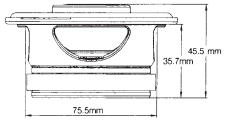
Ref - 275tx



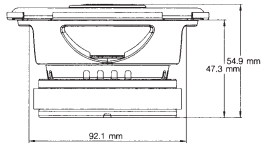
Ref 5020cx / Ref 6520cx
Ref 9620cx



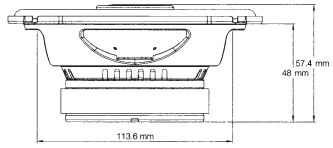
REF-3022cfx



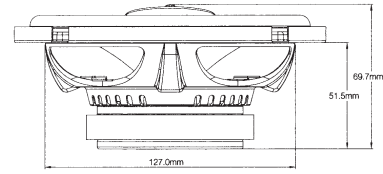
REF-4022cfx



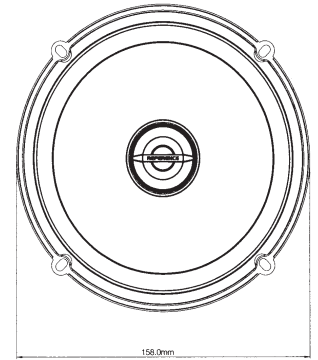
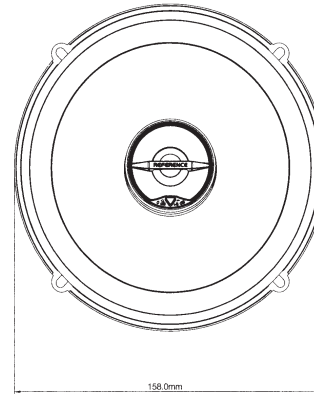
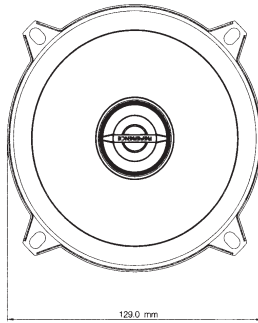
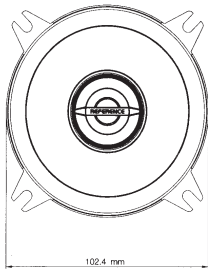
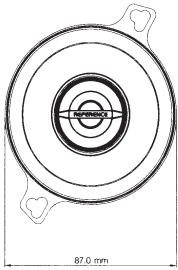
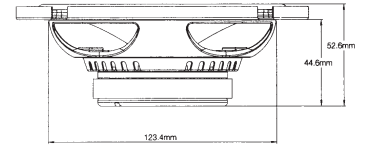
REF-5022cfx



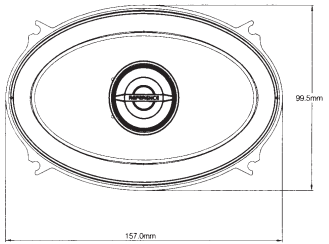
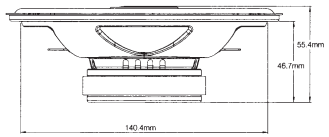
REF-6522ix



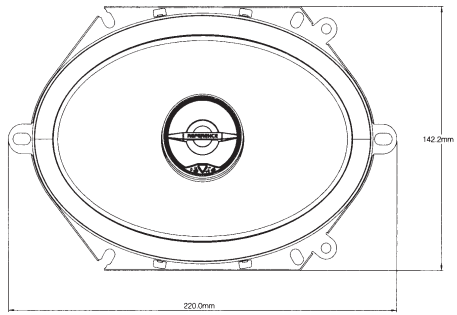
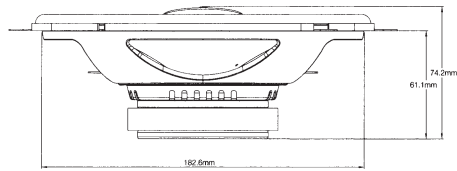
REF-6522ex



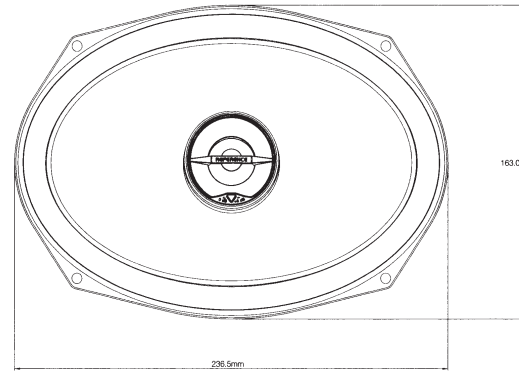
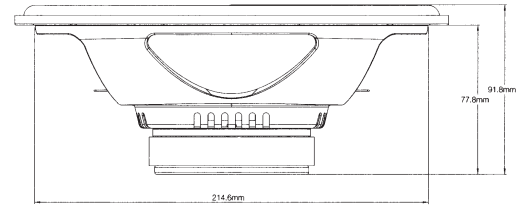
REF- 6422cfx



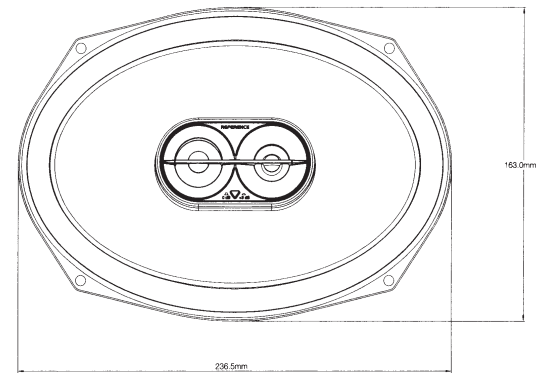
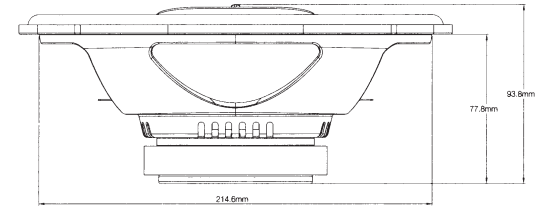
REF-8622cfx



REF-9622ix



REF-9623ix



SPECIFICATIONS	REF-6622ix	REF-9623ix	REF-3022cfx	REF-4022cfx	REF-6022cfx	REF-6422cfx	REF-8622cfx	REF-5020cx	REF-6520cx	REF-9620cx	REF-275bx	REF-6522ex	REF-9622ix
Type	6-1/2" (160mm) high performance coaxial car speaker	6" x 9" high performance three-way car speaker	3-1/2" (87mm) high performance coaxial car speaker	4" (100mm) high performance coaxial car speaker	5-1/4" (130mm) high performance coaxial car speaker	4" x 6" high performance coaxial car speaker	6" x 8" high performance coaxial car speaker	5-1/4" (130mm) high performance component speaker system	6-1/2" (160mm) high performance component speaker system	6" x 9" high performance component speaker system	3/4" (19mm) high performance EZFit coaxial car speaker	6-1/2" (160mm) high performance EZFit coaxial car speaker	6" x 9" high performance coaxial car speaker
Continuous power handling	60W	100W	25W	35W	45W	45W	60W	65W	90W	125W	45W	55W	100W
Peak power handling	180W	300W	75W	105W	135W	135W	180W	195W	270W	375W	135W	165W	300W
Frequency response	53Hz-21kHz	46Hz - 30kHz	85Hz-21kHz	75Hz-21kHz	67Hz-21kHz	75Hz-21kHz	49Hz-21kHz	67Hz-21kHz	53Hz-21kHz	46Hz - 21kHz	2.5kHz - 21kHz	57Hz-21kHz	48Hz - 20kHz
Nominal impedance	3.0ohms	3.0ohms	3.0ohms	3.0ohms	3.0ohms	3.0ohms	3.0ohms	3.0ohms	3.0ohms	3.0ohms	3.0ohms	3.0ohms	3.0ohms
Sensitivity (2.83V/1m)	93dB	94dB	91dB	92dB	92dB	92dB	93dB	93dB	93dB	93dB	93dB	93dB	94dB
External diameter	6-1/4" (158mm)	9-5/16" X 6-7/16" (236.5mm X 163mm)	3-7/16" (87mm)	4-1/16" (102.4mm)	5-1/8" (129mm)	6-3/16" X 3-15/16" (157mm X 99.5mm)	8-11/16" X 5-5/8" (220mm X 142.2mm)	5-1/8" (129mm)	6-1/4" (158mm)	9-5/16" X 6-7/16" (236.5mm X 163mm)	2-1/4" (50mm)	6-1/4" (158mm)	9-5/16" X 6-7/16" (236.5mm X 163mm)
Mounting cutout diameter	5" (127mm)	8-1/2" X 5-3/4" (214.6mm X 144.6mm)	3" (75.5mm)	3-11/16" (92.1mm)	4-1/2" (113.8mm)	5-9/16" X 3-3/8" (140.4mm X 85.1mm)	7-1/4" X 5" (182.6mm X 125.6mm)	4-1/2" (113.8mm)	5" (127mm)	8-1/2" X 5-3/4" (214.6mm X 144.6mm)	1-5/8" (40mm)	4-7/8" (123.4mm)	8-1/2" X 5-3/4" (214.6mm X 144.6mm)
Total depth	2-3/4" (69.7mm)	3-3/4" (93.8mm)	1-13/16" (45.5mm)	2-3/16" (54.9mm)	2-5/16" (57.4mm)	2-3/16" (55.4mm)	2-15/16" (74.2mm)	2-3/16" (55mm)	2-9/16" (64.8mm)	3-1/2" (89mm)	1-7/16" (36.1mm)	2-1/8" (52.6mm)	3-5/8" (91.8mm)
Mounting depth	2-1/16" (51.5mm)	3-1/8" (77.8mm)	1-7/16" (35.7mm)	1-7/8" (47.3mm)	1-15/16" (48mm)	1-7/8" (46.7mm)	2-7/16" (61.1mm)	1-15/16" (48mm)	2-1/16" (51.5mm)	3-1/8" (77.8mm)	13/16" (20mm)	1-13/16" (44.6mm)	3-1/8" (77.8mm)

SPÉCIFICATIONS	REF-6622ix	REF-9623ix	REF-3022cfx	REF-4022cfx	REF-6022cfx	REF-6422cfx	REF-8622cfx	REF-5020cx	REF-6520cx	REF-9620cx	REF-275bx	REF-6522ex	REF-9622ix
Type	Haut-parleur automobile coaxial haute performances 160 mm (6-1/2")	Haut-parleur automobile trois voies hautes performances 152 mm x 229 mm (6" x 9")	Haut-parleur automobile coaxial haute performances 87 mm (3-1/2")	Haut-parleur automobile coaxial haute performances 100 mm (4")	Haut-parleur automobile coaxial haute performances 130 mm (5-1/4")	Haut-parleur automobile coaxial haute performances 152 mm x 229 mm (4" x 6")	Haut-parleur automobile coaxial haute performances 152 mm x 229 mm (6" x 8")	Système haut-parleur automobile composant hautes performances 130 mm (5-1/4")	Système haut-parleur automobile composant hautes performances 160 mm (6-1/2")	Système haut-parleur composite hautes performances 152 mm x 229 mm (6" x 9")	Haut-parleur aigu composite hautes performances 19 mm (3/4")	Haut-parleur automobile coaxial EZFit hautes performances 160 mm (6-1/2")	Haut-parleur automobile coaxial haute performances 160 mm (6-1/2")
Puissance admissible continue	60W	100W	25W	35W	45W	45W	60W	65W	90W	125W	45W	55W	100W
Puissance admissible crête	180W	300W	75W	105W	135W	135W	180W	195W	270W	375W	135W	165W	300W
Réponse en fréquence	53Hz-21kHz	46Hz - 30kHz	85Hz-21kHz	75Hz-21kHz	67Hz-21kHz	75Hz-21kHz	49Hz-21kHz	67Hz-21kHz	53Hz-21kHz	46Hz - 21kHz	2.5kHz - 21kHz	57Hz-21kHz	48Hz - 20kHz
Impédance nominale	3.0ohms	3.0ohms	3.0ohms	3.0ohms	3.0ohms	3.0ohms	3.0ohms	3.0ohms	3.0ohms	3.0ohms	3.0ohms	3.0ohms	3.0ohms
Sensibilité (2.83V/1m)	93dB	94dB	91dB	92dB	92dB	92dB	93dB	93dB	93dB	93dB	93dB	93dB	94dB
Diamètre externe	6-1/4" (158mm)	9-5/16" X 6-7/16" (236.5mm X 163mm)	3-7/16" (87mm)	4-1/16" (102.4mm)	5-1/8" (129mm)	6-3/16" X 3-15/16" (157mm X 99.5mm)	8-11/16" X 5-5/8" (220mm X 142.2mm)	5-1/8" (129mm)	6-1/4" (158mm)	9-5/16" X 6-7/16" (236.5mm X 163mm)	2-1/4" (50mm)	6-1/4" (158mm)	9-5/16" X 6-7/16" (236.5mm X 163mm)
Diamètre de découpe de montage	5" (127mm)	8-1/2" X 5-3/4" (214.6mm X 144.6mm)	3" (75.5mm)	3-11/16" (92.1mm)	4-1/2" (113.8mm)	5-9/16" X 3-3/8" (140.4mm X 85.1mm)	7-1/4" X 5" (182.6mm X 125.6mm)	4-1/2" (113.8mm)	5" (127mm)	8-1/2" X 5-3/4" (214.6mm X 144.6mm)	1-5/8" (40mm)	4-7/8" (123.4mm)	8-1/2" X 5-3/4" (214.6mm X 144.6mm)
Profondeur totale	2-3/4" (69.7mm)	3-3/4" (93.8mm)	1-13/16" (45.5mm)	2-3/16" (54.9mm)	2-5/16" (57.4mm)	2-3/16" (55.4mm)	2-15/16" (74.2mm)	2-3/16" (55mm)	2-9/16" (64.8mm)	3-1/2" (89mm)	1-7/16" (36.1mm)	2-1/8" (52.6mm)	3-5/8" (91.8mm)
Profondeur de montage	2-1/16" (51.5mm)	3-1/8" (77.8mm)	1-7/16" (35.7mm)	1-7/8" (47.3mm)	1-15/16" (48mm)	1-7/8" (46.7mm)	2-7/16" (61.1mm)	1-15/16" (48mm)	2-1/16" (51.5mm)	3-1/8" (77.8mm)	13/16" (20mm)	1-13/16" (44.6mm)	3-1/8" (77.8mm)



HARMAN International Industries, Inc.
8500 Balboa Boulevard, Northridge, CA 91329 USA

© 2015 HARMAN International Industries, Incorporated. All rights reserved.
Infinity is a trademark of HARMAN International Industries, Incorporated, registered in the United States and/or other countries.

www.infinity.com

Features, specifications and appearance are subject to change without notice.

© 2015 HARMAN International Industries, Incorporated. Все права защищены.
Infinity является торговой маркой Harman International Industries, Incorporated, зарегистрированной в США и/или других странах.

Функции, характеристики и внешний вид описываемых компонентов могут быть изменены без предварительного уведомления.



Торговая марка	: Infinity
Назначение товара	: Автомобильная акустическая система
Изготовитель	: Харман Интернешнл Индастриз Инкорпорейтед, США, 06901 Коннектикут, г.Стэмфорд, Атлантик Стрит 400, офис 1500
Страна происхождения	: Вьетнам
Импортер в Россию	: ООО "ХАРМАН РУС СиАйЭс", РОССИЯ, 127018, г.МОСКВА, УЛ. ДВИНЦЕВ, Д.12, КОРПУС 1
Гарантийный период	: 1 год
Информация о сервисных центрах	: www.harman.com/ru тел. +7-800-700-0467
Срок службы	: 5 лет
Срок хранения	: не ограничен
Условия хранения	: Стандартные при нормальных значениях климатических факторов внешней среды
Номер документа соответствия	: Товар не подлежит обязательной сертификации
Дата производства	: Дата изготовления устройства определяется по двум буквенным обозначениям из второй группы символов серийного номера изделия, следующих после разделительного знака «-». Кодировка соответствует порядку букв латинского алфавита, начиная с января 2010 года: 000000-MY0000000, где «M» - месяц производства (А - январь, В - февраль, С - март и т.д.) и «Y» - год производства (А - 2010, В - 2011, С - 2012 и т.д.).