

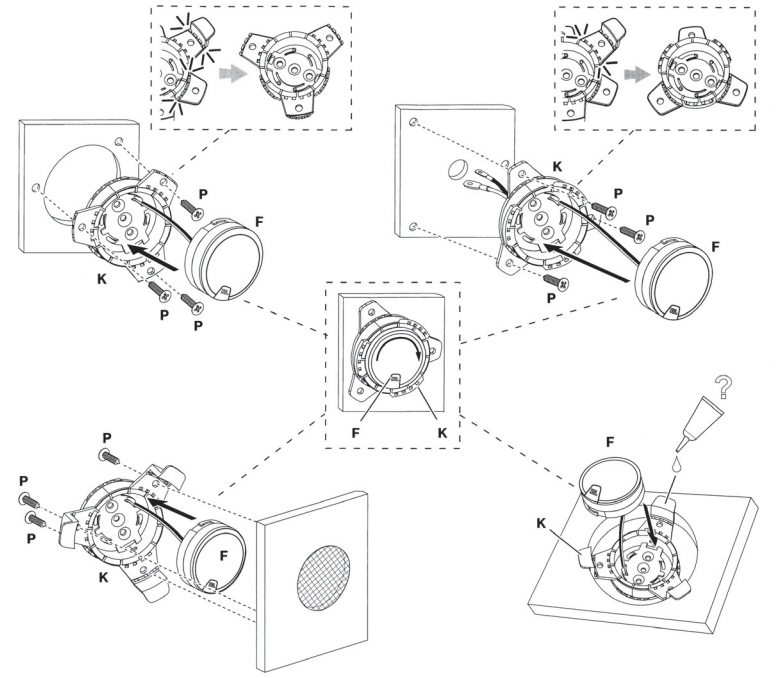
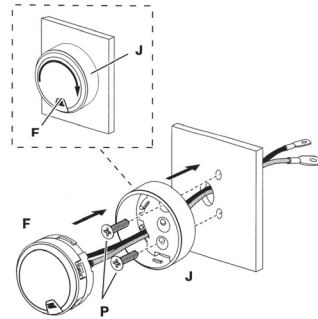
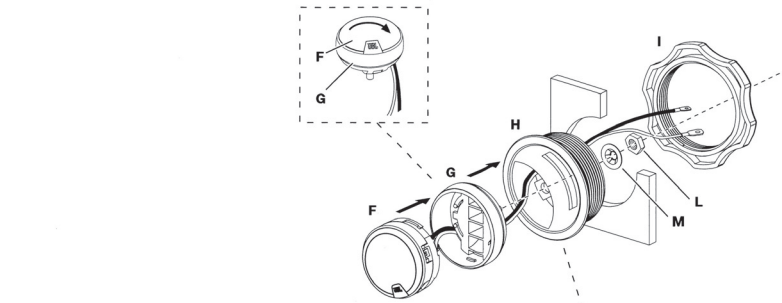
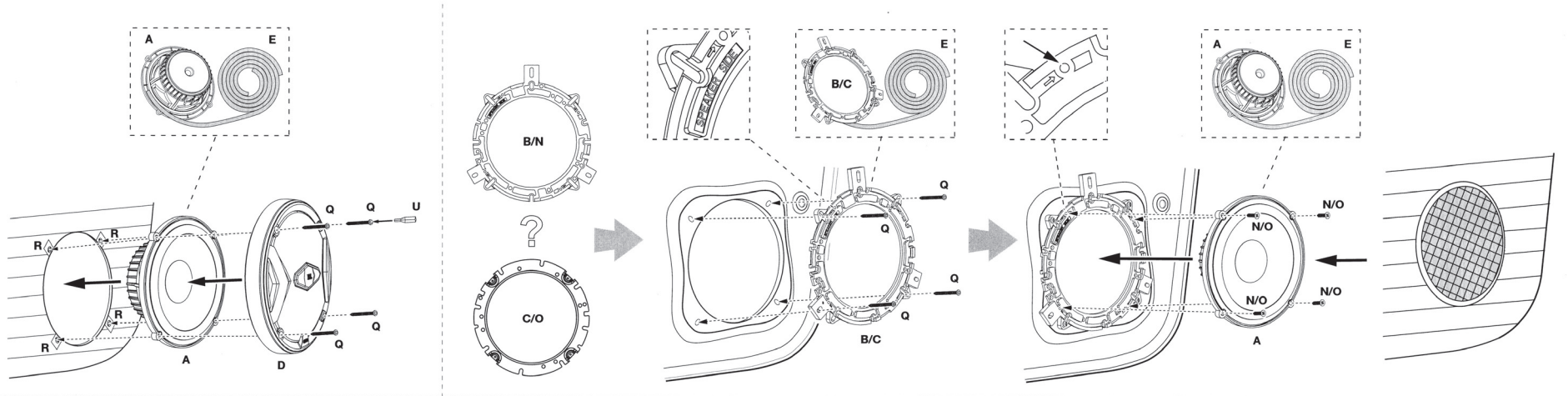


GRAND TOURING SERIES

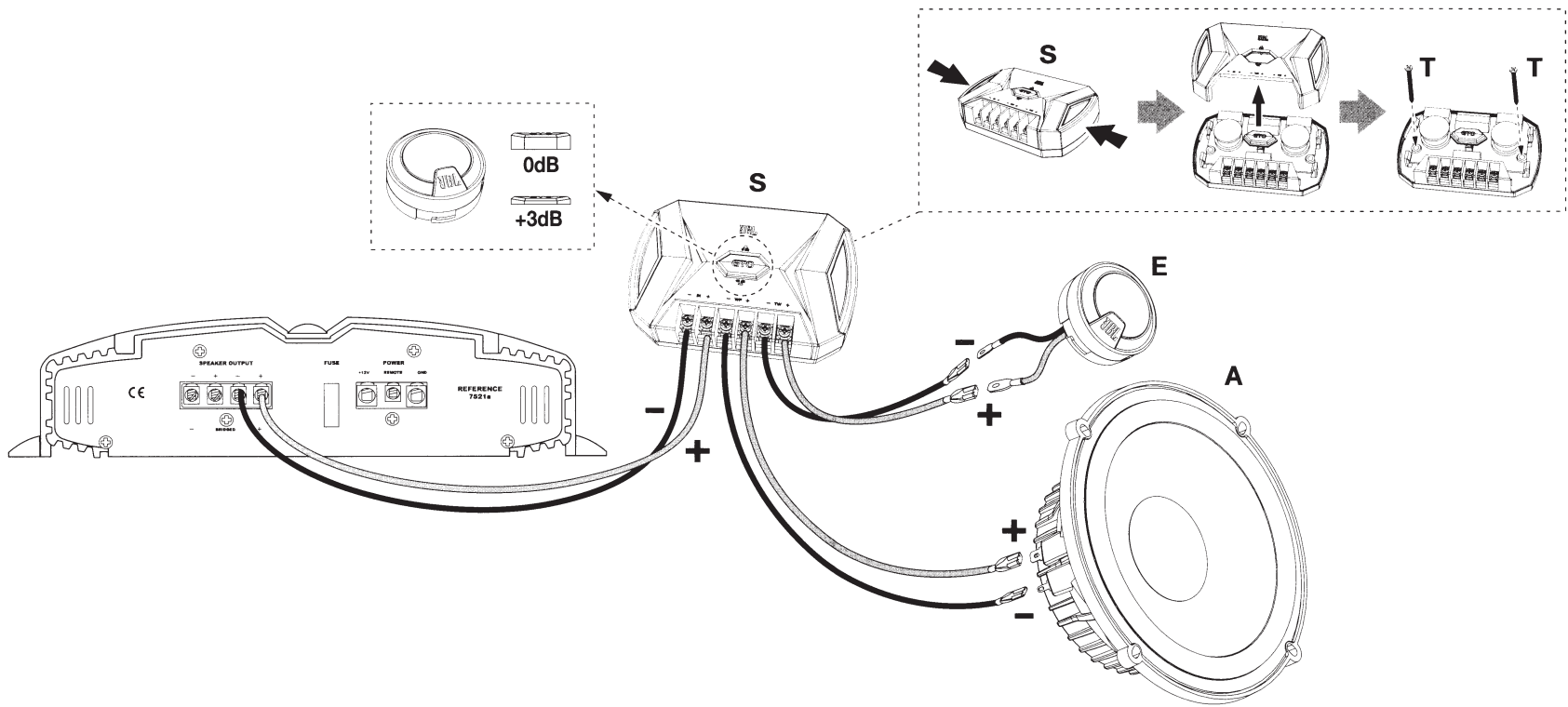
GTO 509C/GTO 609C
OWNER'S MANUAL

GRAND TOURING SERIES

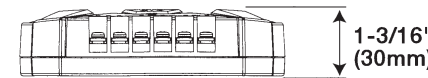
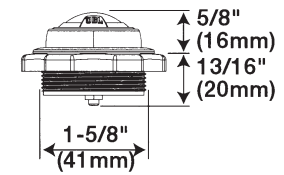
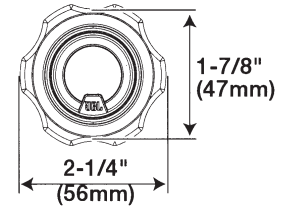
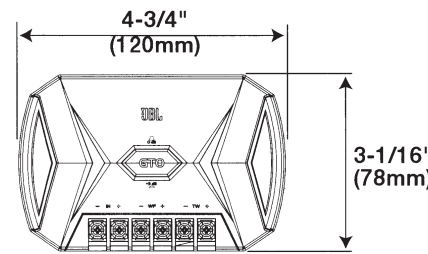
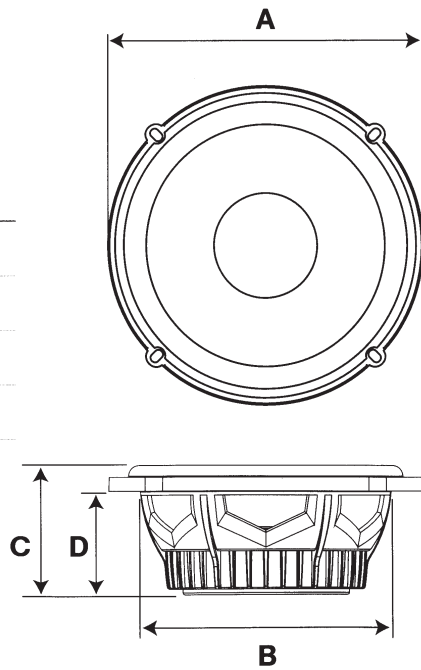
GTO 509C/GTO 609C



- | | | | | |
|----|------------------|------------------|----|----|
| | | | | |
| 2X | 2X
(GTO-609C) | 2X
(GTO-609C) | 2X | 1X |
| | | | | |
| 2X | 2X | 2X | 2X | 2X |
| | | | | |
| 2X | 2X | 8X | 8X | 8X |
| | | | | |
| 2X | 2X | 8X | 8X | 4X |
| | | | | |
| 1X | | | | |



	GTO 609C	GTO 509C
A	6-7/8" (175mm)	6-1/4" (158mm)
B	5" (127mm)	4-11/16" (118mm)
C	2-9/16" (65mm)	2-5/8" (66mm)
D	2-1/16" (52mm)	2-1/4" (57mm)



HARMAN

HARMAN International Industries, Incorporated
8500 Balboa Boulevard, Northridge, CA 91329 USA

© 2012 HARMAN International Industries, Incorporated. All rights reserved.

JBL and Grand Touring are trademarks of HARMAN International Industries, Incorporated, registered in the United States and/or other countries.

Features, specifications and appearance are subject to change without notice.

Part No. 950-0424-001 Rev. A

www.jbl.com