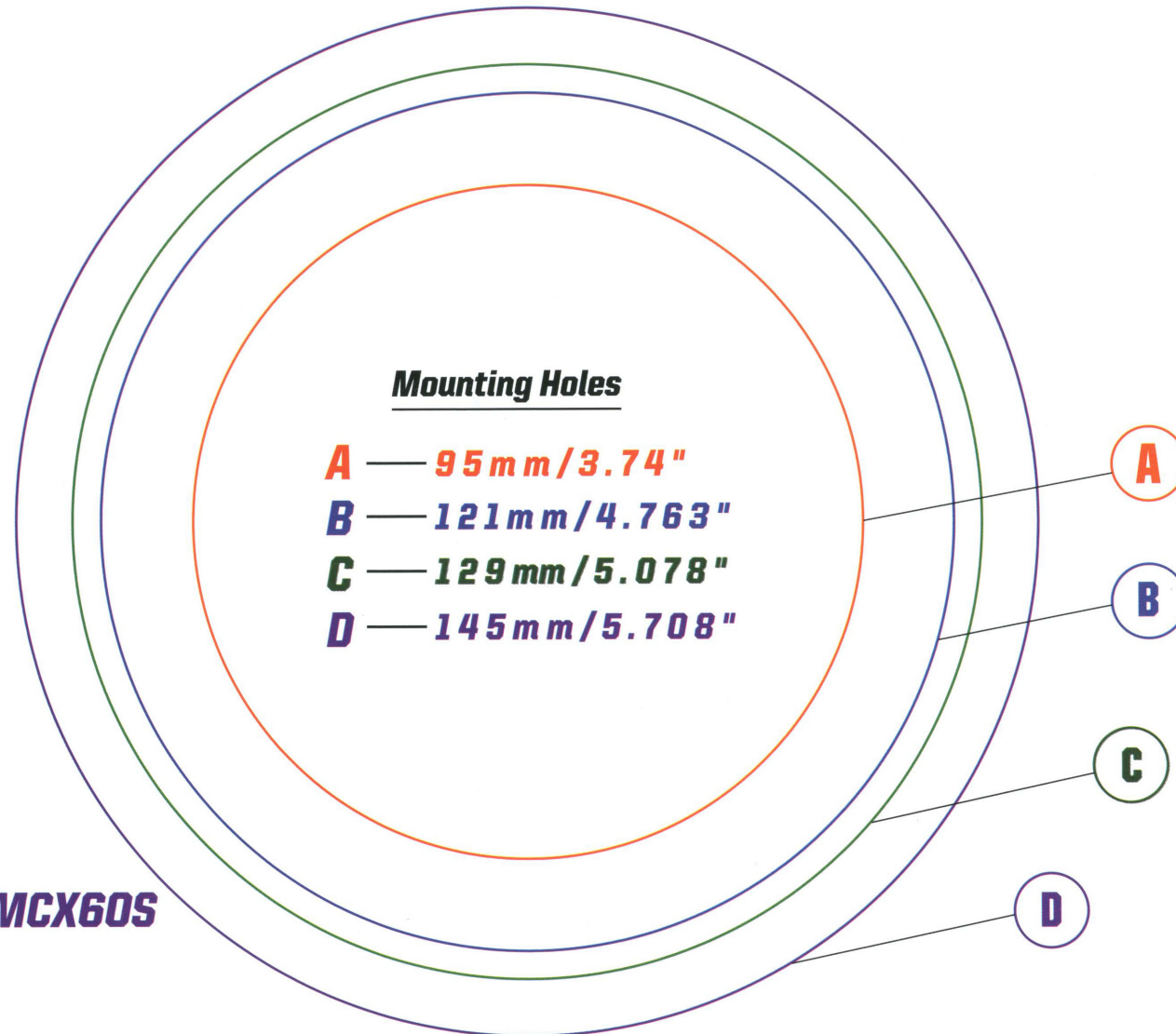


MCX4, MCX5, MCX6, MCX60/MCX60C/MCX60S Mounting Templates



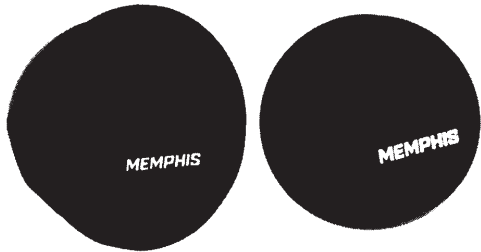
A = MCX4
B = MCX5
C = MCX6
D = MCX60/MCX60C/MCX60S

Tweeter Installation

Tweeters should be positioned high, preferably at ear level. Optimum performance will be obtained when tweeters are angled toward the listener. The included angled mount is an easy way to achieve this when door or dash mounting a tweeter.



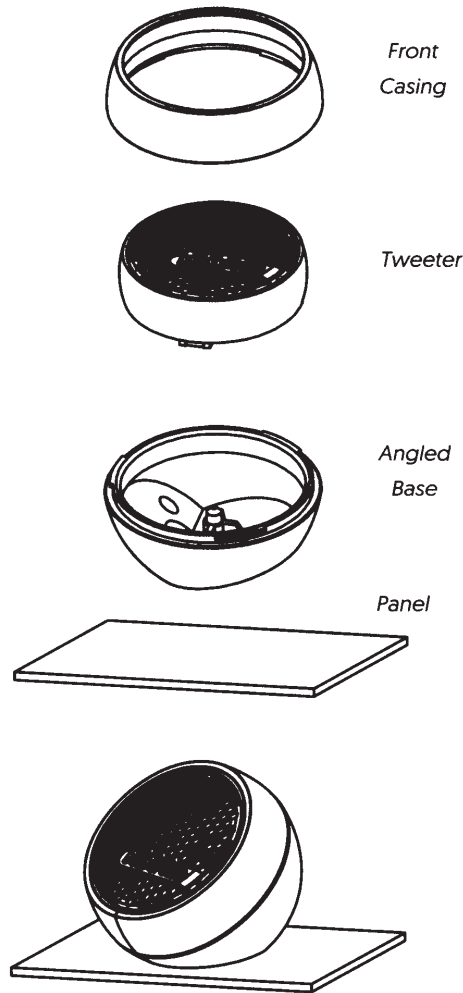
MEMPHIS



Established 1965, Memphis, TN, USA

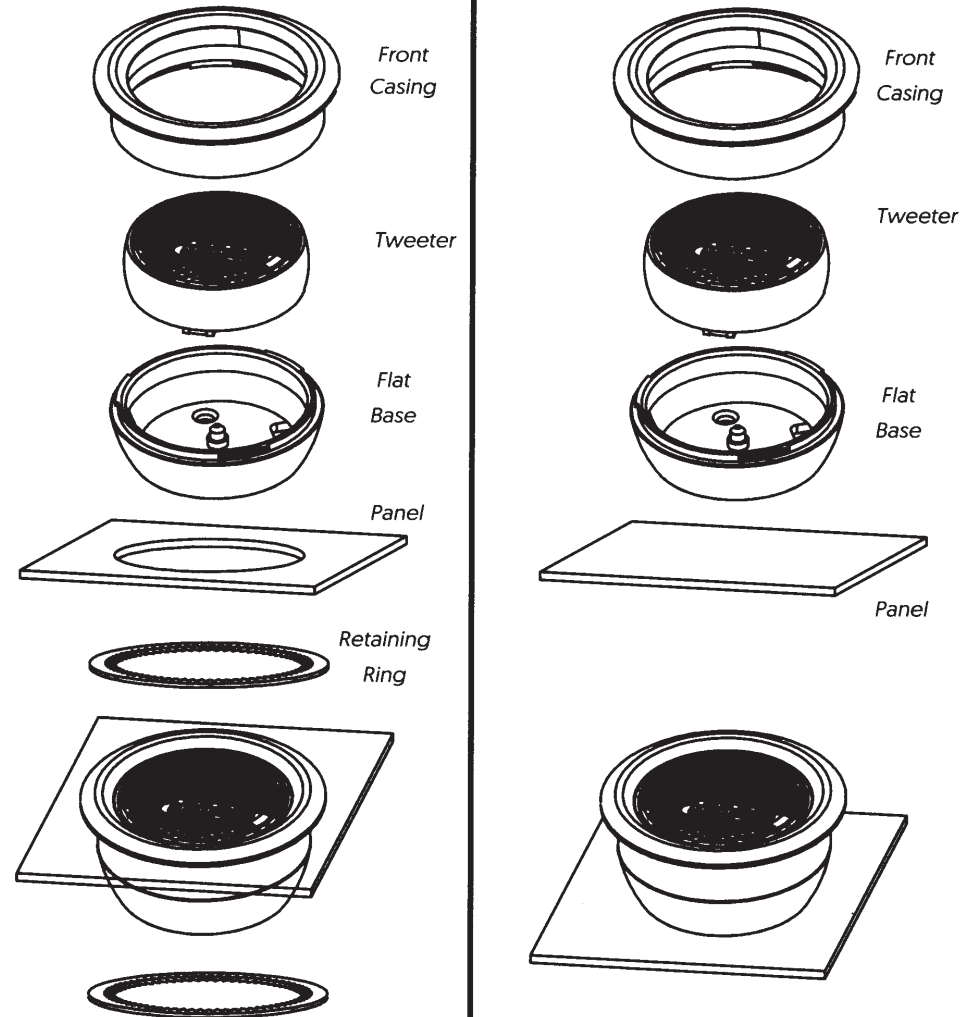
Angle Mount

When the surface you are mounting your tweeter to points away from the listener, use the included angle mount to direct the sound back towards the listener.



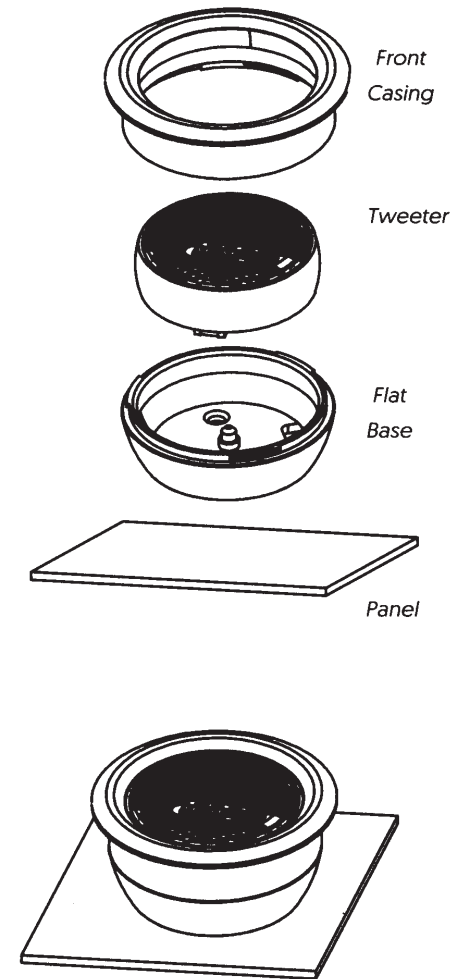
Flush Mount

The least conspicuous tweeter mounting option is a flush mount. The recessed design provides superior protection for the tweeter and it blends with the interior of your vehicle.



Surface Mount

When there is inadequate depth available for flush mounting, the surface mount option provides a convenient mounting solution.





6.5"+
Component Set



MCX60C
6.5" Component Speaker Set
M-CLASS

50/100 WATT
RMS / PEAK POWER



MEMPHIS

MCX60C Component Speaker Set

Memphis Audio
122 Gayoso Ave
Memphis, TN 38103

P. 800.489.2300
www.memphiscaraudio.com



FEATURES

- Oversided carbon fiber cone
- Separate tweeters
- Separate crossovers



MEMPHIS

SHOW US YOUR INSTALL!



MCX60C

Size (in)	6.5" +
RMS / PEAK (w)	50 / 100
Sensitivity (dB)	89
Magnet Size (oz)	13
Mounting Depth (in)	2.5

MClass Speaker Warranty

Memphis Audio offers a limited warranty on Memphis Audio products on the following terms:

Length of Warranty

Memphis Audio warranties this product for defects in material or workmanship for 3 years from the date of purchase when installed by an authorized Memphis Audio Dealer. If purchased from but not installed by an authorized dealer, the warranty is year. This warranty is void if the product has been physically damaged by improper use or abuse, or if repairs have been attempted outside of a Memphis Audio repair facility.

What Is Covered

This warranty applies only to Memphis Audio products sold to consumers by Authorized Memphis Audio Dealers in the United States of America or its possessions.

Who Is Covered

This warranty covers only the original purchaser of Memphis Audio product purchased from an Authorized Memphis Audio Dealer in the United States. In order to receive service, the purchaser must provide Memphis Audio with a copy of the receipt stating the consumer name, dealer name, product purchased, and date of purchase.

Products found to be defective during the warranty period will be repaired or replaced (with a product deemed to be equivalent) at Memphis Audio's discretion.

What Is Not Covered

1. Damage caused by accident, abuse, improper operation or installation, water, theft, shipping.
2. Any cost or expense related to the removal or reinstallation of product.
3. Service performed by anyone other than Memphis Audio.
4. Any product which has had the serial number defaced, altered, or removed.
5. Subsequent damage to other components.
6. Any product purchased outside the US.
7. Any product not purchased from an authorized Memphis Audio Dealer.

Limit on Implied Warranties

Any implied warranties including warranties of fitness for use and merchantability are limited in duration to the period of the express warranty set forth above. Some states do not allow limitations on the length of an implied warranty, so this limitation may not apply. No person is authorized to assume for Memphis Audio any other liability in connection with the sale of the product.

EU Warranty

This product meets the current EU warranty requirements. See your Authorized dealer for details.

How To Obtain Service

Contact the Authorized Memphis Audio Dealer you purchased this product from.

If you need further assistance, call 1-800-489-2300 for Memphis Audio's Customer Service.

YOU MUST OBTAIN A RETURN AUTHORIZATION (RA#) TO RETURN ANY PRODUCT TO MEMPHIS AUDIO'S WARRANTY FACILITY. NO PRODUCT WILL BE ACCEPTED WITHOUT THIS RETURN AUTHORIZATION!

You are responsible for shipment of product to Memphis Audio. Repaired and replaced product will be returned freight prepaid.

FOR MORE INFORMATION, PLEASE VISIT: WWW.MEMPHISCARAUDIO.COM