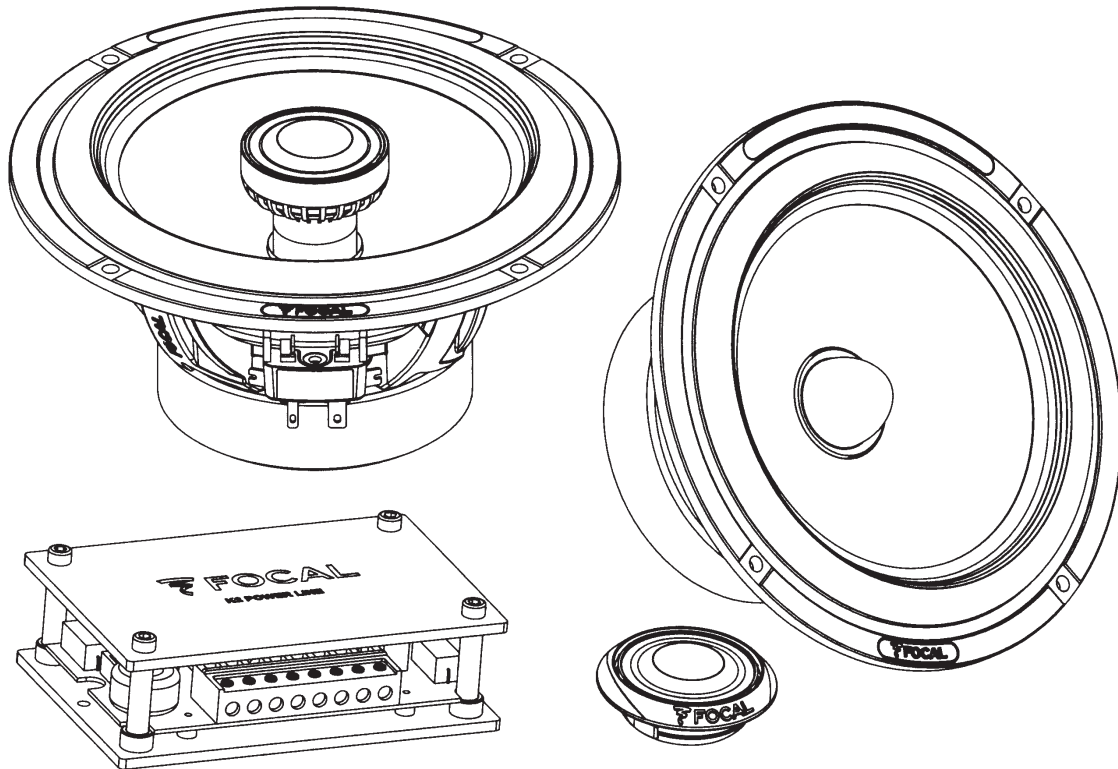


ELITE K2 POWER

Manuel d'utilisation / User manual



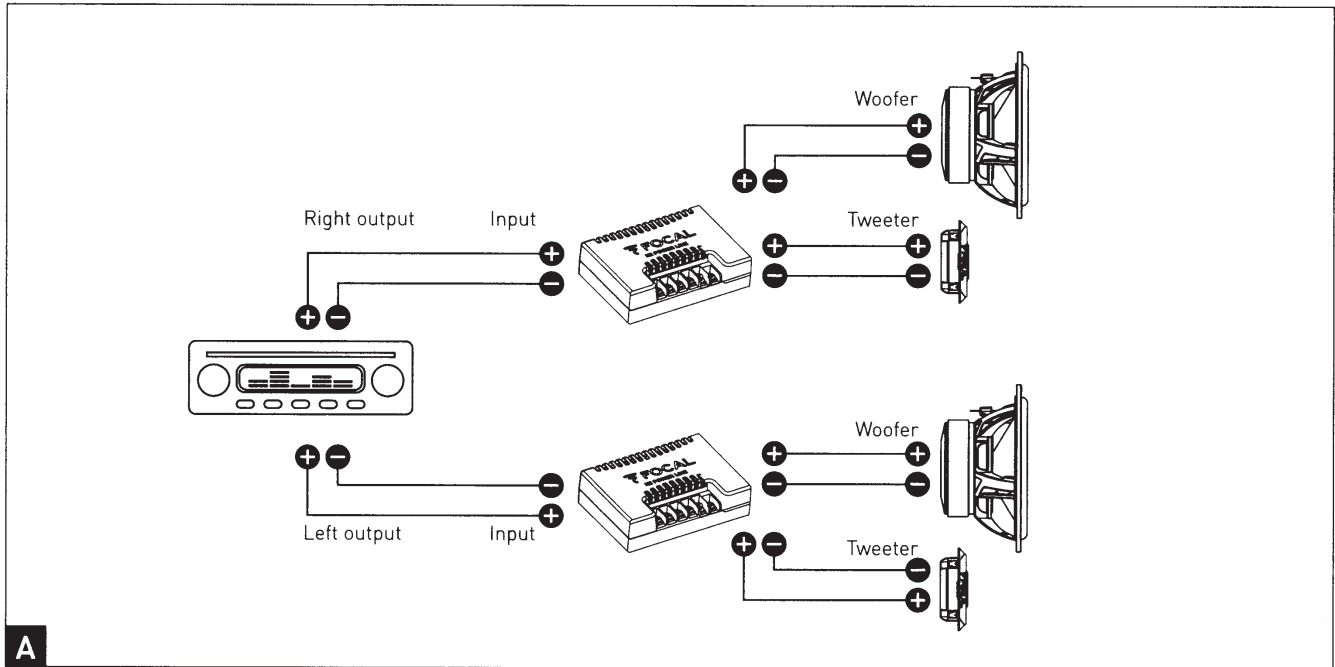
Français page 10
English page 13
Deutsch p 16
Italiano p 19
Español p 22
Português p 25
Nederlands p 28
Русский p 31
中文 第34页
日本語 第37页
한국어 페이지 (40)

ELITE K2 POWER

Manuel d'utilisation / User manual

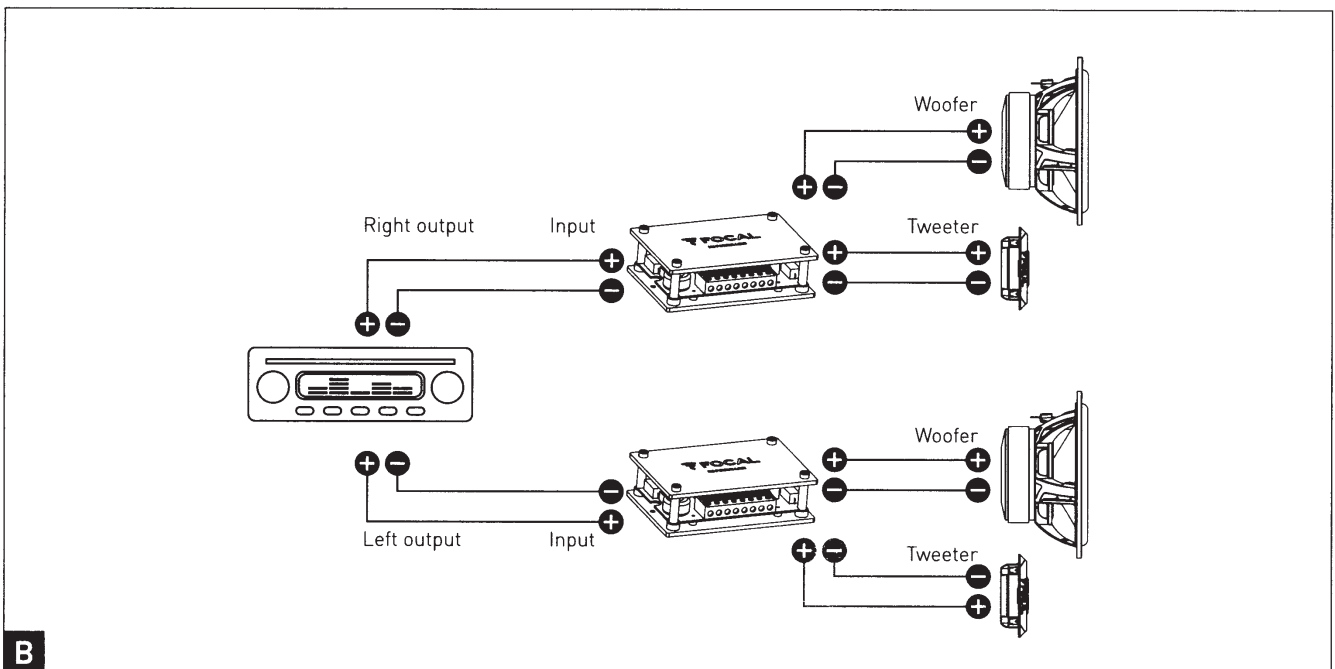
Kit connection 2 voies / 2 ways kits connections

ES 100K, ES 130K, ES 165K



A

ES 165K2, ES 165KX2

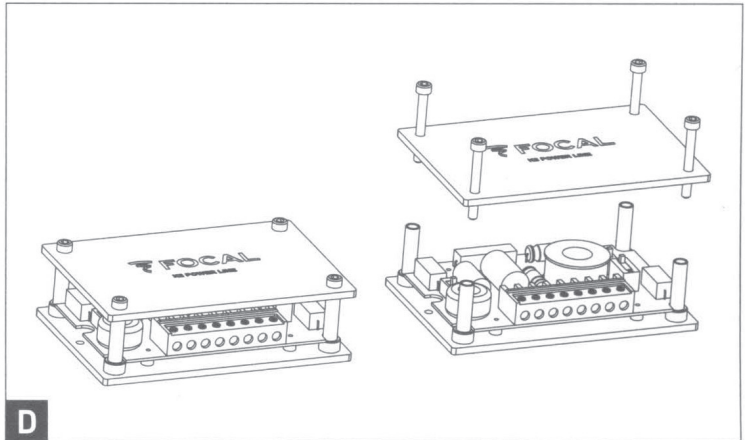
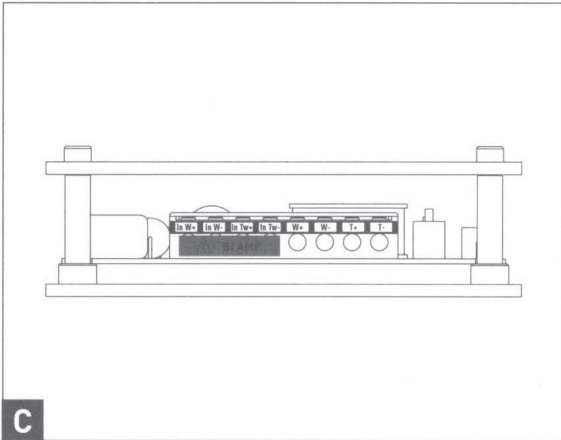


B

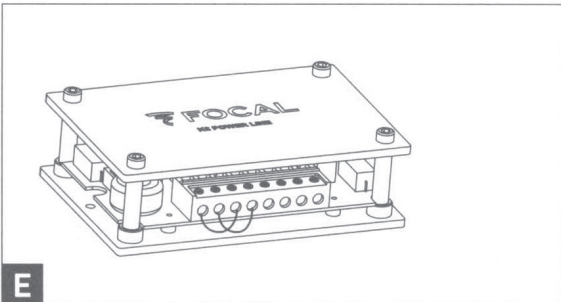
ELITE K2 POWER

Manuel d'utilisation / User manual

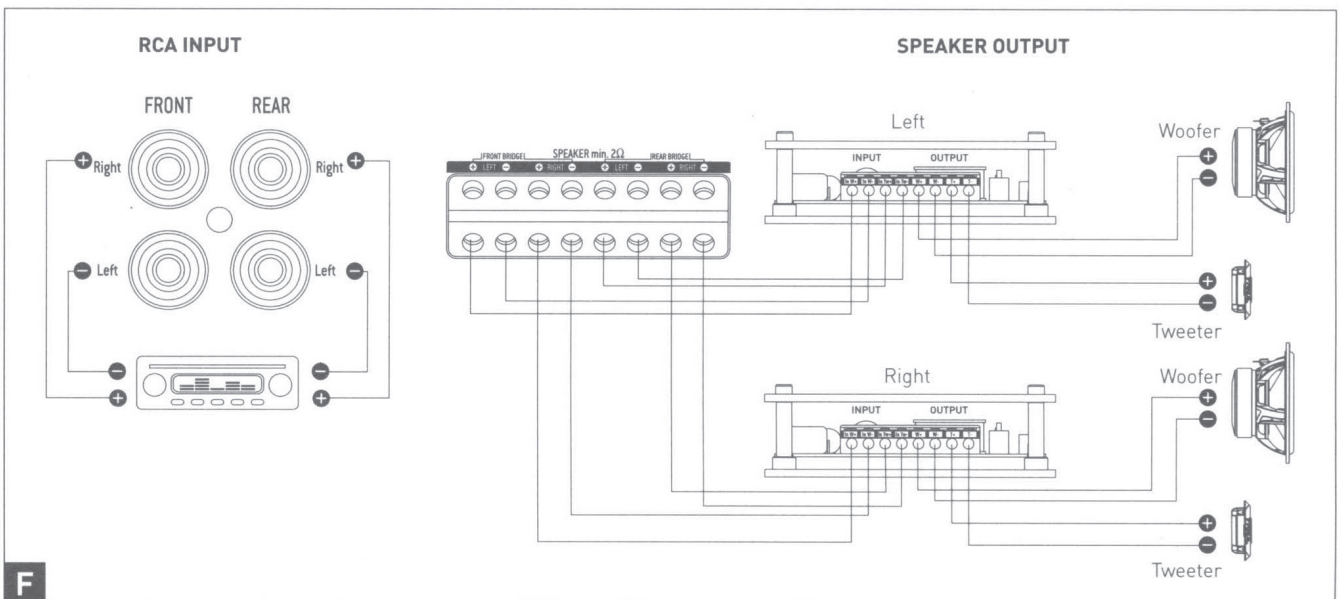
ES 165K2, ES 165KX2



ES 165K2, ES 165KX2



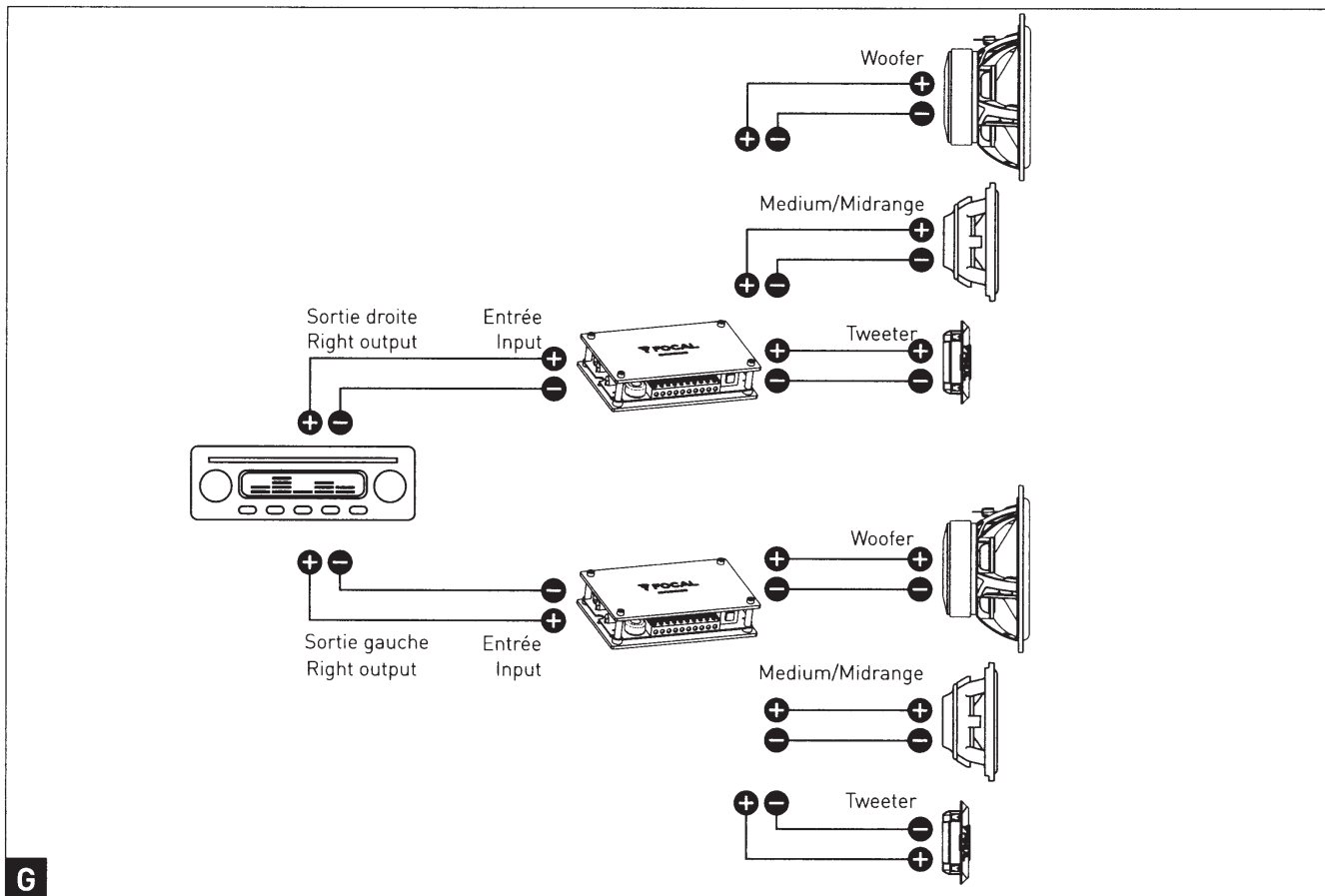
Connection kit 2 voies dans le cadre d'une bi-amplification / 2 ways kits connections, bi-amp using (4 channels amplifier)



ELITE K2 POWER

Manuel d'utilisation / User manual

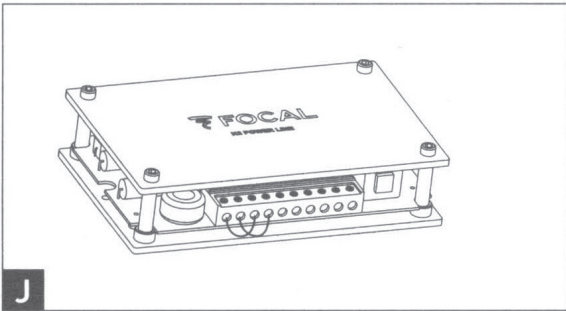
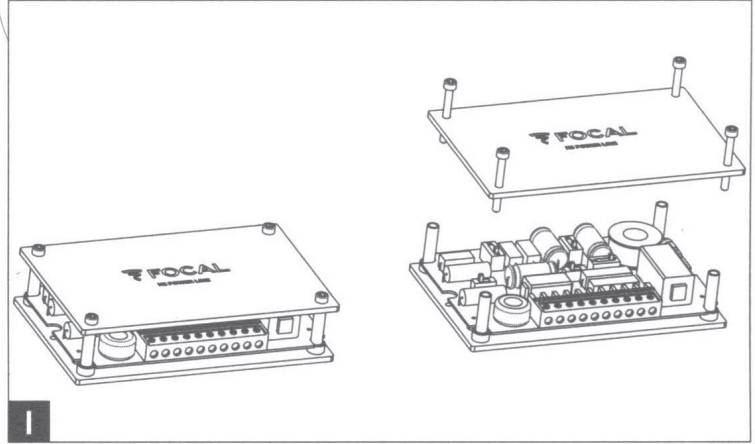
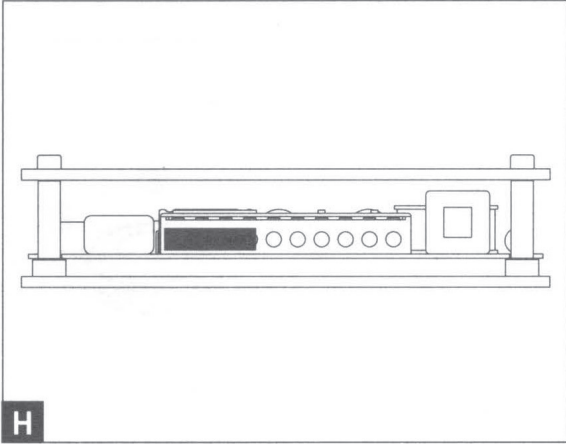
Kit connection 3 voies / 3 ways kits connections ES 165KX3



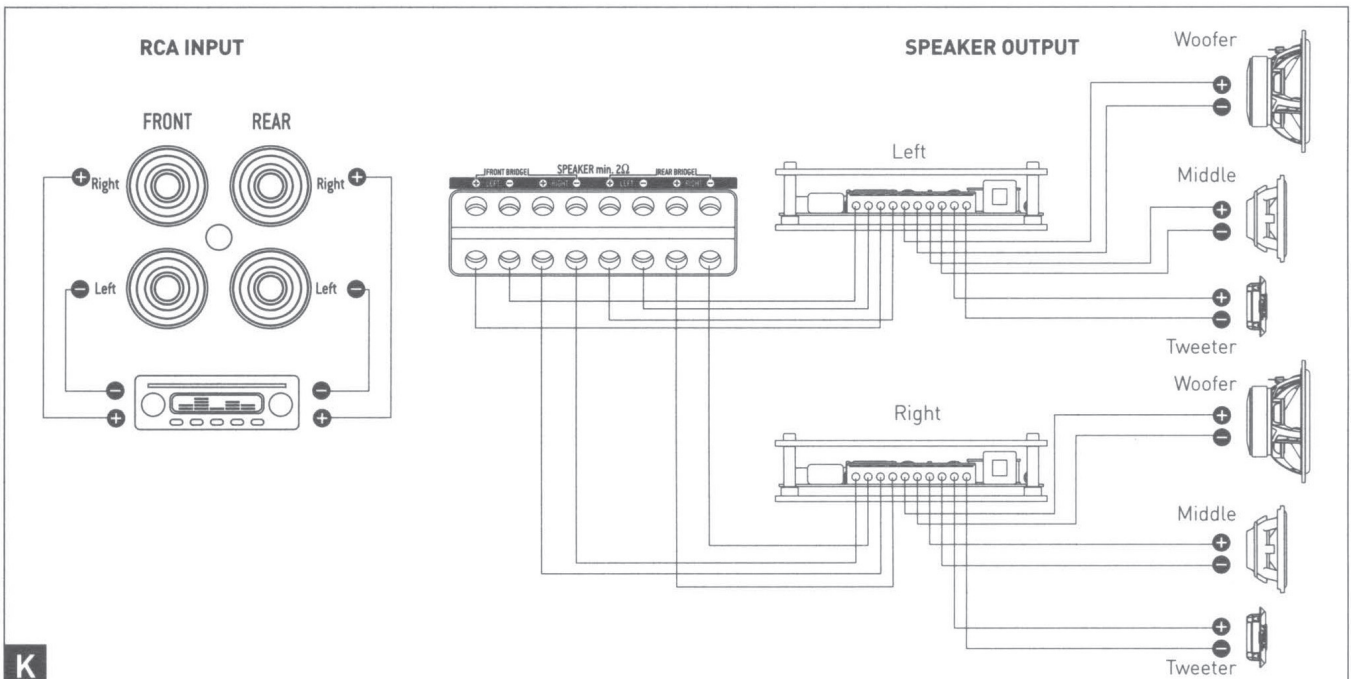
ELITE K2 POWER

Manuel d'utilisation / User manual

ES 165KX3



Connection kit 3 voies dans le cadre d'une bi-amplification / 3 ways kits connections, bi-amp using (4 channels amplifier)

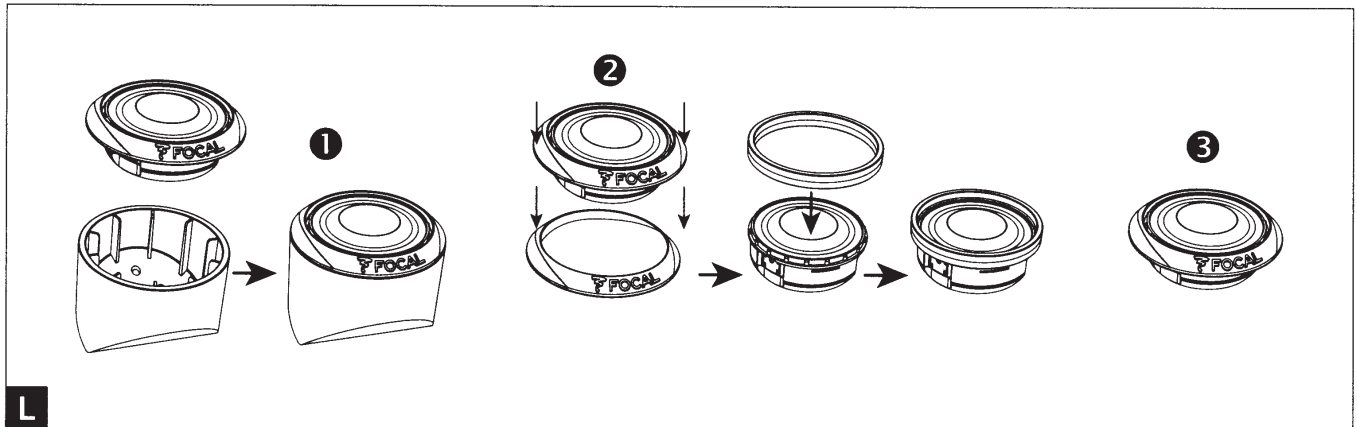


ELITE K2 POWER

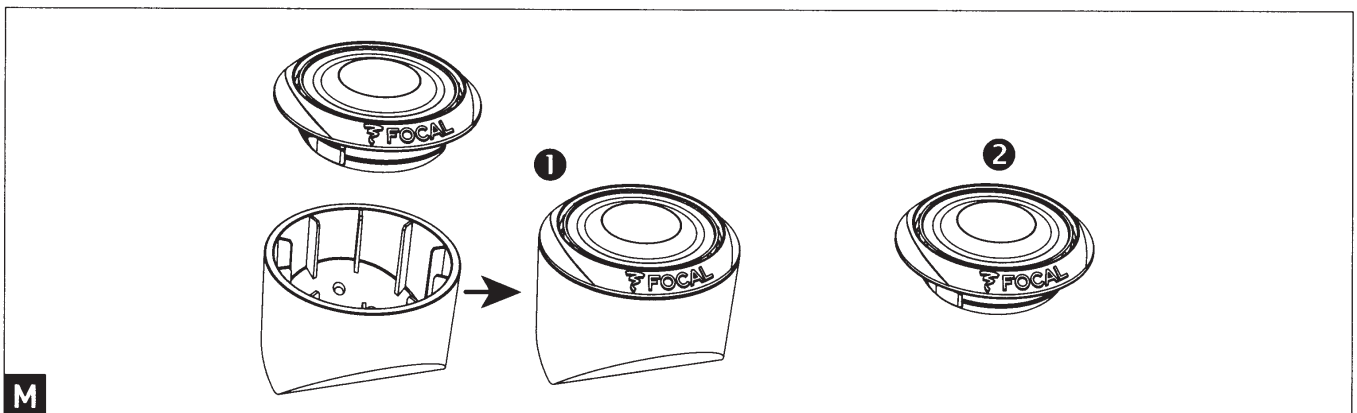
Manuel d'utilisation / User manual

Installation du tweeter / Fitting the tweeter

ES 100K, ES 130K, ES 165K, ES 165K2



ES 165KX2, ES 165KX3

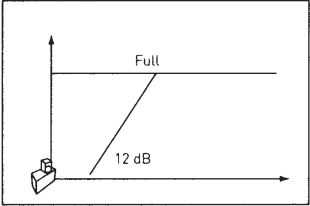


ELITE K2 POWER

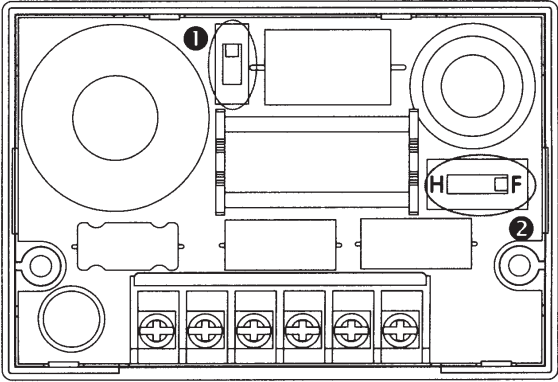
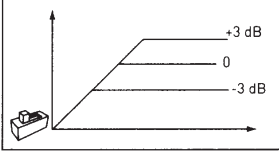
Manuel d'utilisation / User manual

Réglage des switch du filtre / Crossover settings - ES 100K

1 Réglage du woofer ("Pass haut ou "Full")
Woofer high pass / full adjustment



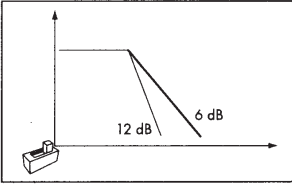
2 Réglage du niveau du tweeter
Tweeter level adjustment



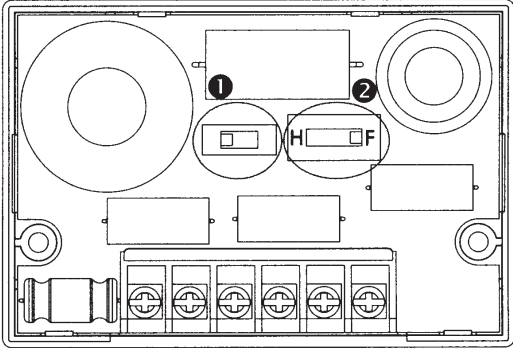
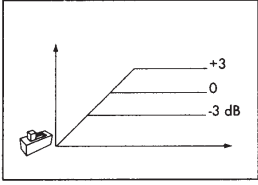
N

Réglage des switch du filtre / Crossover settings - ES 130K, ES 165K

1 Pente de coupure du Woofer
Woofer low pass slope



2 Réglage du niveau du tweeter
Tweeter level adjustment



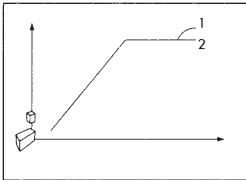
O

ELITE K2 POWER

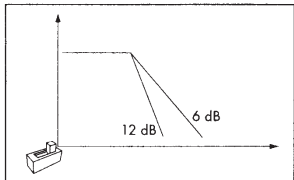
Manuel d'utilisation / User manual

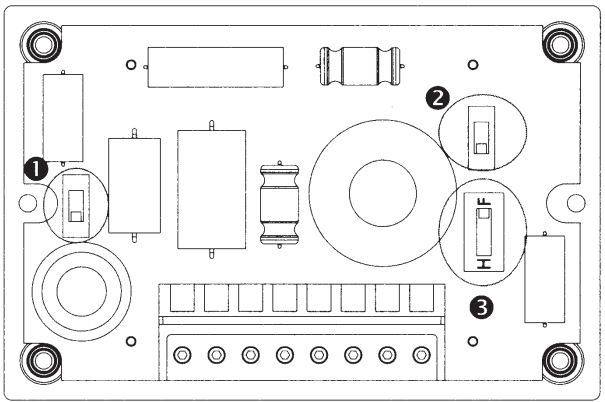
Réglage des switch du filtre / Crossover settings - ES 165K2

1 Réglage du tweeter
Réglage du tweeter (1=Extrême aigu)

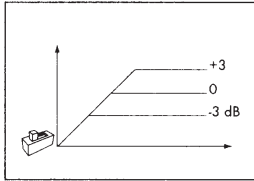


2 Pente de coupure du Woofer
Woofer low pass slope





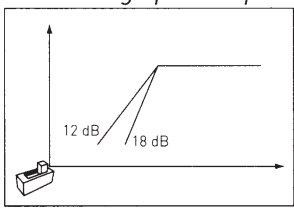
3 Pente de coupure du Woofer
Woofer low pass slope



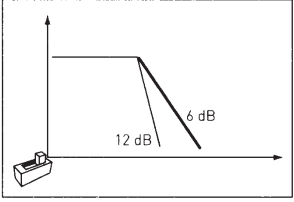
P

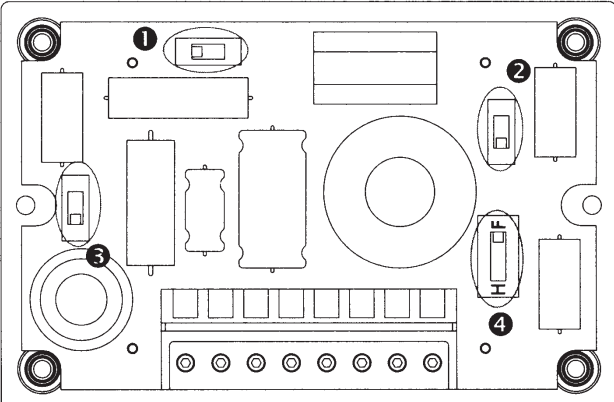
Réglage des switch du filtre / Crossover settings - ES 165KX2

1 Pente de coupure du tweeter
Tweeter high pass slope

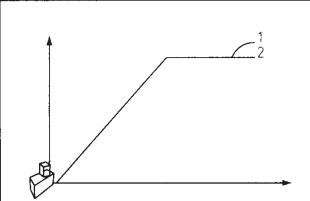


2 Pente de coupure du Woofer
Woofer low pass slope

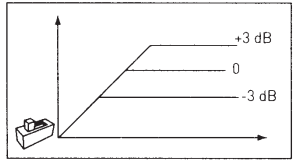




3 Réglage du tweeter (1=Extrême aigu)
Tweeter adjustment (1=High treble)



4 Réglage du niveau du tweeter
Tweeter level adjustment



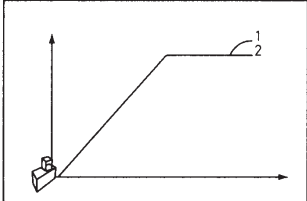
Q

ELITE K2 POWER

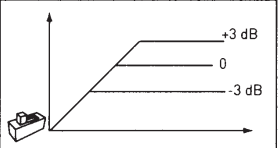
Manuel d'utilisation / User manual

Réglage des switch du filtre / Crossover settings - ES 165KX3

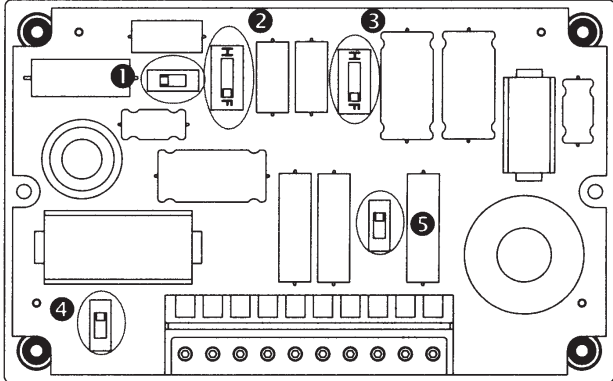
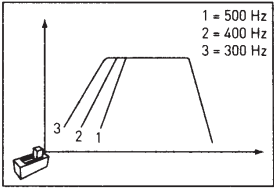
1 Réglage du tweeter (1=Extrême aigu)
Tweeter adjustment (1=High treble)



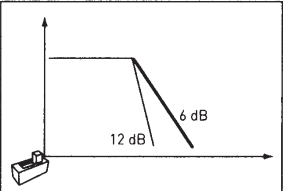
2 Réglage du niveau tweeter
Tweeter level adjustment



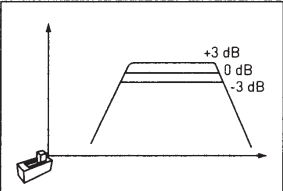
3 Réglage du passe haut médium
Midrange high pass adjustment



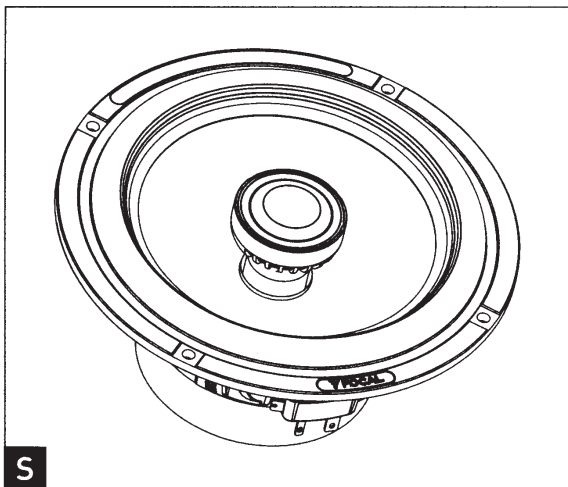
4 Pente de coupure du Woofer
Woofer low pass slope



5 Réglage du niveau du médium
Midrange level adjustment



R



S

ELITE K2 POWER

User manual

English

Register your product online at www.focal.com/garantie and get your certificate of guaranty.



Warning

Listening for a prolonged period at a high volume level over 110 dB may result in hearing loss. Exposure, even brief, to sound at over 130 dB may result in irreparable hearing loss.

Important recommendations

First of all, check the space available for the loudspeakers (see the plans on the packaging) and then start cutting. If the loudspeakers are to be mounted in their original place, check whether there is enough space between the loudspeaker and the protective grating.

- Keep the loudspeakers away from metal chips and dust.
- Clean carefully prior to mounting the loudspeakers.

Warranty conditions

If you encounter problems, contact your Focal distributor first. For all Focal equipment, the warranty applicable to France covers a 2-year period as of the purchase date and is non-transmissible in case of resale. In the event of faulty equipment, it should be sent, at your own expense, in its original packaging to your distributor, who will then check the equipment and determine the nature of the problem. If it is under warranty, the equipment will be returned to you or replaced "postage paid". Otherwise, a quote for repair will be sent to you. The warranty does not cover damage arising from improper use or incorrect connection (e.g. burned voice coils...)

Environmental information

Your Focal-JMLab product has been designed and manufactured using high quality materials and components, which can be recycled and reused. This symbol signifies that the electrical and electronic devices, at the end of their life, should be disposed of separately from household waste. Please take this device to the local collection point or to a recycling centre. You will thus contribute to environmental conservation.

ELITE K2 POWER

User manual

14

2-channel connection Kit (Fig A)

- ES 100K, ES 130K, ES 165K

2-channel connection Kit (Fig B)

- ES 165K2, ES 165KX2

These filters have been designed for use in "bi amplification".

For "conventional" use, with the help of 2 short wires, connect the "input" terminals (IN W+ to IN T+ & IN W- to IN T-) **(Fig C & E)**

2-channel Kit connections in the case of bi amplification / BI AMP using (4-channel amp): (Fig F)

- ES 165K2, ES 165KX2

3-channel connection Kit

- ES 165KX3

3-channel Kit connections in the case of bi amplification (Fig K)

- ES 165KX3

These filters have been designed for use in "bi amplification".

For "conventional" use, with the help of 2 short wires, connect the "input" terminals (IN W+ to IN T+ & IN W- to IN T-) **(Fig H & J)**

Mounting of the filter

- ES 100K, ES 130K, ES 165K,
- ES 165KX, ES165KX2, ES 165KX3

The filters should be mounted (using the screws provided or with the help of double sided tape), preferably in a dry and ventilated area.

To open the casing, unclip the cover (ES100/130/165K models) or unscrew the 4 screws (ES165K2/165KX2/165KX3 models) **(Fig D & I)**: Warning: for this filter model please keep the 4 aluminium spacers.

Note: If access to the filters is difficult, please implement the cabling and adjustments prior to final mounting.

Installation of the tweeter (ES100K/130K/165K/165K2 kits)

There are three mounting options

1 - Mounting on the inclined pod: choose the desired tilt according to the selected place. **(Fig L1)**
Make a hole for the cables and screws, mount the stand with the help of the screws included in the kit, thread the 2 wires and then mount the tweeter in its housing (adjusted mounting). These tasks can be performed when the grating is assembled.

Warning: To remove the tweeter from this accessory, please act on the edge and, using a fine-blade tool as a lever, remove the tweeter/plastic collar/grille assembly.

2 - Mounting in the original place: Remove the grating, disassemble the plastic collar exerting pressure in order to remove this spare part from the tweeter body, remount the dome protective washer. **(Fig L2)**
The dome of the tweeter should not enter into contact with a surface or a spare part of the vehicle: Respect the mounting of this important protective washer; this is required for all mountings without a grating in original places.

3 - Flush mounting: cut out a 40 mm in diameter hole. "Tight" adjustment **(Fig L3)**

Note: To mount the plastic collar, please respect the guide that ensures sound assembly of the 2 parts.

ELITE K2 POWER

User manual

Installation of the tweeter (Kits ES165KX2 and 165KX3)

There are two mounting options:

- 1 - Mounting on the inclined pod: choose the desired tilt according to the selected place. **(Fig M1)**
Mount the stand using the screws provided, thread the wires and then mount the tweeter in its housing (adjusted mounting). Reinstall the grille.
- 2 - Flush mounting: cut out a 51 mm in diameter hole: "Tight" adjustment. **(Fig M2)**
The serrated steel washer (provided) maintains the pressure of the tweeter after it has been mounted in its housing.

Coaxial kit EC165 K (Fig S)

This coaxial kit is equipped with an integrated tweeter crossover (6 db/oct); please observe the general recommendations for installation.

Warning: The tweeter post is not adjustable or rotative: it has been designed to be as compact as possible and thus compatible with as many spaces as possible.



Focal-JMlab® - BP 374 - 108, rue de l'Avenir - 42353 La Talaudière cedex - France - www.focal.com
Tel. (+33) 04 77 43 57 00 - Fax (+33) 04 77 43 57 04 - SCEB-150716/1 - codo1424