

JBL® CLUB SPEAKERS

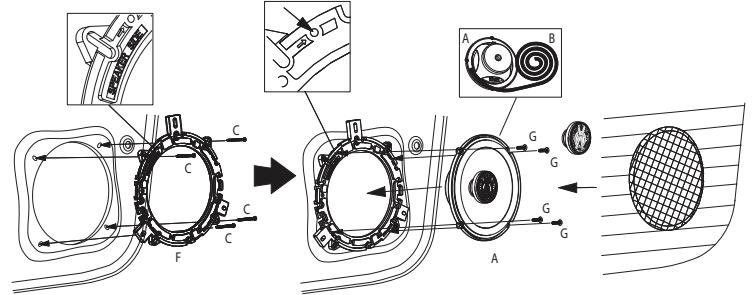
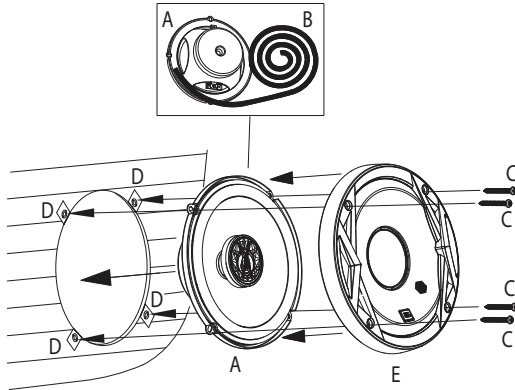
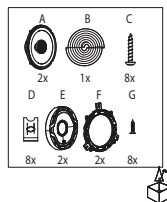


Car Audio Speaker
 Haut-parleur audio automobile
 Altavoz de audio para automóvil
 Alto-falante automotivo
 Fahrzeuglautsprecher
 Diffusore Car Audio
 Autoluidspreker
 Bilstereohøytaler
 Autokaiutin
 Автомобильный динамик
 Bilhögtalare
 Bilhöjtaler
 カーオーディオ・スピーカー
 Głośnik samochodowy
 카오디오 스피커
 车载扬声器
 汽車音響喇叭
 Speaker Audio Mobil
 Araba Ses Hoparlörü

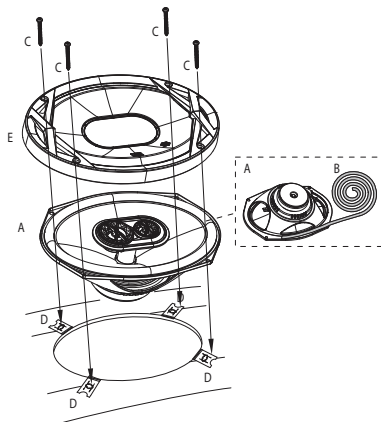
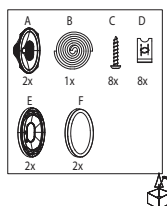


Installation manual
 Manuel d'installation
 Manual de instalación
 Manual de instalação
 Installationshandbuch
 Manuale d'installazione
 Installatiehandleiding
 Installasjonsveiledning
 Asennusopas
 Руководство по установке
 Installationsanvisning
 Installationsmanual
 設置マニュアル
 Instrukcja instalacji
 설치 설명서
 安裝手冊
 安裝手冊
 Panduan instalasi
 Kurulum kılavuzu

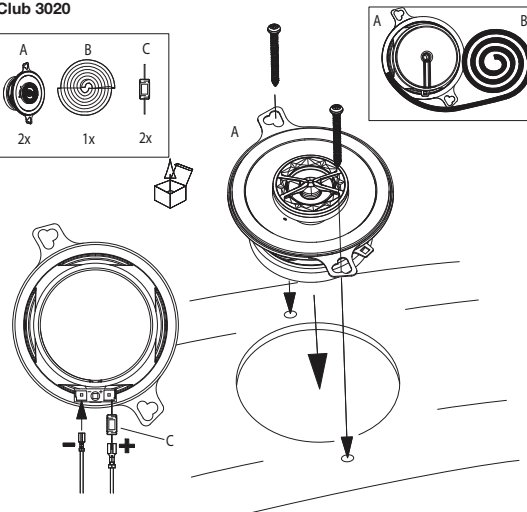
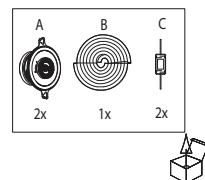
CLUB 6520



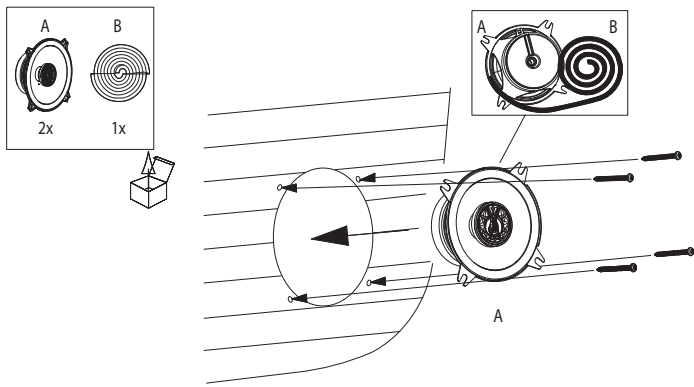
CLUB 9630



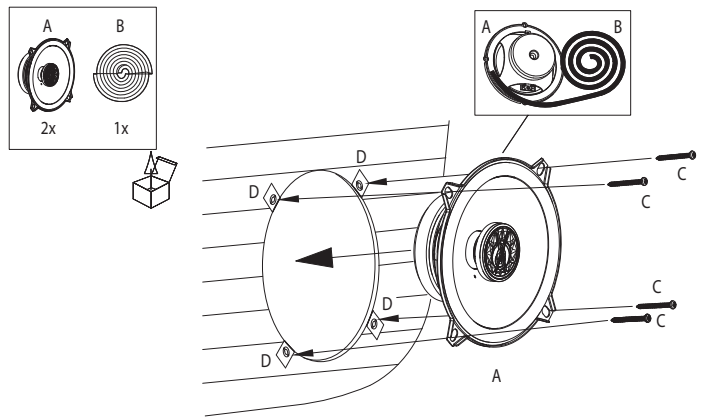
Club 3020



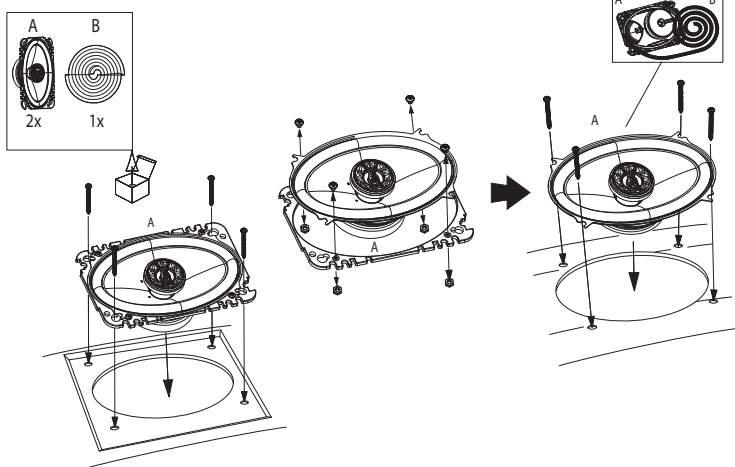
CLUB 4020



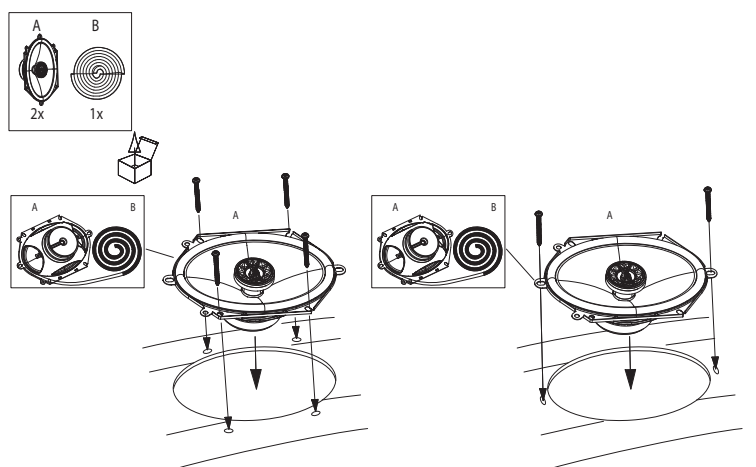
CLUB 5020



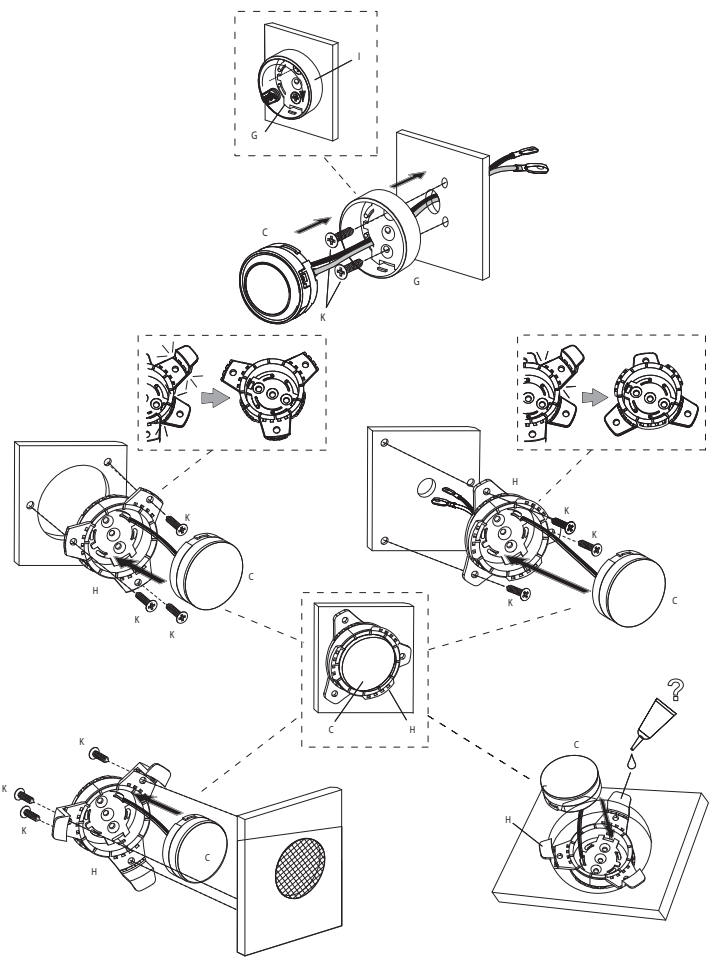
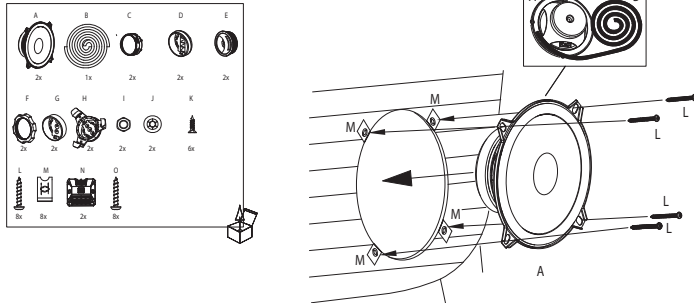
CLUB 6420



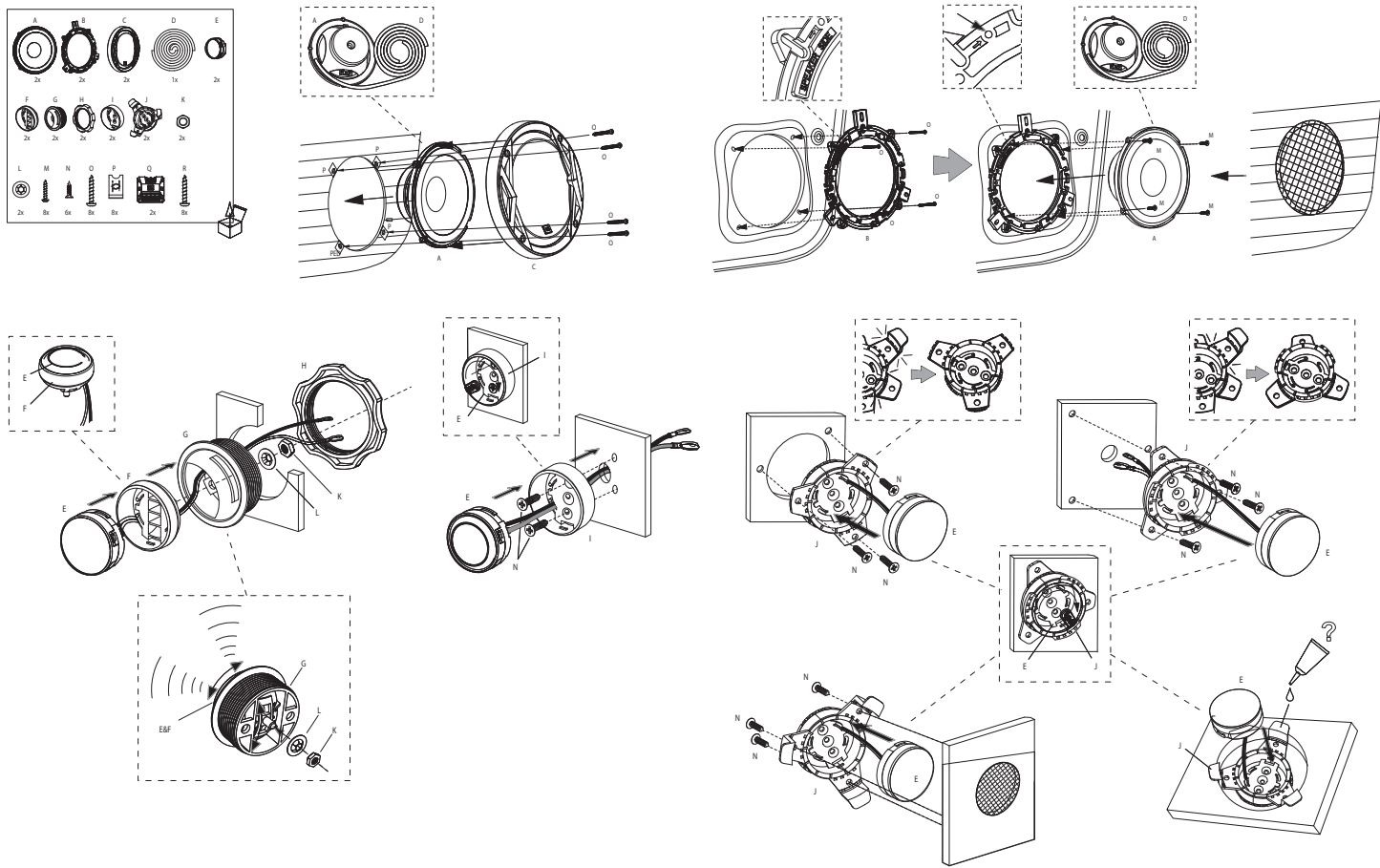
CLUB 8620



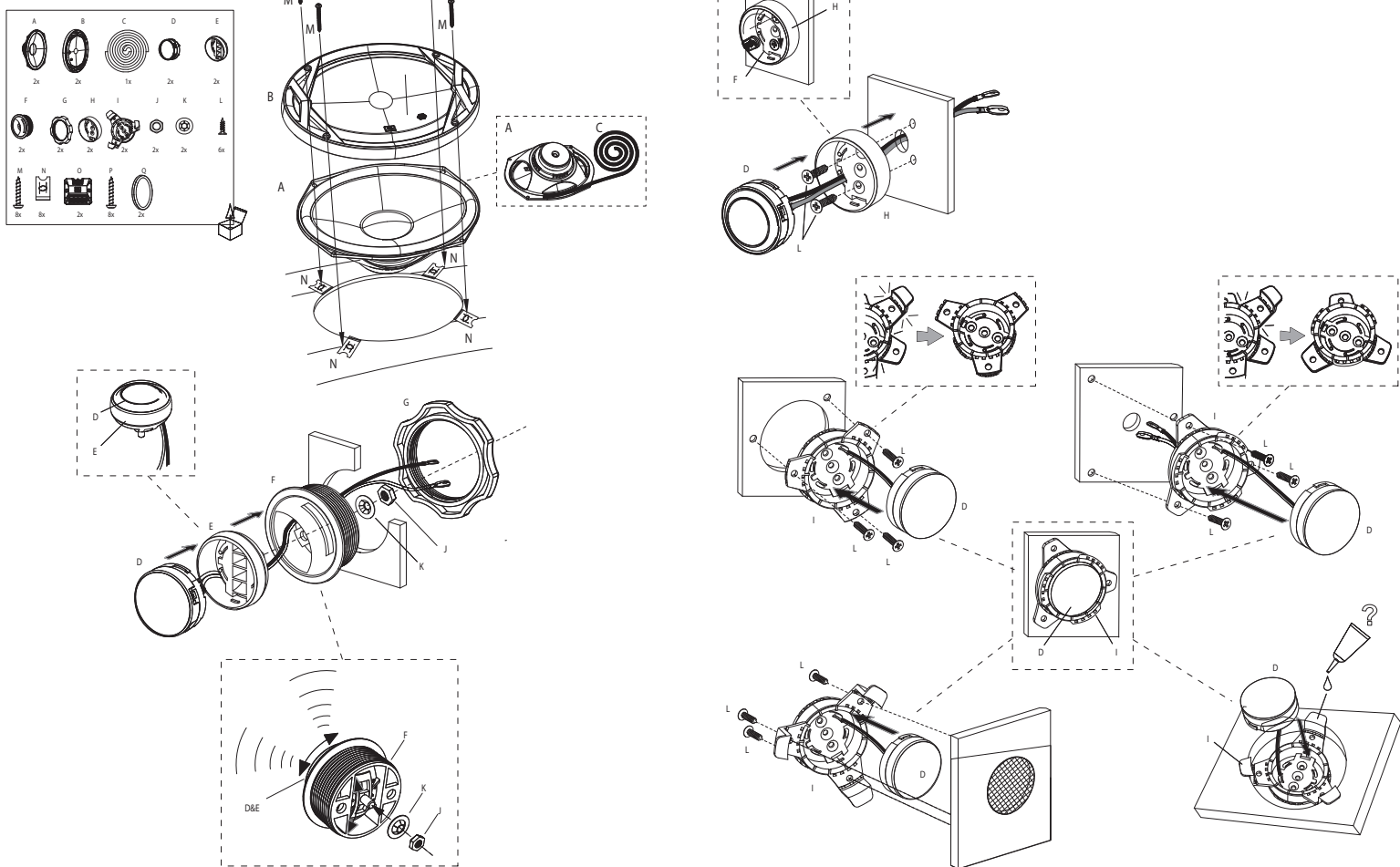
CLUB 5000C



CLUB 6500C



CLUB 9600C



ТЕХНИЧЕСКИЕ ХАРАКТЕРИСТИКИ	CLUB 6020	CLUB 6030	CLUB 3020	CLUB 4020	CLUB 5020	CLUB 6420	CLUB 9020	CLUB 5000C	CLUB 6000C	CLUB 9000C	CLUB 700T
Тип	Басовый динамик (средний диапазон частот)	Средний динамик (средний диапазон частот)	Басовый динамик (средний диапазон частот)	Басовый динамик (средний диапазон частот)	Басовый динамик (средний диапазон частот)	Басовый динамик (средний диапазон частот)	Басовый динамик (средний диапазон частот)	Басовый динамик (средний диапазон частот)	Басовый динамик (средний диапазон частот)	Басовый динамик (средний диапазон частот)	Басовый динамик (средний диапазон частот)
Полная мощность	50W	80W	20W	30W	40W	35W	55W	5W	6W	9W	45W
Максимальная мощность	150W	240W	60W	90W	120W	105W	165W	16W	18W	27W	135W
Импеданс	500Ω-200Ω	500Ω-200Ω	80Ω-200Ω	70Ω-200Ω	70Ω-200Ω	70Ω-200Ω	60Ω-200Ω	700Ω-200Ω	50Ω-200Ω	50Ω-200Ω	30Ω-200Ω
Номинальный импеданс	3.0Ωms	3.0Ωms	3.0Ωms	3.0Ωms	3.0Ωms	3.0Ωms	3.0Ωms	3.0Ωms	3.0Ωms	3.0Ωms	3.0Ωms
Частотный диапазон (±3dB)	90dB	90dB	90dB	90dB	90dB	90dB	90dB	90dB	90dB	90dB	90dB
Уровень громкости	6-14" (150mm)	9.5" (241mm)	3.7" (97mm)	4.1" (107mm)	5.1" (129mm)	6.3" (163mm)	8.1" (207mm)	5.1" (129mm)	6.1" (157mm)	9.5" (241mm)	2.1" (54mm)
Диаметр выемки для монтажа	4.7" (122.4mm)	8.1" (207mm)	3" (75mm)	3.1" (79mm)	4.1" (107mm)	5.1" (129mm)	6.3" (163mm)	4.1" (107mm)	4.7" (122.4mm)	8.1" (207mm)	1.5" (38.1mm)
Общая глубина	2.1" (54mm)	3.1" (79mm)	1.7" (47mm)	2.1" (54mm)	2.1" (54mm)	2.1" (54mm)	2.1" (54mm)	2.1" (54mm)	2.1" (54mm)	2.1" (54mm)	1.7" (47mm)
Глубина установки	1.1" (27.9mm)	3.1" (79mm)	1.7" (47mm)	1.7" (47mm)	1.7" (47mm)	1.7" (47mm)	1.7" (47mm)	1.7" (47mm)	1.7" (47mm)	1.7" (47mm)	1.7" (47mm)

仕様書	CLUB 6020	CLUB 9020	CLUB 3020	CLUB 4020	CLUB 5020	CLUB 6420	CLUB 9000C	CLUB 6000C	CLUB 9000C	CLUB 700T
型番	6-12" (150mm) 同軸4音車用160mm (6.12")	9.5" (241mm) エイソクインテグレーション160mm (9.5")	3.1" (79mm) 同軸4音車用107mm (3.1")	4.1" (107mm) 同軸4音車用107mm (4.1")	5.1" (129mm) 同軸4音車用129mm (5.1")	6.3" (163mm) エイソクインテグレーション163mm (6.3")	8.1" (207mm) 同軸4音車用207mm (8.1")	5.1" (129mm) 同軸4音車用129mm (5.1")	6.1" (157mm) エイソクインテグレーション157mm (6.1")	9.5" (241mm) エイソクインテグレーション241mm (9.5")
連続平均入力	50W	80W	20W	30W	40W	35W	55W	5W	6W	9W
ピーク入力	150W	240W	60W	90W	120W	105W	165W	16W	18W	27W
定電圧	500Ω-200Ω	500Ω-200Ω	80Ω-200Ω	70Ω-200Ω	70Ω-200Ω	70Ω-200Ω	60Ω-200Ω	700Ω-200Ω	50Ω-200Ω	50Ω-200Ω
公称インピーダンス	3.0Ωms	3.0Ωms	3.0Ωms	3.0Ωms	3.0Ωms	3.0Ωms	3.0Ωms	3.0Ωms	3.0Ωms	3.0Ωms
振動子径 (±3dB)	90dB	90dB	90dB	90dB	90dB	90dB	90dB	90dB	90dB	90dB
外形寸法	6-14" (150mm)	9.5" (241mm)	3.7" (97mm)	4.1" (107mm)	5.1" (129mm)	6.3" (163mm)	8.1" (207mm)	5.1" (129mm)	6.1" (157mm)	9.5" (241mm)
取り付け穴間隔	4.7" (122.4mm)	8.1" (207mm)	3" (75mm)	3.1" (79mm)	4.1" (107mm)	5.1" (129mm)	6.3" (163mm)	4.1" (107mm)	4.7" (122.4mm)	8.1" (207mm)
トームの寸法	2.1" (54mm)	3.1" (79mm)	1.7" (47mm)	2.1" (54mm)	2.1" (54mm)	2.1" (54mm)	2.1" (54mm)	2.1" (54mm)	2.1" (54mm)	2.1" (54mm)
埋込み寸法	1.1" (27.9mm)	3.1" (79mm)	1.7" (47mm)	1.7" (47mm)	1.7" (47mm)	1.7" (47mm)	1.7" (47mm)	1.7" (47mm)	1.7" (47mm)	1.7" (47mm)

DANE TECHNICZNE	CLUB 6020	CLUB 9020	CLUB 3020	CLUB 4020	CLUB 5020	CLUB 6420	CLUB 9000C	CLUB 6000C	CLUB 9000C	CLUB 700T
Typ	Basowy głośnik (średni zakres częstotliwości)	Średni głośnik (średni zakres częstotliwości)	Basowy głośnik (średni zakres częstotliwości)	Basowy głośnik (średni zakres częstotliwości)	Basowy głośnik (średni zakres częstotliwości)	Basowy głośnik (średni zakres częstotliwości)	Basowy głośnik (średni zakres częstotliwości)	Basowy głośnik (średni zakres częstotliwości)	Basowy głośnik (średni zakres częstotliwości)	Basowy głośnik (średni zakres częstotliwości)
Moc ciągła	50W	80W	20W	30W	40W	35W	55W	5W	6W	9W
Moc szczytowa	150W	240W	60W	90W	120W	105W	165W	16W	18W	27W
Impedancja	500Ω-200Ω	500Ω-200Ω	80Ω-200Ω	70Ω-200Ω	70Ω-200Ω	70Ω-200Ω	60Ω-200Ω	700Ω-200Ω	50Ω-200Ω	50Ω-200Ω
Impedancja nominalna	3.0Ωms	3.0Ωms	3.0Ωms	3.0Ωms	3.0Ωms	3.0Ωms	3.0Ωms	3.0Ωms	3.0Ωms	3.0Ωms
Wzrostek (±3dB)	90dB	90dB	90dB	90dB	90dB	90dB	90dB	90dB	90dB	90dB
Średnica zewnętrzna	6-14" (150mm)	9.5" (241mm)	3.7" (97mm)	4.1" (107mm)	5.1" (129mm)	6.3" (163mm)	8.1" (207mm)	5.1" (129mm)	6.1" (157mm)	9.5" (241mm)
Średnica wycięcia do montażu	4.7" (122.4mm)	8.1" (207mm)	3" (75mm)	3.1" (79mm)	4.1" (107mm)	5.1" (129mm)	6.3" (163mm)	4.1" (107mm)	4.7" (122.4mm)	8.1" (207mm)
Całkowita głębokość	2.1" (54mm)	3.1" (79mm)	1.7" (47mm)	2.1" (54mm)	2.1" (54mm)	2.1" (54mm)	2.1" (54mm)	2.1" (54mm)	2.1" (54mm)	2.1" (54mm)
Głębokość montażowa	1.1" (27.9mm)	3.1" (79mm)	1.7" (47mm)	1.7" (47mm)	1.7" (47mm)	1.7" (47mm)	1.7" (47mm)	1.7" (47mm)	1.7" (47mm)	1.7" (47mm)

规格	CLUB 6020	CLUB 9020	CLUB 3020	CLUB 4020	CLUB 5020	CLUB 6420	CLUB 9000C	CLUB 6000C	CLUB 9000C	CLUB 700T
规格	6-12" (150mm) 同軸4音車用160mm (6.12")	9.5" (241mm) エイソクインテグレーション160mm (9.5")	3.1" (79mm) 同軸4音車用107mm (3.1")	4.1" (107mm) 同軸4音車用107mm (4.1")	5.1" (129mm) 同軸4音車用129mm (5.1")	6.3" (163mm) エイソクインテグレーション163mm (6.3")	8.1" (207mm) 同軸4音車用207mm (8.1")	5.1" (129mm) 同軸4音車用129mm (5.1")	6.1" (157mm) エイソクインテグレーション157mm (6.1")	9.5" (241mm) エイソクインテグレーション241mm (9.5")
連続平均入力	50W	80W	20W	30W	40W	35W	55W	5W	6W	9W
ピーク入力	150W	240W	60W	90W	120W	105W	165W	16W	18W	27W
定電圧	500Ω-200Ω	500Ω-200Ω	80Ω-200Ω	70Ω-200Ω	70Ω-200Ω	70Ω-200Ω	60Ω-200Ω	700Ω-200Ω	50Ω-200Ω	50Ω-200Ω
公称インピーダンス	3.0Ωms	3.0Ωms	3.0Ωms	3.0Ωms	3.0Ωms	3.0Ωms	3.0Ωms	3.0Ωms	3.0Ωms	3.0Ωms
振動子径 (±3dB)	90dB	90dB	90dB	90dB	90dB	90dB	90dB	90dB	90dB	90dB
外形寸法	6-14" (150mm)	9.5" (241mm)	3.7" (97mm)	4.1" (107mm)	5.1" (129mm)	6.3" (163mm)	8.1" (207mm)	5.1" (129mm)	6.1" (157mm)	9.5" (241mm)
取り付け穴間隔	4.7" (122.4mm)	8.1" (207mm)	3" (75mm)	3.1" (79mm)	4.1" (107mm)	5.1" (129mm)	6.3" (163mm)	4.1" (107mm)	4.7" (122.4mm)	8.1" (207mm)
トームの寸法	2.1" (54mm)	3.1" (79mm)	1.7" (47mm)	2.1" (54mm)	2.1" (54mm)	2.1" (54mm)	2.1" (54mm)	2.1" (54mm)	2.1" (54mm)	2.1" (54mm)
埋込み寸法	1.1" (27.9mm)	3.1" (79mm)	1.7" (47mm)	1.7" (47mm)	1.7" (47mm)	1.7" (47mm)	1.7" (47mm)	1.7" (47mm)	1.7" (47mm)	1.7" (47mm)

SPESIFIKASI	CLUB 6020	CLUB 9020	CLUB 3020	CLUB 4020	CLUB 5020	CLUB 6420	CLUB 9000C	CLUB 6000C	CLUB 9000C	CLUB 700T
Typ	Basowy głośnik (średni zakres częstotliwości)	Średni głośnik (średni zakres częstotliwości)	Basowy głośnik (średni zakres częstotliwości)	Basowy głośnik (średni zakres częstotliwości)	Basowy głośnik (średni zakres częstotliwości)	Basowy głośnik (średni zakres częstotliwości)	Basowy głośnik (średni zakres częstotliwości)	Basowy głośnik (średni zakres częstotliwości)	Basowy głośnik (średni zakres częstotliwości)	Basowy głośnik (średni zakres częstotliwości)
Moc ciągła	50W	80W	20W	30W	40W	35W	55W	5W	6W	9W
Moc szczytowa	150W	240W	60W	90W	120W	105W	165W	16W	18W	27W
Impedancja	500Ω-200Ω	500Ω-200Ω	80Ω-200Ω	70Ω-200Ω	70Ω-200Ω	70Ω-200Ω	60Ω-200Ω	700Ω-200Ω	50Ω-200Ω	50Ω-200Ω
Impedancja nominalna	3.0Ωms	3.0Ωms	3.0Ωms	3.0Ωms	3.0Ωms	3.0Ωms	3.0Ωms	3.0Ωms	3.0Ωms	3.0Ωms
Wzrostek (±3dB)	90dB	90dB	90dB	90dB	90dB	90dB	90dB	90dB	90dB	90dB
Średnica zewnętrzna	6-14" (150mm)	9.5" (241mm)	3.7" (97mm)	4.1" (107mm)	5.1" (129mm)	6.3" (163mm)	8.1" (207mm)	5.1" (129mm)	6.1" (157mm)	9.5" (241mm)
Średnica wycięcia do montażu	4.7" (122.4mm)	8.1" (207mm)	3" (75mm)	3.1" (79mm)	4.1" (107mm)	5.1" (129mm)	6.3" (163mm)	4.1" (107mm)	4.7" (122.4mm)	8.1" (207mm)
Całkowita głębokość	2.1" (54mm)	3.1" (79mm)	1.7" (47mm)	2.1" (54mm)	2.1" (54mm)	2.1" (54mm)	2.1" (54mm)	2.1" (54mm)	2.1" (54mm)	2.1" (54mm)
Głębokość montażowa	1.1" (27.9mm)	3.1" (79mm)	1.7" (47mm)	1.7" (47mm)	1.7" (47mm)	1.7" (47mm)	1.7" (47mm)	1.7" (47mm)	1.7" (47mm)	1.7" (47mm)

SPECIFIKATIONER	CLUB 6020	CLUB 9020	CLUB 3020	CLUB 4020	CLUB 5020	CLUB 6420	CLUB 9000C	CLUB 6000C	CLUB 9000C	CLUB 700T
Type	6-12" (150 mm) koaksial højttaler	9.5" (241 mm) 3-vejs koaksial højttaler	3.1" (79 mm) koaksial højttaler	4.1" (107 mm) koaksial højttaler	5.1" (130 mm) koaksial højttaler	6.3" (163 mm) koaksial højttaler	8.1" (207 mm) koaksial højttaler	5.1" (129 mm) koaksial højttaler	6.1" (157 mm) koaksial højttaler	9.5" (241 mm) koaksial højttaler
Køberstyrke/effektbeholdning	50W	80W	20W	30W	40W	35W	55W	5W	6W	9W
Spøkebeholdning	150W	240W	60W	90W	120W	105W	165W	16W	18W	27W
Frekvensområde	500Ω-200Ω	500Ω-200Ω	80Ω-200Ω	70Ω-200Ω	70Ω-200Ω	70Ω-200Ω	60Ω-200Ω	700Ω-200Ω	50Ω-200Ω	50Ω-200Ω
Nominel impedans	3.0Ωms	3.0Ωms	3.0Ωms	3.0Ωms	3.0Ωms	3.0Ωms	3.0Ωms	3.0Ωms	3.0Ωms	3.0Ωms
Udviklings (±3 dB) W	90dB	90dB	90dB	90dB	90dB	90dB	90dB	90dB	90dB	90dB
Udviklings diameter	6-14" (150mm)	9.5" (241mm)	3.7" (97mm)	4.1" (107mm)	5.1" (129mm)	6.3" (163mm)	8.1" (207mm)	5.1" (129mm)	6.1" (157mm)	9.5" (241mm)
Skærmings hull diameter	4.7" (122.4mm)	8.1" (207mm)	3" (75mm)	3.1" (79mm)	4.1" (107mm)	5.1" (129mm)	6.3" (163mm)	4.1" (107mm)	4.7" (122.4mm)	8.1" (207mm)
Skærmings dybde	2.1" (54mm)	3.1" (79mm)	1.7" (47mm)	2.1" (54mm)	2.1" (54mm)	2.1" (54mm)	2.1" (54mm)	2.1" (54mm)	2.1" (54mm)	2.1" (54mm)
Skærmings installation dybde	1.1" (27.9mm)	3.1" (79mm)	1.7" (47mm)	1.7" (47mm)	1.7" (47mm)	1.7" (47mm)	1.7" (47mm)	1.7" (47mm)	1.7" (47mm)	1.7" (47mm)

사양	CLUB 6020	CLUB 9020	CLUB 3020	CLUB 4020	CLUB 5020	CLUB 6420	CLUB 9000C	CLUB 6000C	CLUB 9000C	CLUB 700T
타입	6-12" (150mm) 동축4음차용160mm (6.12")	9.5" (241mm) 에이소크인테그레이션160mm (9.5")	3.1" (79mm) 동축4음차용107mm (3.1")	4.1" (107mm) 동축4음차용107mm (4.1")	5.1" (130mm) 동축4음차용129mm (5.1")	6.3" (163mm) 동축4음차용163mm (6.3")	8.1" (207mm) 동축4음차용207mm (8.1")	5.1" (129mm) 동축4음차용129mm (5.1")	6.1" (157mm) 동축4음차용157mm (6.1")	9.5" (241mm) 동축4음차용241mm (9.5")
연속 평균 입력	50W	80W	20W	30W	40W	35W	55W	5W	6W	9W
피크 입력	150W	240W	60W	90W	120W	105W	165W	16W	18W	27W
정전압	500Ω-200Ω	500Ω-200Ω	80Ω-200Ω	70Ω-200Ω	70Ω-200Ω	70Ω-200Ω	60Ω-200Ω	700Ω-200Ω	50Ω-200Ω	50Ω-200Ω
공명 임피던스	3.0Ωms	3.0Ωms	3.0Ωms	3.0Ωms	3.0Ωms	3.0Ωms	3.0Ωms	3.0Ωms	3.0Ωms	3.0Ωms
진동자 직경 (±3dB)	90dB	90dB	90dB	90dB	90dB	90dB	90dB	90dB	90dB	90dB
외경	6-14" (150mm)	9.5" (241mm)	3.7" (97mm)	4.1" (107mm)	5.1" (130mm)	6.3" (163mm)	8.1" (207mm)	5.1" (129mm)	6.1" (157mm)	9.5" (241mm)
장착 구멍 직경	4.7" (122.4mm)	8.1" (207mm)	3" (75mm)	3.1" (79mm)	4.1" (107mm)	5.1" (129mm)	6.3" (163mm)	4.1" (107mm)	4.7" (122.4mm)	8.1" (207mm)
총 두께	2.1" (54mm)	3.1" (79mm)	1.7" (47mm)	2.1" (54mm)	2.1" (54mm)	2.1" (54mm)	2.1" (54mm)	2.1" (54mm)	2.1" (54mm)	2.1" (54mm)
장착 깊이	1.1" (27.9mm)	3.1" (79mm)	1.7" (47mm)	1.7" (47mm)	1.7" (47mm)	1.7" (47mm)	1.7" (47mm)	1.7" (47mm)	1.7" (47mm)	1.7" (47mm)

规格	CLUB
----	------



Club Speakers

Series of competitively priced coaxial and component speaker systems



High performance – for everybody.

Club coaxial and component speakers bring legendary JBL sound to more vehicles. Their compact design means they'll fit in most cars and trucks on the road, while high sensitivity delivers outstanding performance, even when they're powered by factory stereos. Rugged polypropylene cones with the Patented Plus One™ design deliver hard-hitting bass and long performance life. PEI balanced dome tweeters play smooth highs. Available in a range of standard sizes – 3", 4", 5-1/4", 6", 6-1/2", 6" x 8" and 4" x 6" coaxial, 6" x 9" 3-way, and 5-1/4", 6-1/2", and 6" x 9" component – they're the perfect upgrade from factory speakers.

Features

- ▶ Acoustically damped, UV-resistant polypropylene cone
- ▶ Plus One™ woofer cone architecture
- ▶ PEI balanced dome tweeters
- ▶ High-sensitivity design
- ▶ Reduced critical dimensions
- ▶ Competitive pricing



Club Speakers

Series of competitively priced coaxial and component speaker systems



Features and Benefits

Acoustically damped, UV-resistant polypropylene cone

Every Club speaker's woofer cone is designed to deliver clean, non-resonant sound quality, while standing up to the demanding heat and humidity of the car environment.

Plus One™ woofer cone architecture

Harman's patented (US patent #7,548,631) Plus One™ cones provide more overall speaker-cone area than other cones in its class — the result is higher sensitivity, increased low-frequency output and greater musical character.

PEI balanced dome tweeters

Club speakers play smooth, clear high frequencies with excellent dispersion, thanks to the PEI balanced dome tweeters.

High-sensitivity design

Club speakers' efficiency produce plenty of sound from the power they're fed, making them ideal for any application, even when they're driven by relatively low-powered factory stereos.

Reduced critical dimensions

Club speakers are available in a range of standard sizes, and feature a compact design that allows them to fit in just about any vehicle on the road today. That means signature JBL sound in more vehicles.

Competitive pricing

Club speakers provide signature JBL sound at affordable prices.

What's in the box:

Club 3020

1 pair of coaxial speakers
Foam mounting tape
Owner's manual

Club 4020

1 pair of coaxial speakers
Foam mounting tape
Owner's manual

Club 5020

1 pair of coaxial speakers
Foam mounting tape
Owner's manual

Club 6520

1 pair of coaxial speakers
1 pair of speaker grilles
8 large mounting screws
8 speed clips
8 small mounting screws
1 pair of adapter rings
Foam mounting tape
Owner's manual

Club 6420

1 pair of coaxial speakers
Foam mounting tape
Owner's manual

Club 8620

1 pair of coaxial speakers
Foam mounting tape
Owner's manual

Club 9630

1 pair of 3-way speakers
1 pair of speaker grilles
8 mounting screws
8 speed clips
1 pair of spacers
Foam mounting tape
Owner's manual

Club 6500C

1 pair of woofers
1 pair of tweeters
1 pair of crossovers
1 pair of tweeter surface mount accessories
1 pair of tweeter flush mount accessories
1 pair of tweeter nuts
1 pair of tweeter flat washers
1 pair of woofer adapter rings
1 pair of woofer grilles
6 tweeter mounting screws
8 small woofer mounting screws
8 large woofer mounting screws
8 crossover mounting screws
8 speed clips
Foam mounting tape
Owner's manual

Club 750T

1 pair of tweeters
Tweeter surface mount accessories
Tweeter flush mount accessories
Owner's manual

Technical Specifications:

Club 3020

- ▶ Description: 3-1/2" (87mm) coaxial car speaker
- ▶ Power Handling: 20W RMS, 60W peak
- ▶ Sensitivity (@ 2.83V): 89dB
- ▶ Frequency Response: 90Hz – 20kHz
- ▶ Impedance: 3.0 ohms

Club 4020

- ▶ Description: 4" (100mm) coaxial car speaker
- ▶ Power Handling: 30W RMS, 90W peak
- ▶ Sensitivity (@ 2.83V): 90dB
- ▶ Frequency Response: 75Hz – 20kHz
- ▶ Impedance: 3.0 ohms

Club 5020

- ▶ Description: 5-1/4" (130mm) coaxial car speaker
- ▶ Power Handling: 40W RMS, 120W peak
- ▶ Sensitivity (@ 2.83V): 91dB
- ▶ Frequency Response: 75Hz – 20kHz
- ▶ Impedance: 3.0 ohms

Club 6520

- ▶ Description: 6-1/2" (160mm) coaxial car speaker
- ▶ Power Handling: 50W RMS, 150W peak
- ▶ Sensitivity (@ 2.83V): 92dB
- ▶ Frequency Response: 55Hz – 20kHz
- ▶ Impedance: 3.0 ohms

Club 6420

- ▶ Description: 4" x 6" (100mm x 152mm) coaxial car speaker
- ▶ Power Handling: 35W RMS, 105W peak
- ▶ Sensitivity (@ 2.83V): 91dB
- ▶ Frequency Response: 75Hz – 20kHz
- ▶ Impedance: 3.0 ohms

Club 8620

- ▶ Description: 6" x 8" (152mm x 203mm) coaxial car speaker
- ▶ Power Handling: 55W RMS, 165W peak
- ▶ Sensitivity (@ 2.83V): 93dB
- ▶ Frequency Response: 65Hz – 20kHz
- ▶ Impedance: 3.0 ohms

Club 9630

- ▶ Description: 6" x 9" (152mm x 230mm) 3-way car speaker
- ▶ Power Handling: 80W RMS, 240W peak
- ▶ Sensitivity (@ 2.83V): 93dB
- ▶ Frequency Response: 50Hz – 20kHz
- ▶ Impedance: 3.0 ohms

Club 6500C

- ▶ Description: 6-1/2" (160mm) component speaker system
- ▶ Power Handling: 60W RMS, 180W peak
- ▶ Sensitivity (@ 2.83V): 92dB
- ▶ Frequency Response: 55Hz – 20kHz
- ▶ Impedance: 3.0 ohms

Club 750T

- ▶ Description: 3/4" (19mm) tweeter component speaker
- ▶ Power Handling: 45W RMS, 135W peak
- ▶ Sensitivity (@ 2.83V): 92dB
- ▶ Frequency Response: 3kHz – 20kHz
- ▶ Impedance: 3.0 ohms

