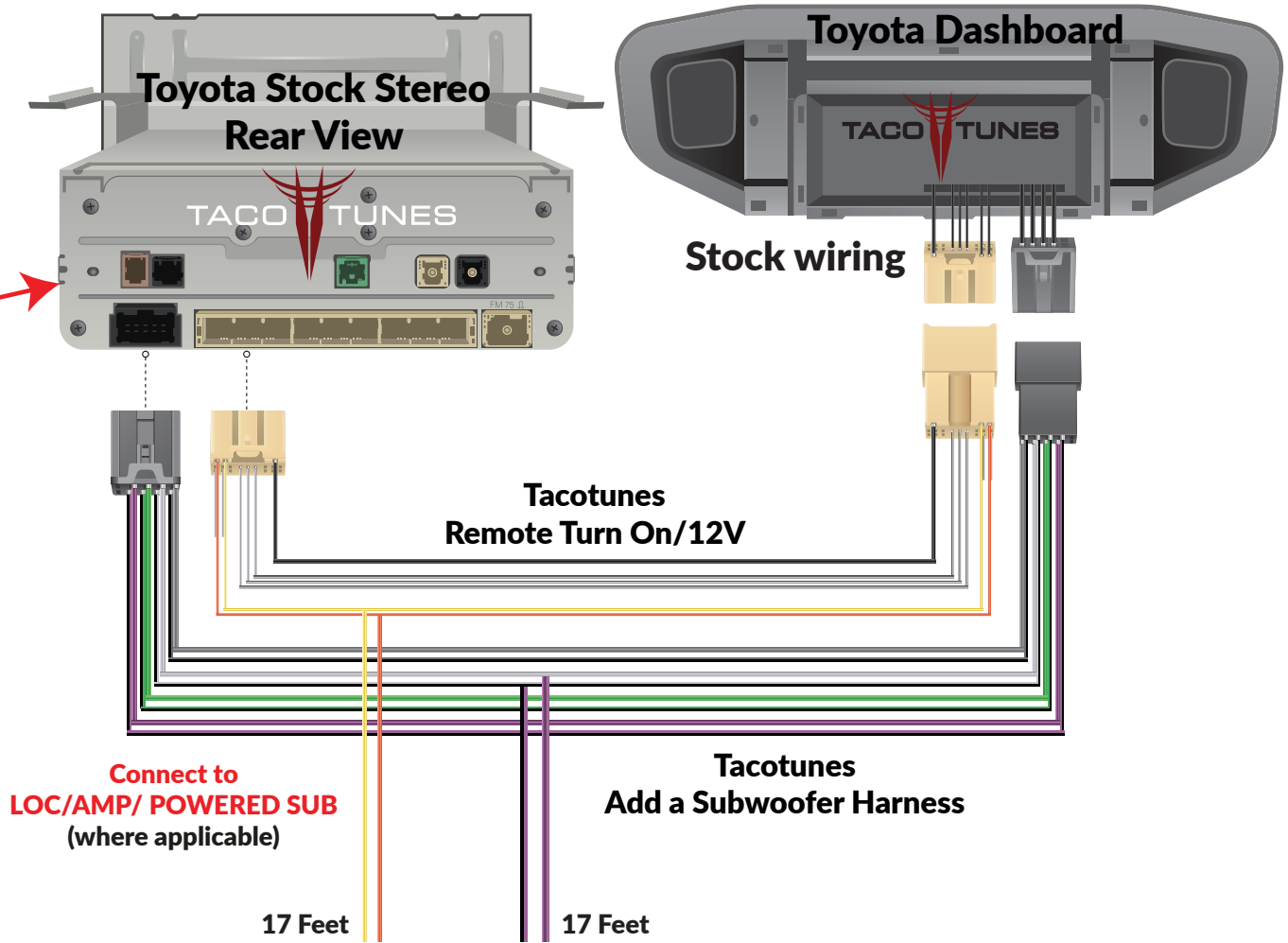
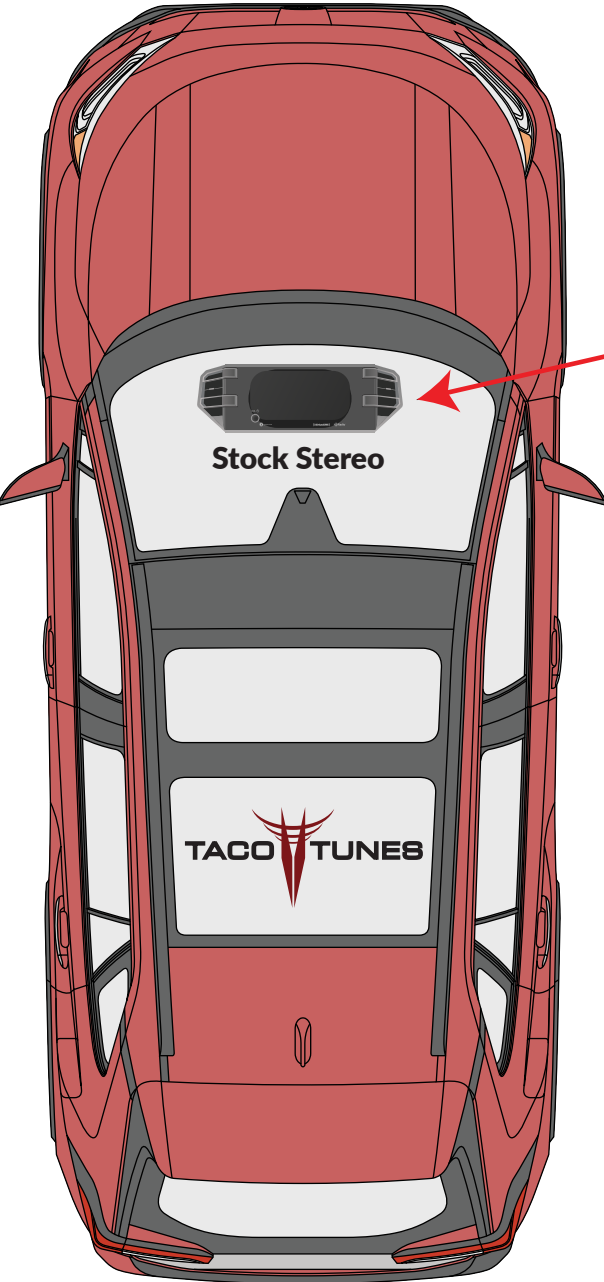


# 2019+ Toyota Rav4

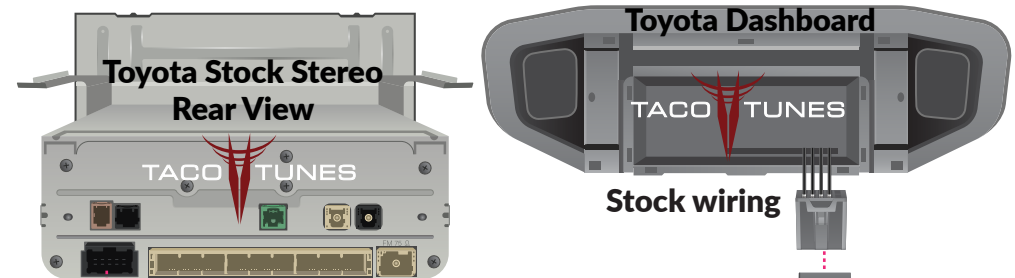
**Add Subwoofer(s) to stock stereo - fast & easy!**

- No cutting or splicing factory wires!
- Works with most amplifier brands.
- Works with aftermarket stereos also!



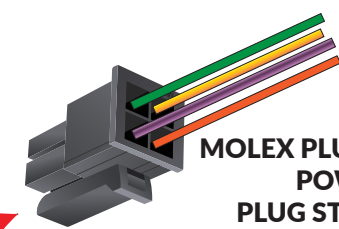
**CLICK HERE**  
Plug & Play Harnesses

# How to add a powered sub to stock stereo using tacotunes Add a Subwoofer Harness **HIGH LEVEL INPUT WITH MOLEX PLUG**



**Connect to  
LOC/AMP/ POWERED SUB  
(where applicable)**

17 Feet



**MOLEX PLUG INCLUDED WITH  
POWERED SUB.  
PLUG STYLES WILL VARY.**

Molex plug wire colors will vary.  
Connect purple/black (-) to Left negative  
Connect purple (+) to Left positive

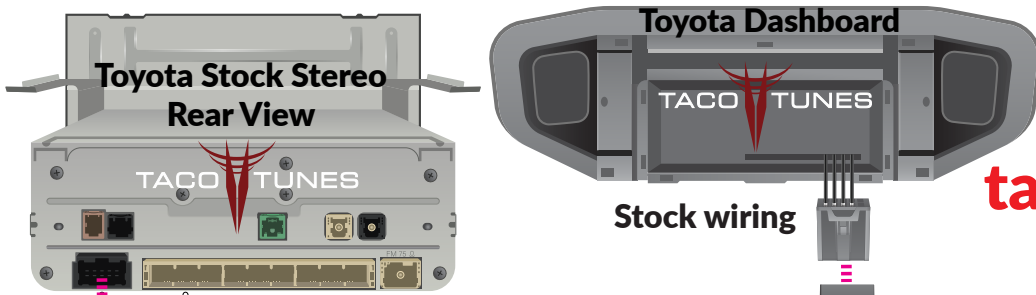


**High level input amp setting  
(where applicable)**

**Power  
(from battery)**

**Ground**

**TACO  
TUNES**



# How to add a powered sub to stock stereo using tacotunes Add a Subwoofer Harness HIGH LEVEL INPUT WITH RCA ADAPTER

**Tacotunes  
Add a Subwoofer Harness**



**Connect to  
LOC/AMP/ POWERED SUB  
(where applicable)**

17 Feet

Connect harness to RCA adapter accordingly:

**Purple (+) : Positive  
Purple/Black (-) : Negative**

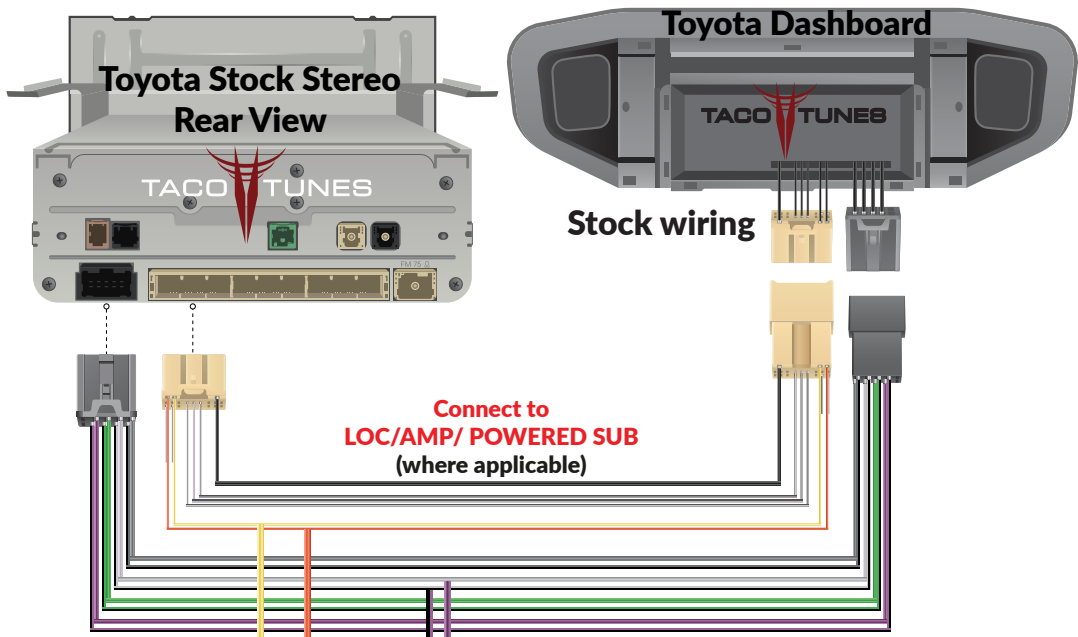
RCA adapters available  
on our website



**Power  
(from battery)**

**Ground**

# How to add a powered sub to stock stereo using tacotunes Add a Subwoofer Harness. **LOW LEVEL INPUT WITH AUDIO CONTROL LC2i PRO**

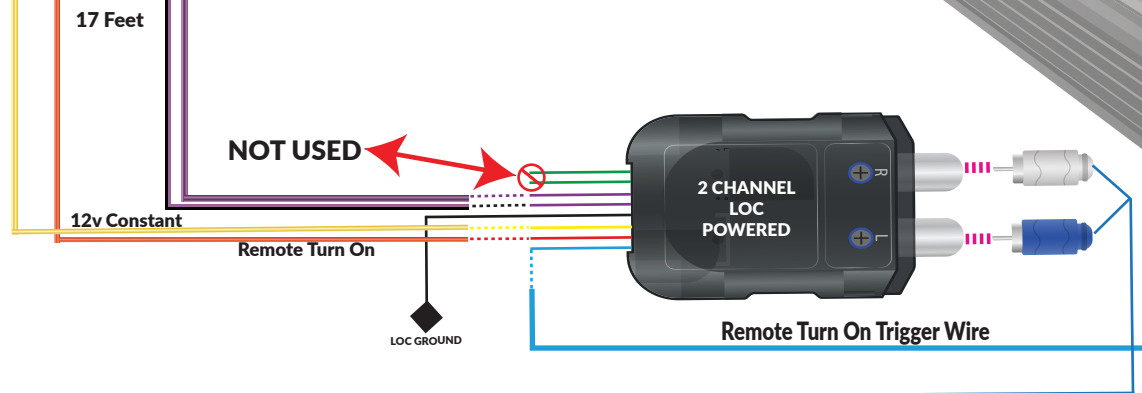
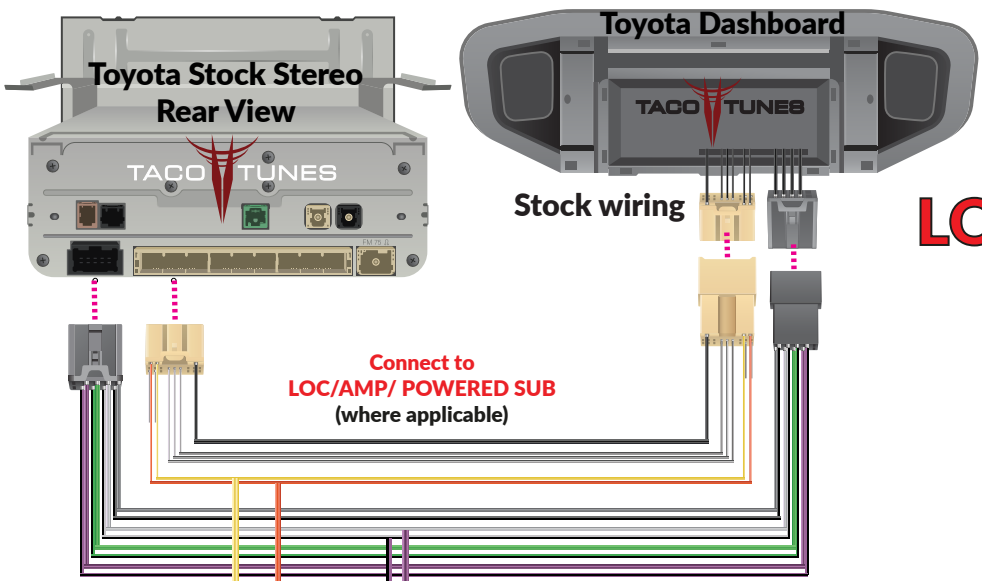


**Power**  
(from battery)

**Ground**

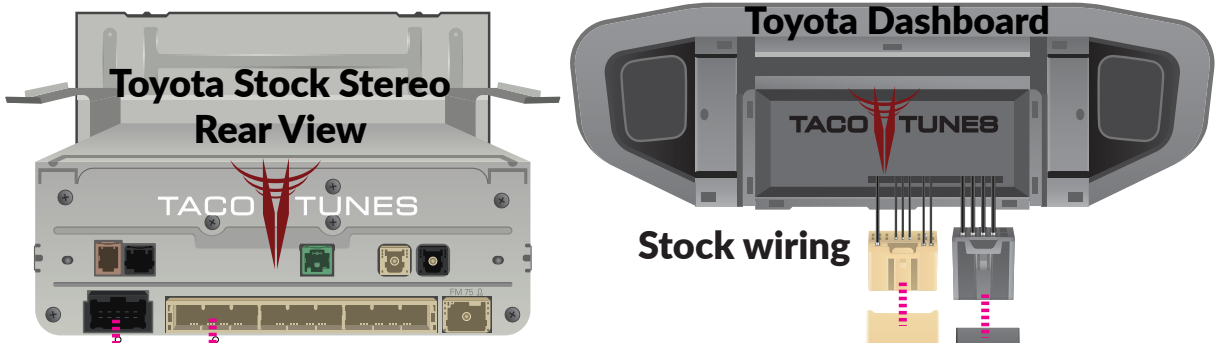
# How to add a powered sub to stock stereo using tacotunes Add a Subwoofer Harness.

## LOW LEVEL INPUT WITH POWERED 2 CHANNEL LOC



# How to add a powered sub to stock stereo using tacotunes Add a Subwoofer Harness.

## LOW LEVEL INPUT WITH 2 CHANNEL LOC



Stock wiring

Connect to LOC/AMP/ POWERED SUB (where applicable)

17 Feet

NOT USED

Connect to LOC leads



Yellow/12v Constant wire is NOT used in this scenerio Do NOT use it to power your subwoofer



Power (from battery)

Ground

# Click here for notes on how to set up your powered sub and list of FAQ

Example Powered Subwoofer

