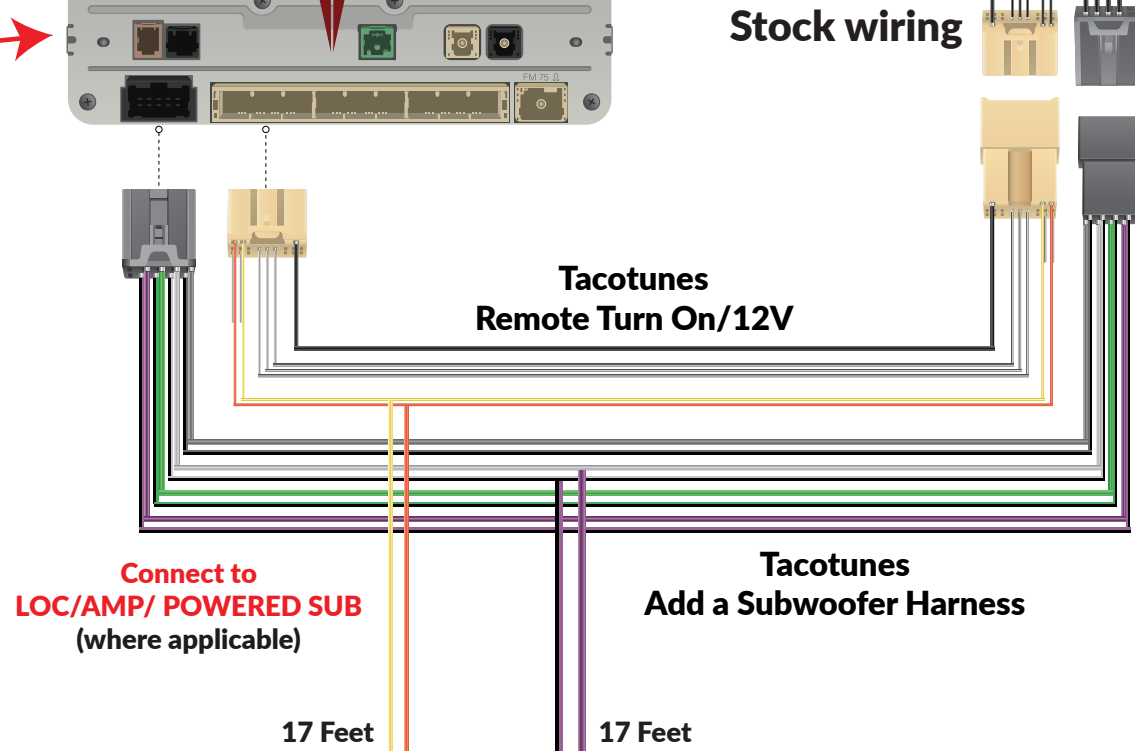


2020+ Toyota 4Runner

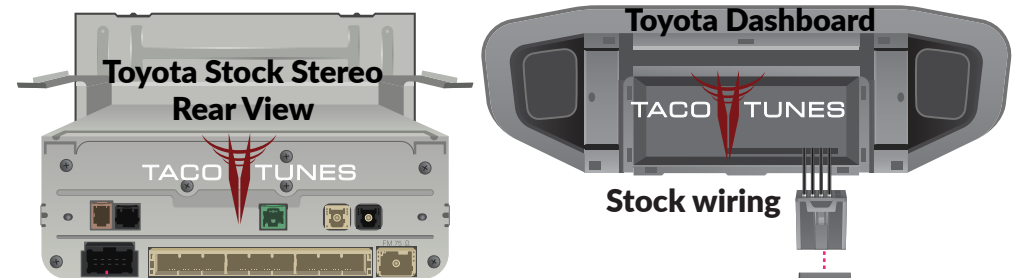
Add Subwoofer(s) to stock stereo - fast & easy!

- No cutting or splicing factory wires!
- Works with most amplifier brands.
- Works with aftermarket stereos also!



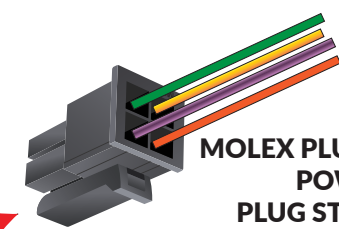
[CLICK HERE](#)
Plug & Play Harnesses

How to add a powered sub to stock stereo using tacotunes Add a Subwoofer Harness **HIGH LEVEL INPUT WITH MOLEX PLUG**



**Connect to
LOC/AMP/ POWERED SUB
(where applicable)**

17 Feet



**MOLEX PLUG INCLUDED WITH
POWERED SUB.
PLUG STYLES WILL VARY.**

Molex plug wire colors will vary.
Connect purple/black (-) to Left negative
Connect purple (+) to Left positive



**High level input amp setting
(where applicable)**

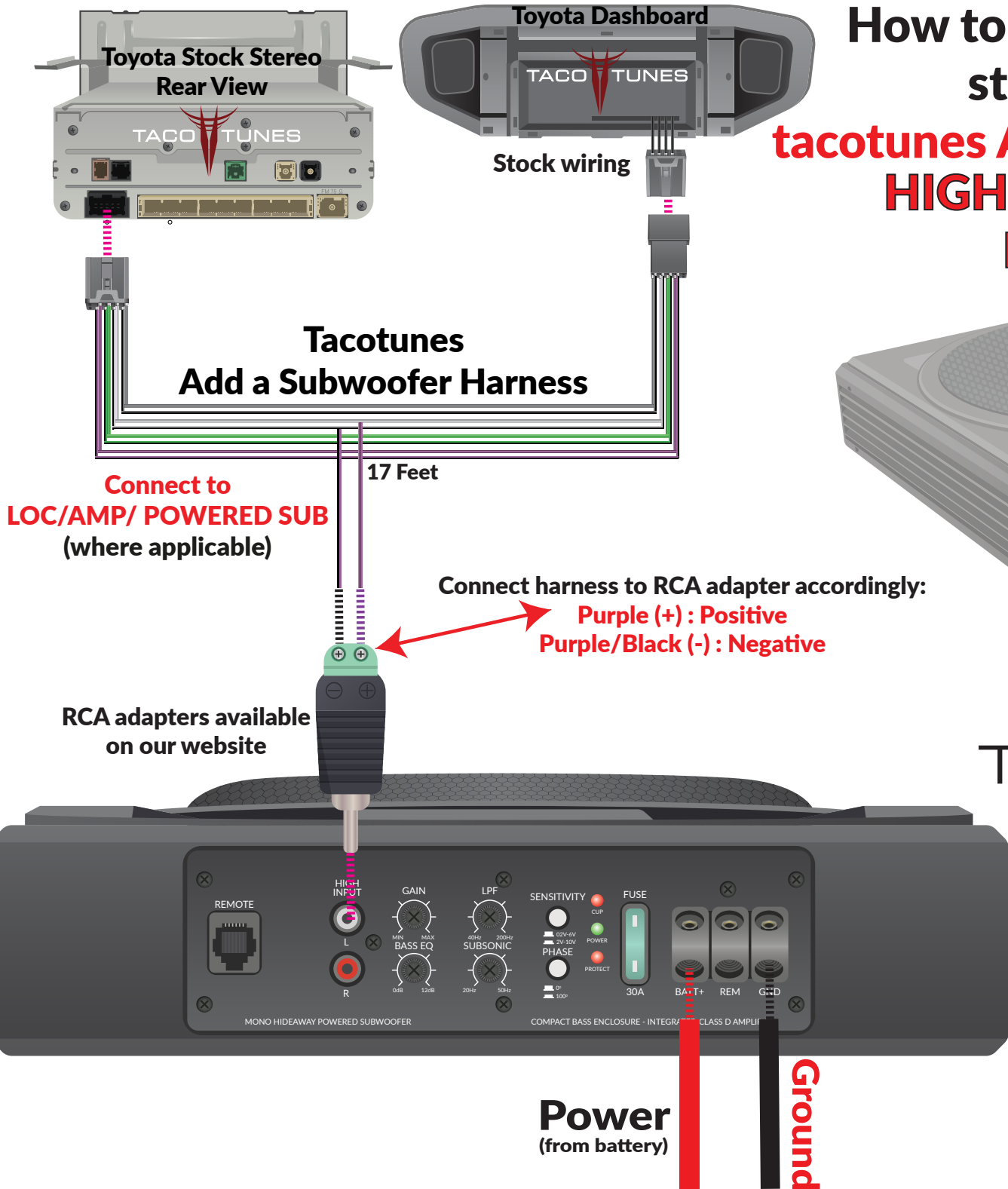
**Power
(from battery)**

Ground

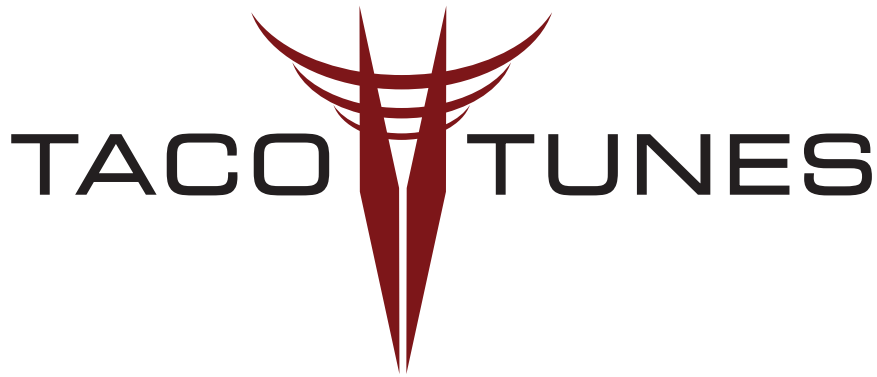
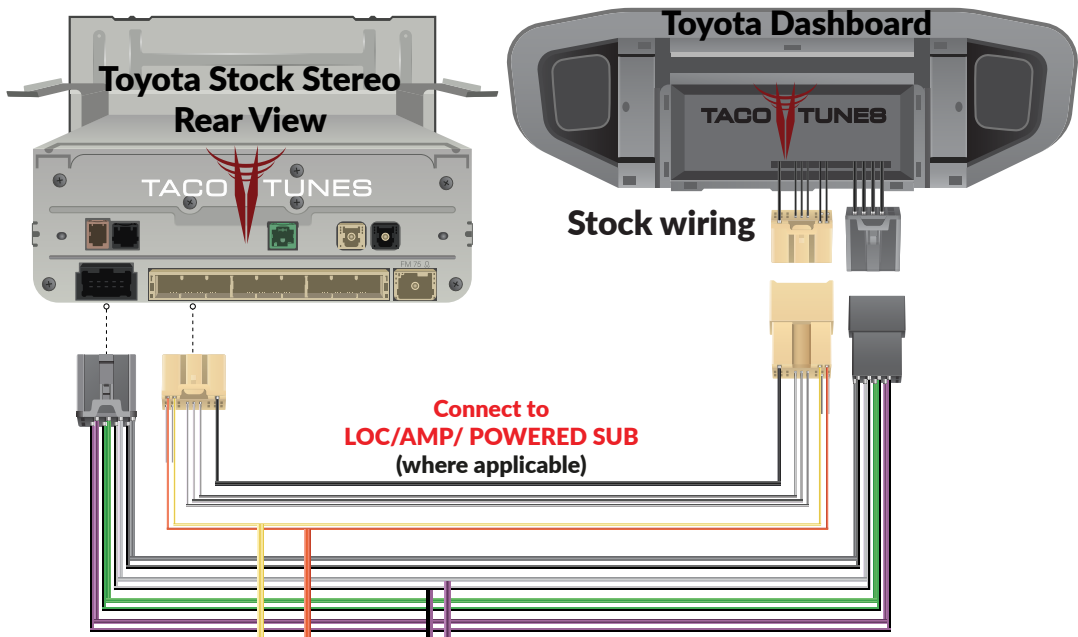
TACO TUNES

How to add a powered sub to stock stereo using

tacotunes Add a Subwoofer Harness **HIGH LEVEL INPUT WITH** **RCA ADAPTER**



How to add a powered sub to stock stereo using tacotunes Add a Subwoofer Harness. **LOW LEVEL INPUT WITH AUDIO CONTROL LC2i PRO**

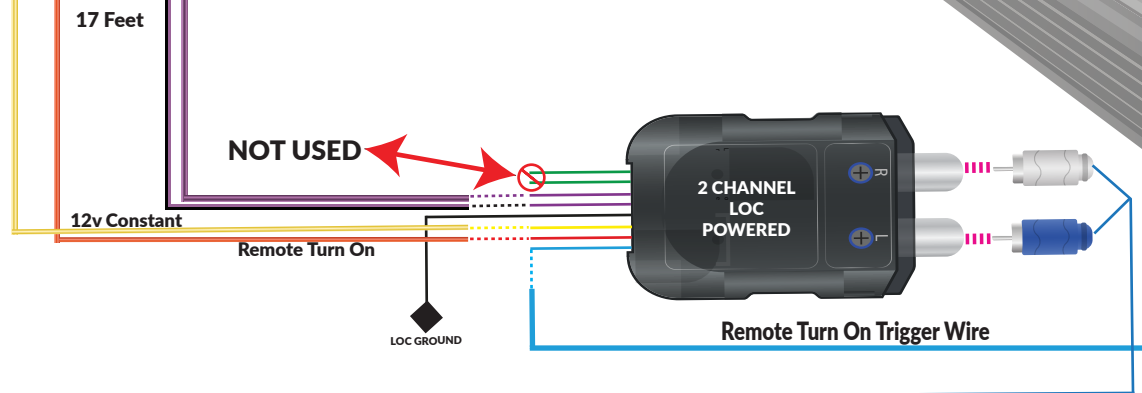
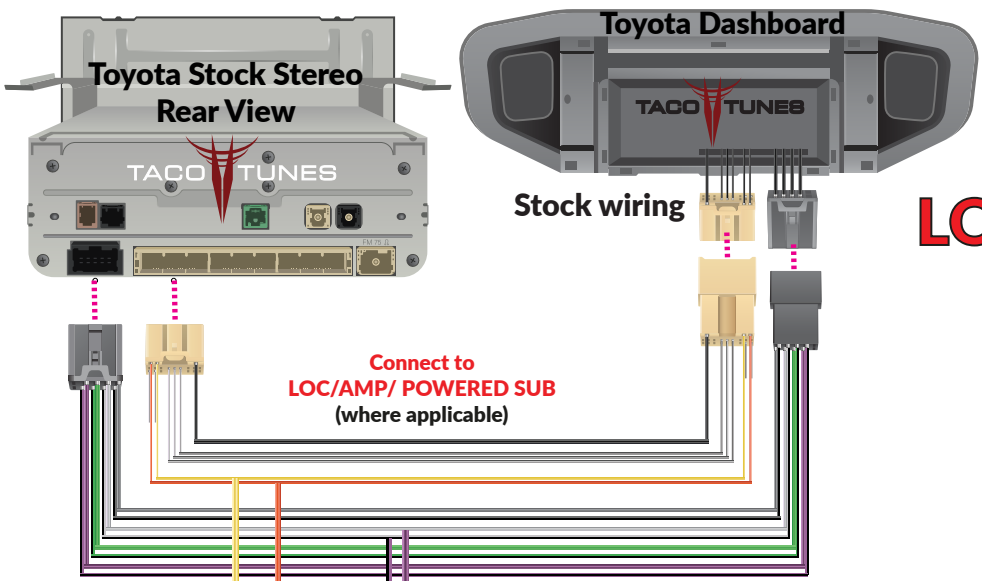


Power
(from battery)

Ground

How to add a powered sub to stock stereo using tacotunes Add a Subwoofer Harness.

LOW LEVEL INPUT WITH POWERED 2 CHANNEL LOC

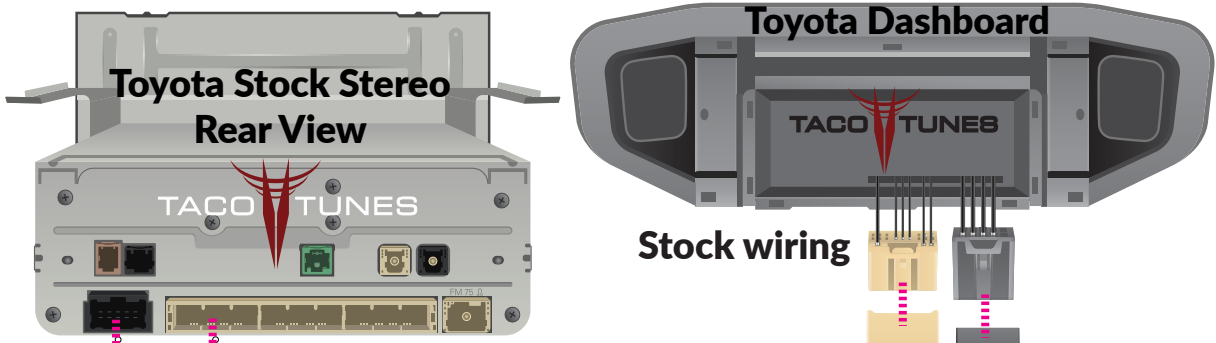
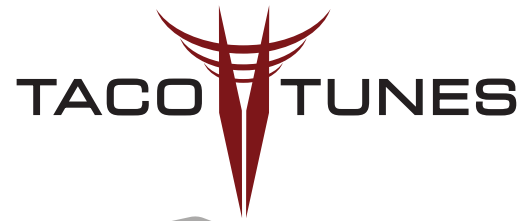


POWER (FROM BATTERY)

Ground

How to add a powered sub to stock stereo using tacotunes Add a Subwoofer Harness.

LOW LEVEL INPUT WITH 2 CHANNEL LOC



Stock wiring

Connect to LOC/AMP/ POWERED SUB (where applicable)

17 Feet

NOT USED

Connect to LOC leads



Yellow/12v Constant wire is NOT used in this scenerio Do NOT use it to power your subwoofer

Power (from battery)

Ground

Click here for notes on how to set up your powered sub and list of FAQ

Example Powered Subwoofer

