

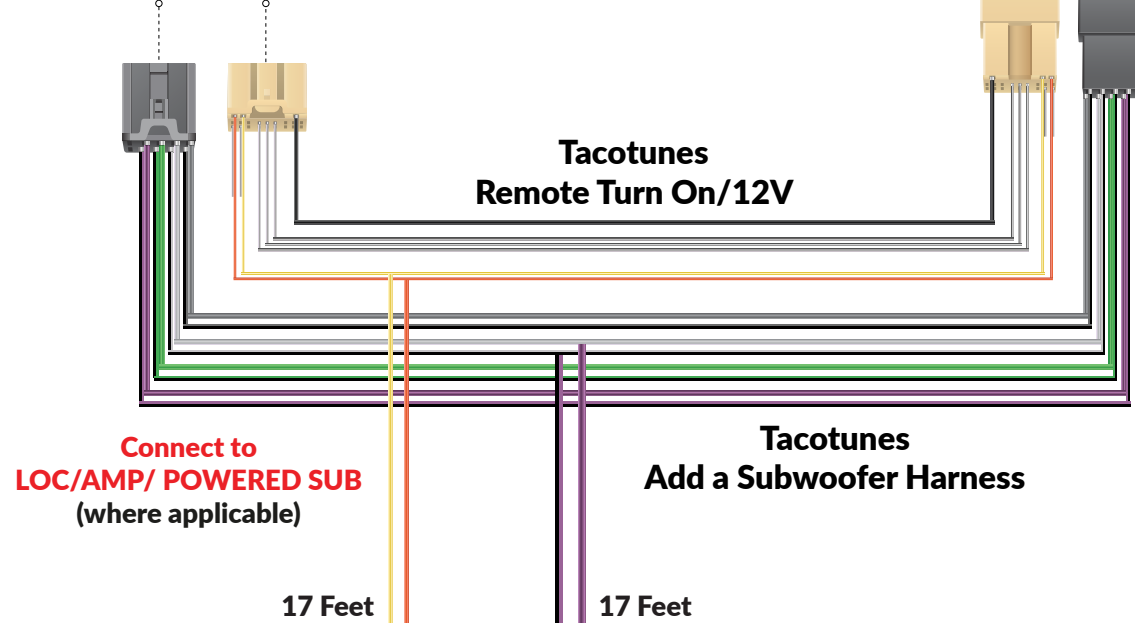
# 2021+ Toyota Venza

## Add Subwoofer(s) to stock stereo - fast & easy!

- No cutting or splicing factory wires!
- Works with most amplifier brands.
- Works with aftermarket stereos also!



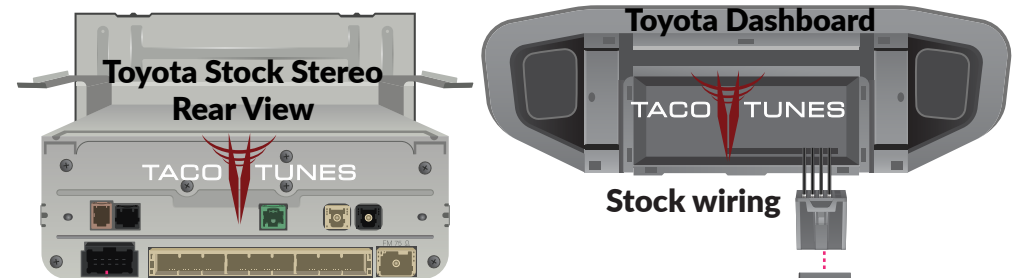
Stock wiring



[CLICK HERE](#)  
 Plug & Play Harnesses

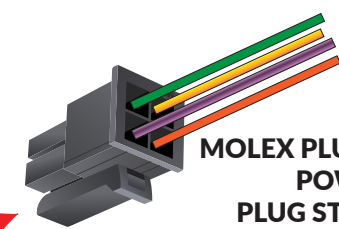
# How to add a powered sub to stock stereo using **tacotunes Add a Subwoofer Harness**

## **HIGH LEVEL INPUT WITH MOLEX PLUG**



**Connect to LOC/AMP/ POWERED SUB (where applicable)**

17 Feet



**MOLEX PLUG INCLUDED WITH POWERED SUB. PLUG STYLES WILL VARY.**

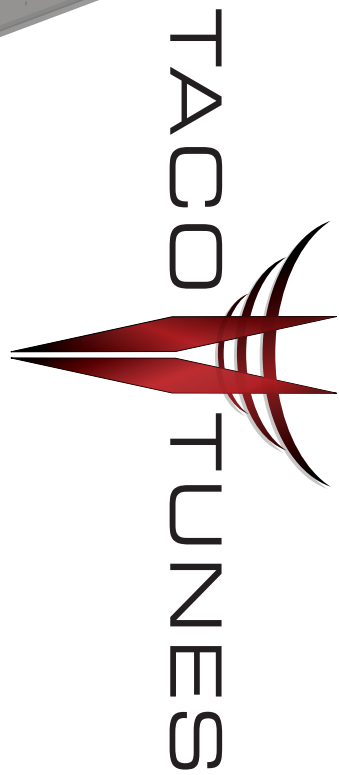
Molex plug wire colors will vary. Connect purple/black (-) to Left negative. Connect purple (+) to Left positive.



**High level input amp setting (where applicable)**

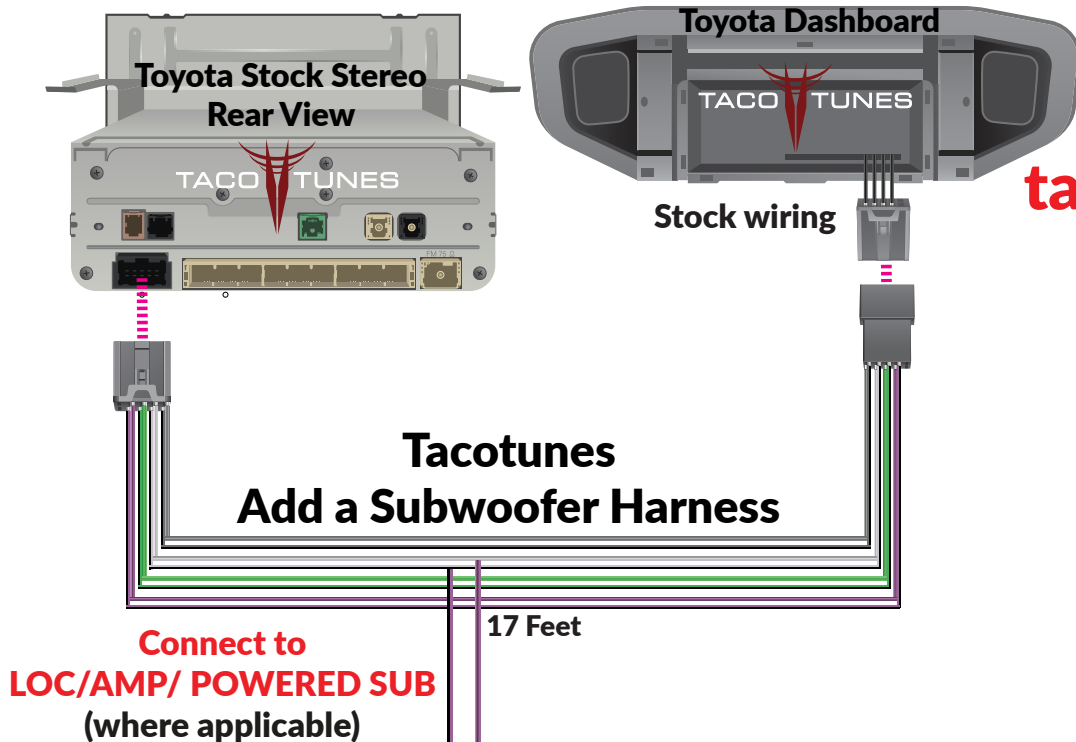
**Power (from battery)**

**Ground**



# How to add a powered sub to stock stereo using

## **tacotunes Add a Subwoofer Harness** **HIGH LEVEL INPUT WITH** **RCA ADAPTER**



Connect harness to RCA adapter accordingly:

**Purple (+) : Positive**  
**Purple/Black (-) : Negative**

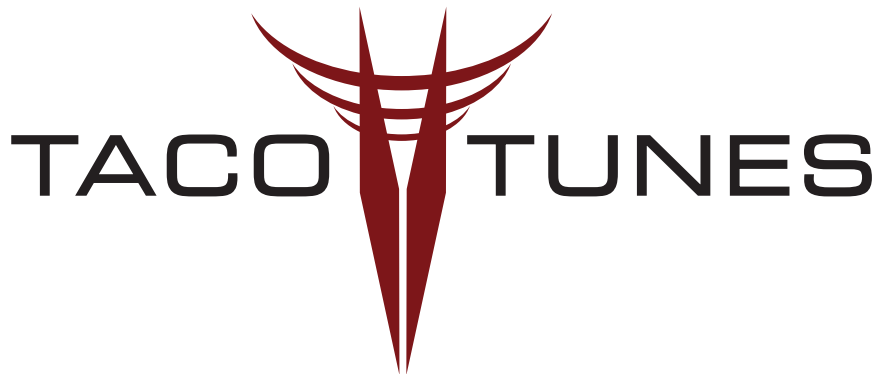
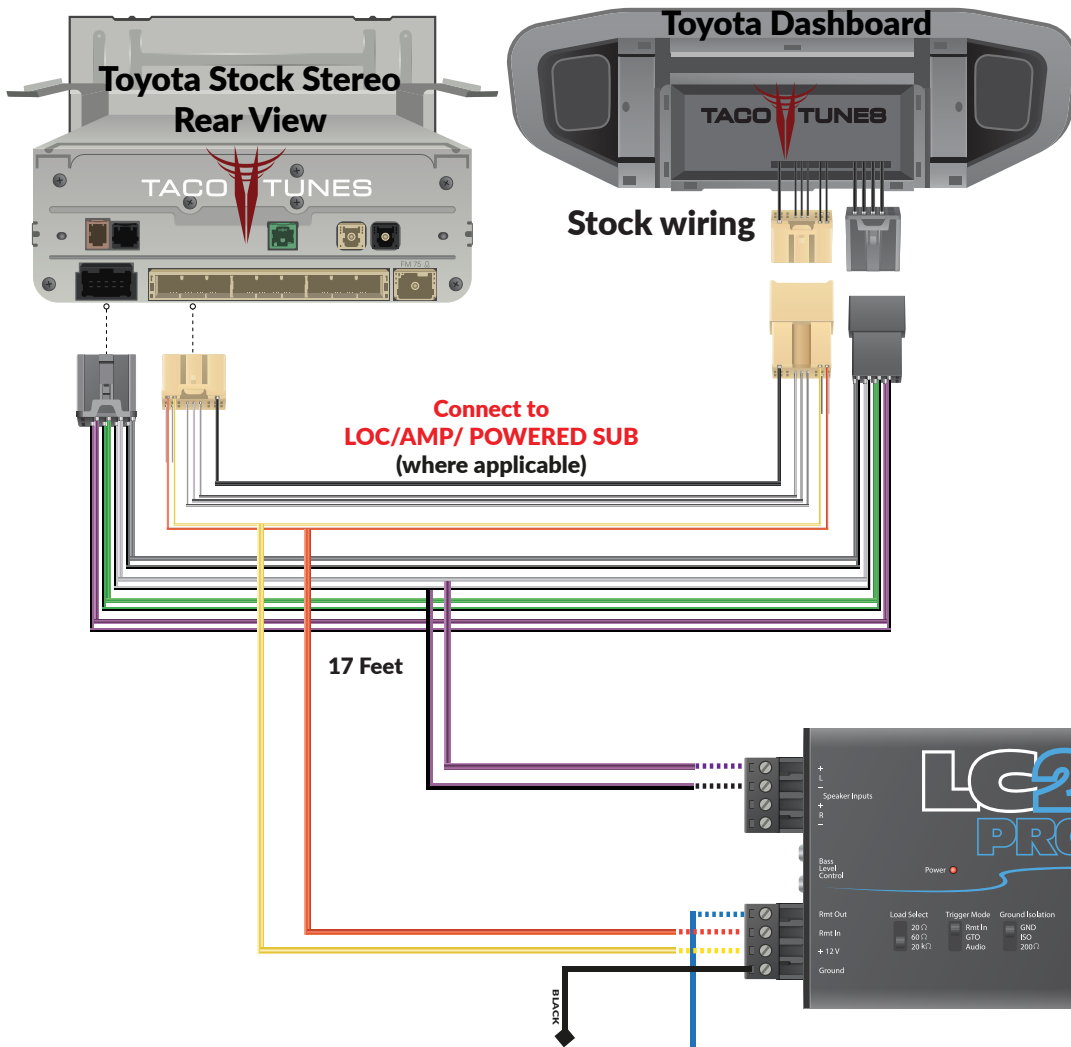
RCA adapters available on our website



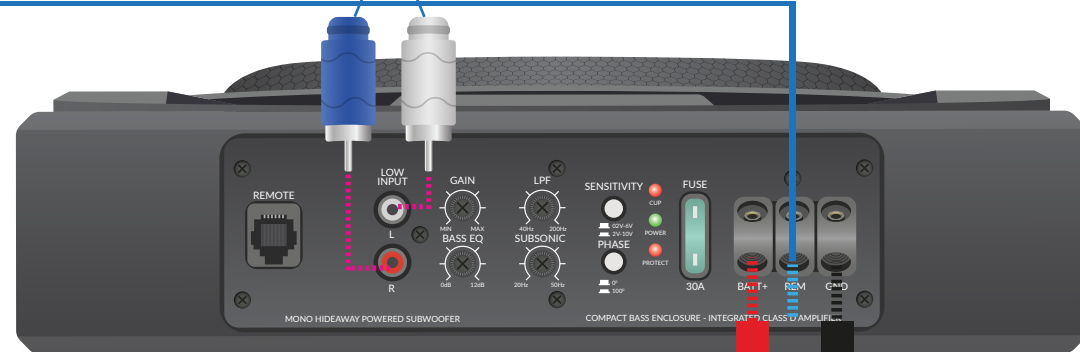
**Power**  
(from battery)

**Ground**

# How to add a powered sub to stock stereo using tacotunes Add a Subwoofer Harness. **LOW LEVEL INPUT WITH AUDIO CONTROL LC2i PRO**



REMOTE TURN ON TRIGGER WIRE

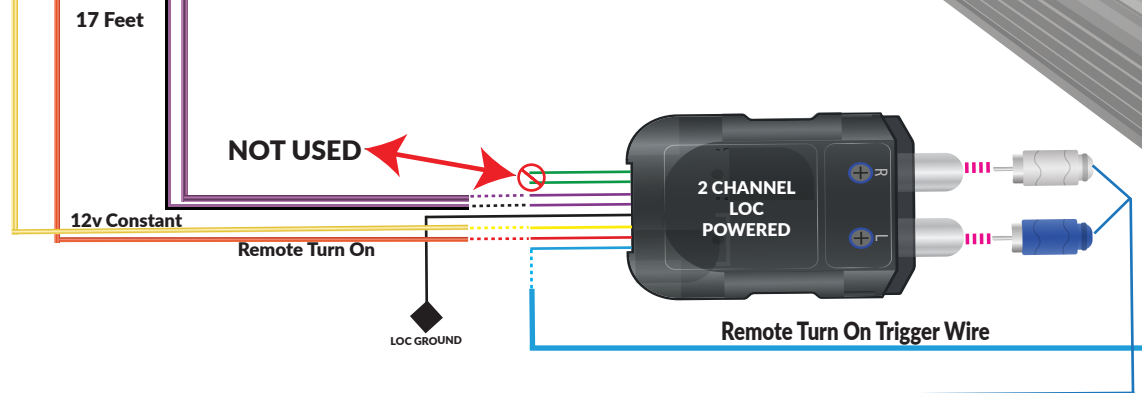
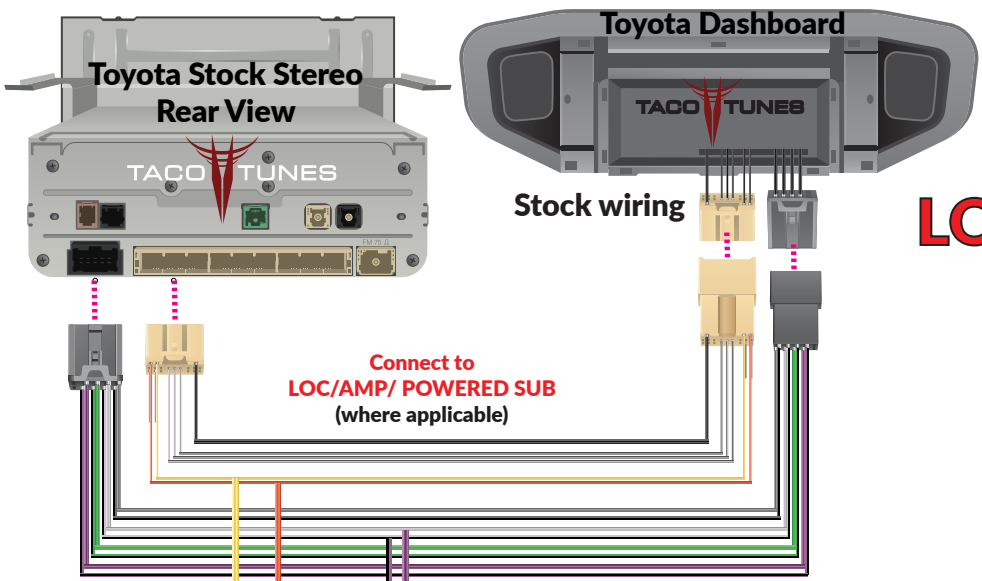


Power  
(from battery)

Ground

# How to add a powered sub to stock stereo using tacotunes Add a Subwoofer Harness.

## LOW LEVEL INPUT WITH POWERED 2 CHANNEL LOC

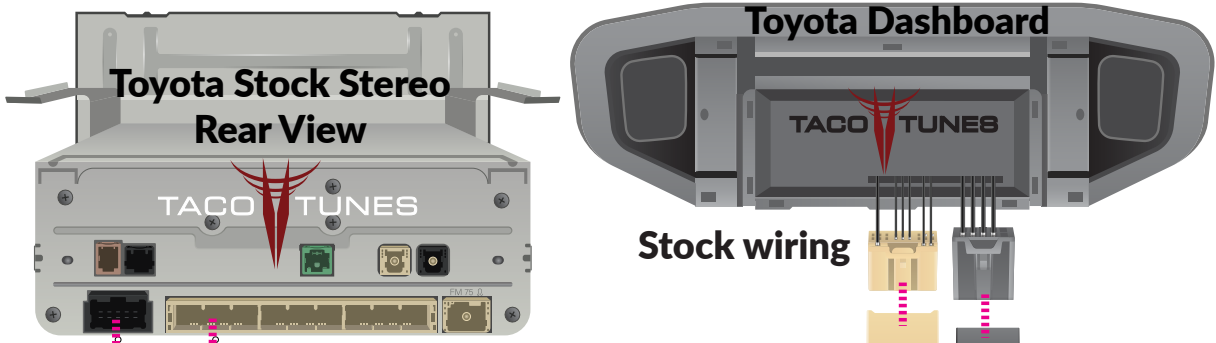


POWER (FROM BATTERY)

Ground

# How to add a powered sub to stock stereo using tacotunes Add a Subwoofer Harness.

## LOW LEVEL INPUT WITH 2 CHANNEL LOC



Stock wiring

Connect to LOC/AMP/ POWERED SUB (where applicable)

17 Feet

NOT USED

Connect to LOC leads



Yellow/12v Constant wire is NOT used in this scenerio Do NOT use it to power your subwoofer



Power (from battery)

Ground

# Click here for notes on how to set up your powered sub and list of FAQ

Example Powered Subwoofer

