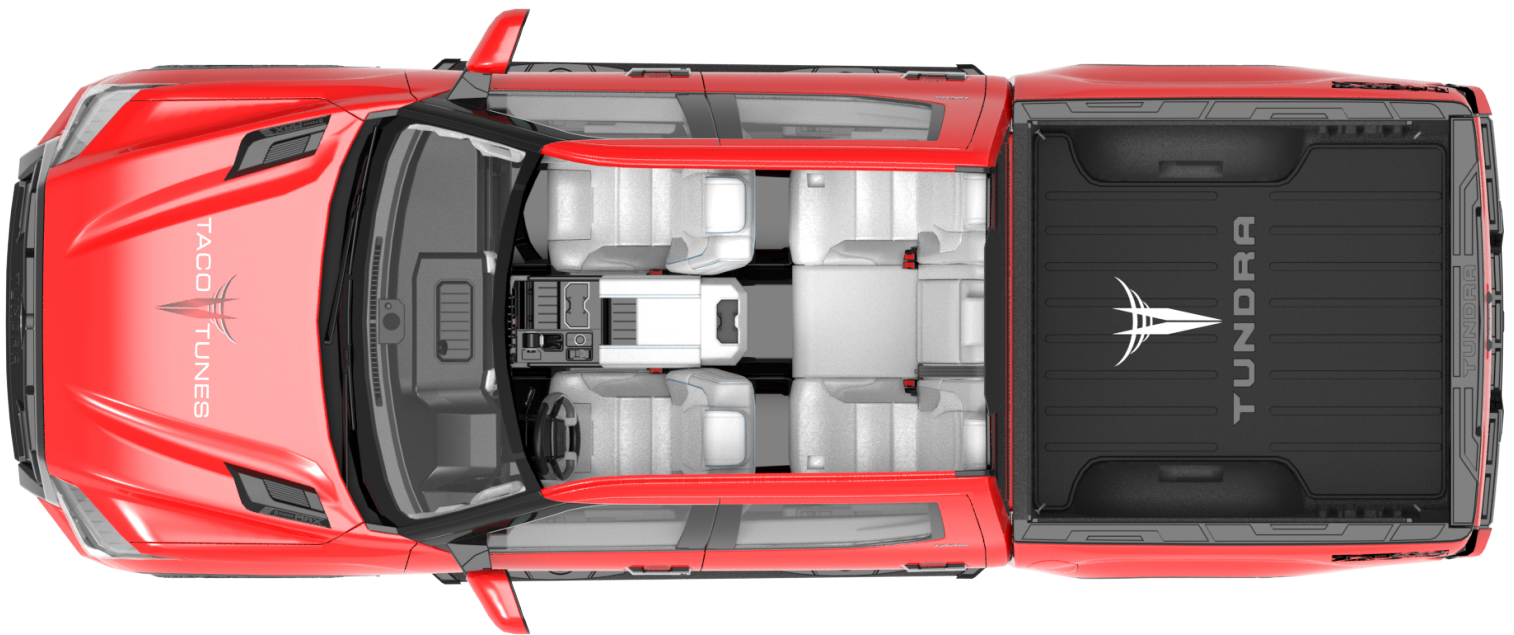
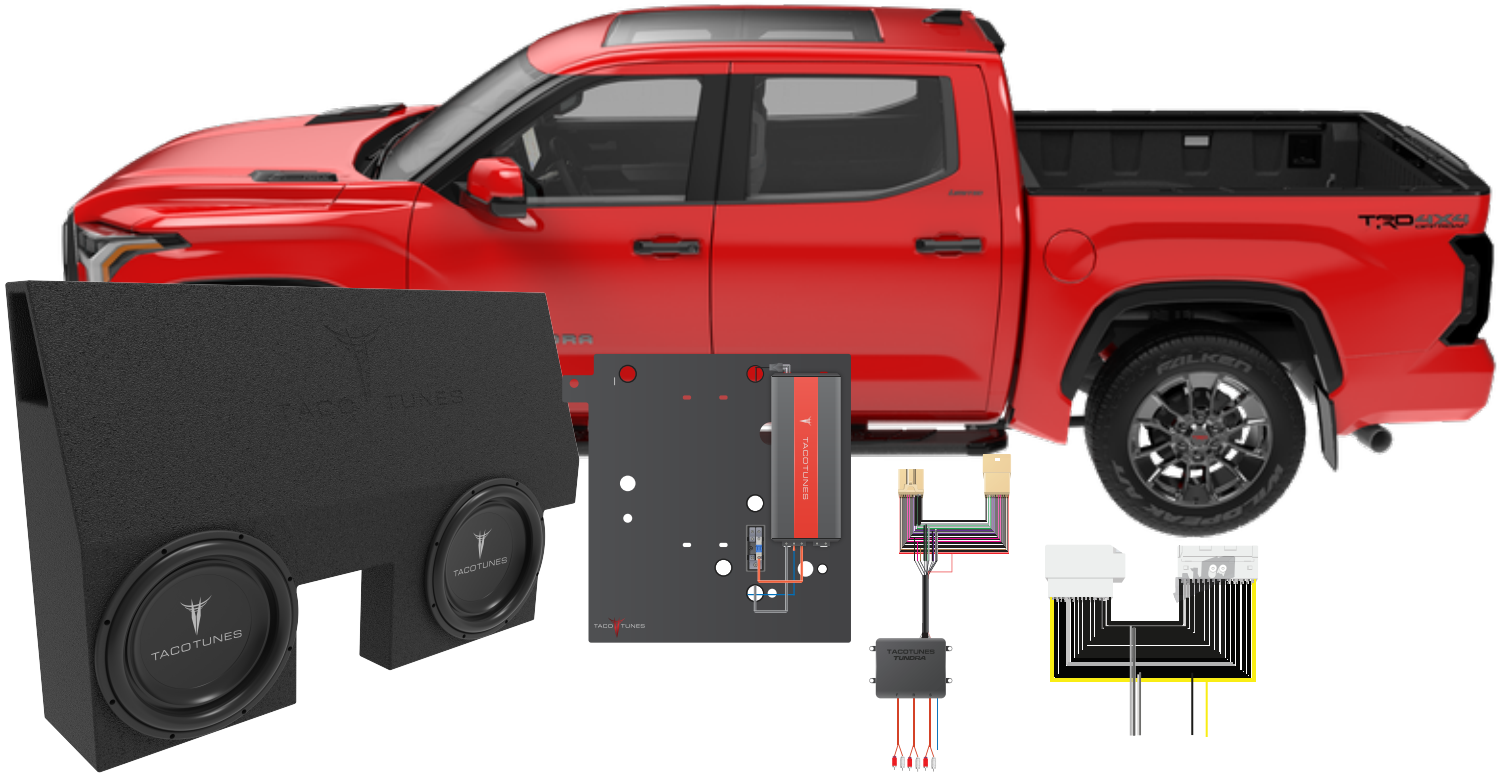
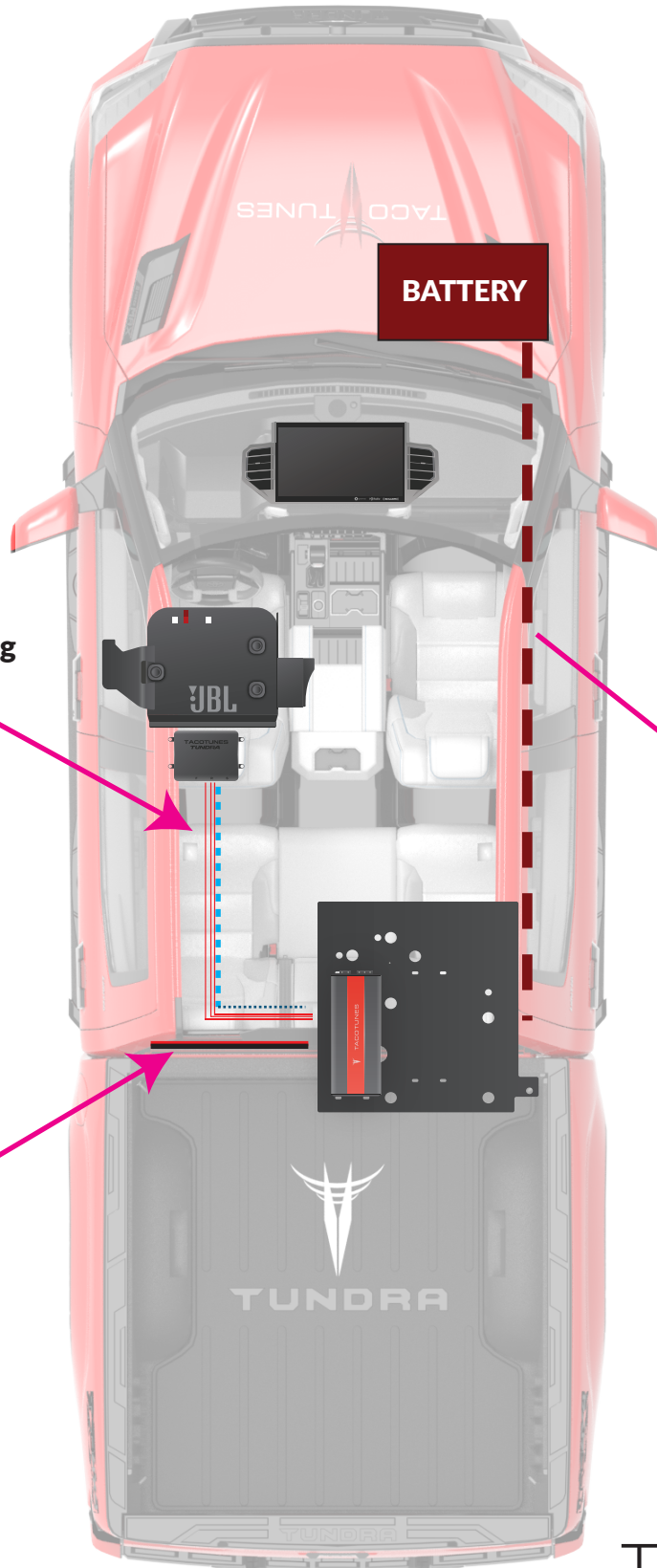


2022+ Toyota Tundra JBL Equipped Add a Subwoofer Complete Installation Manual



Plug & Play Integration Overview



BATTERY

**Connect to Factory amp/Wiring
and run to TXD Amps:**

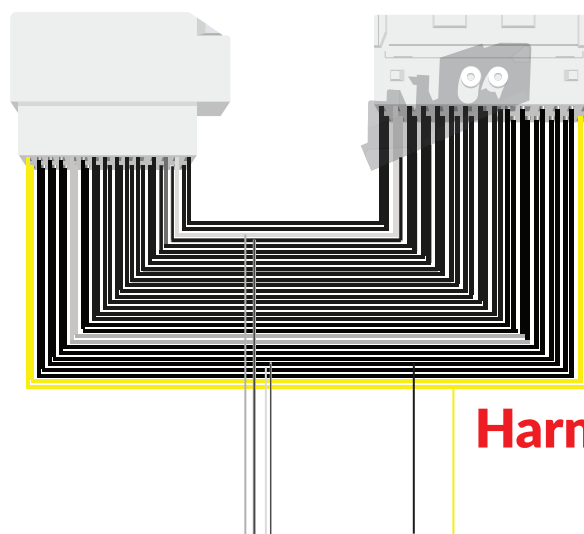
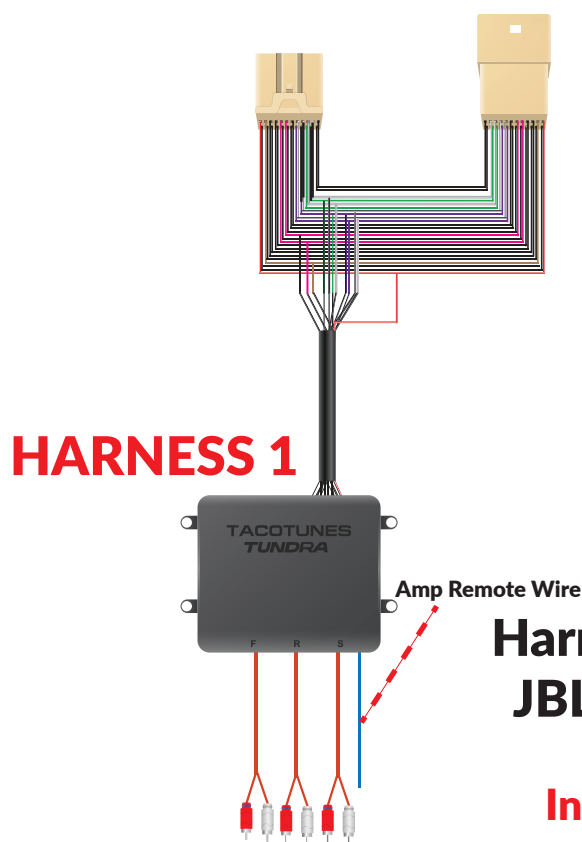
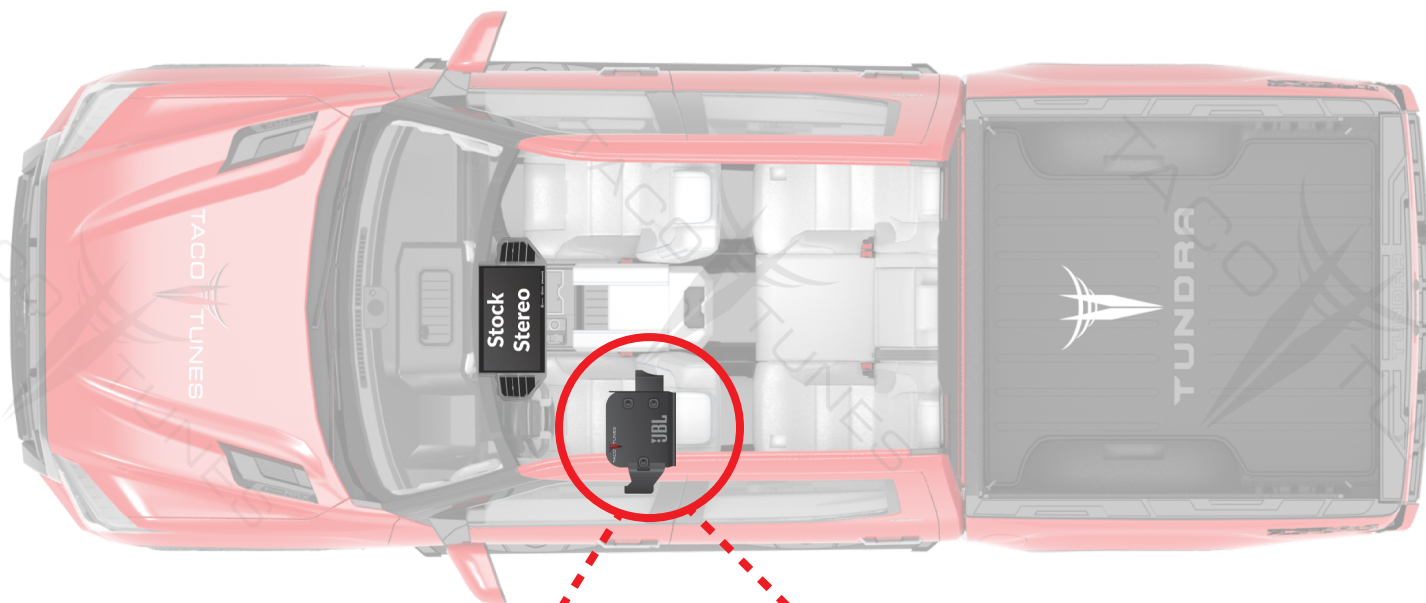
**Plug and Play harness 1 & 2
J.A.R.V.I.S
Blue Remote Wire
12ft RCA Cables**

**4G POWER WIRE
Runs from battery to
TXD Amplifiers**

**12 Gauge Subwoofer wire
behind the rear seat**



Dual Harness Plug and Play Integration

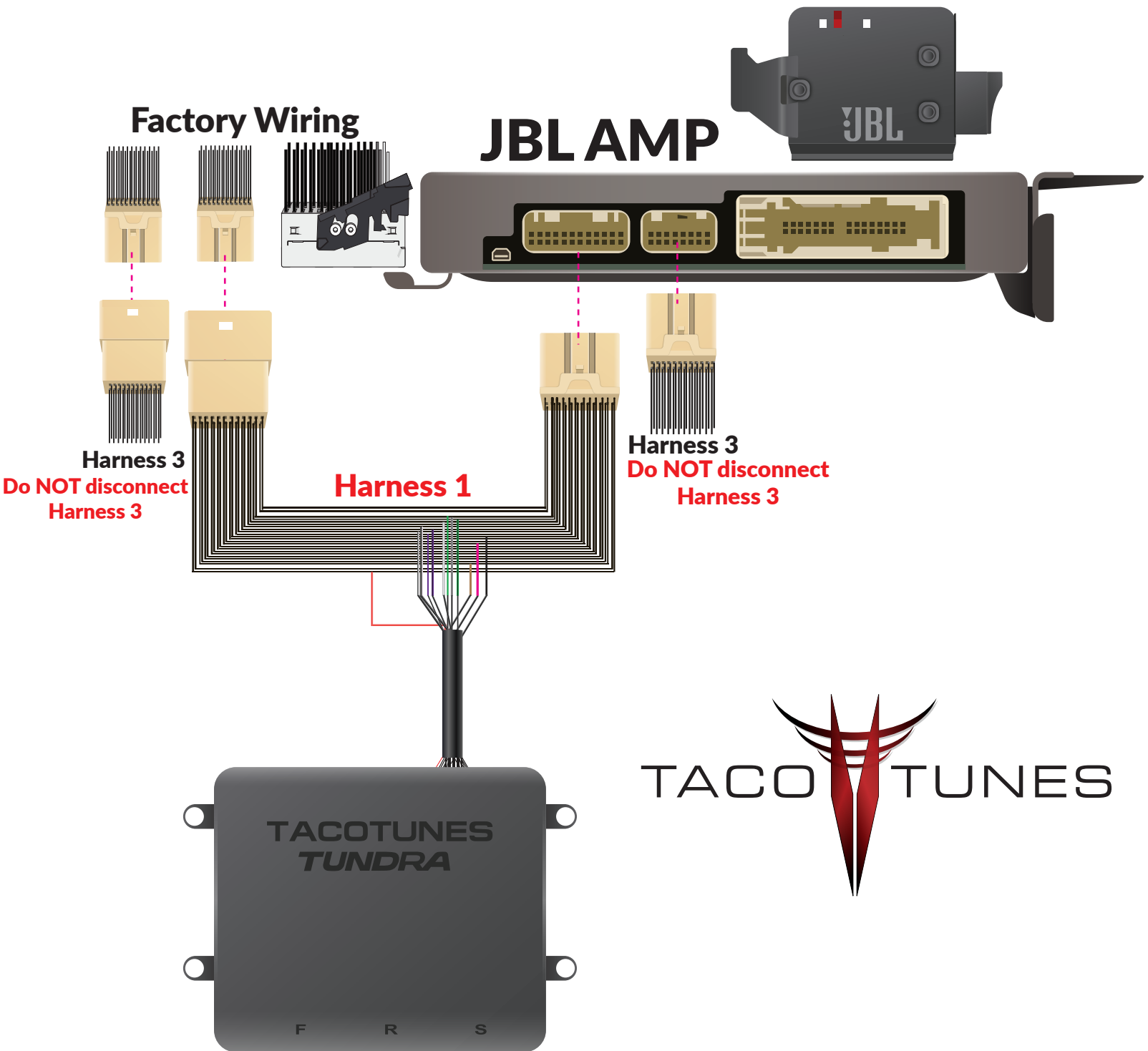


**Harness 1 & 2 plug directly into the factory
JBL amplifier & the factory wiring of your
Tundra**

**Install these harnesses according steps on the
following page**

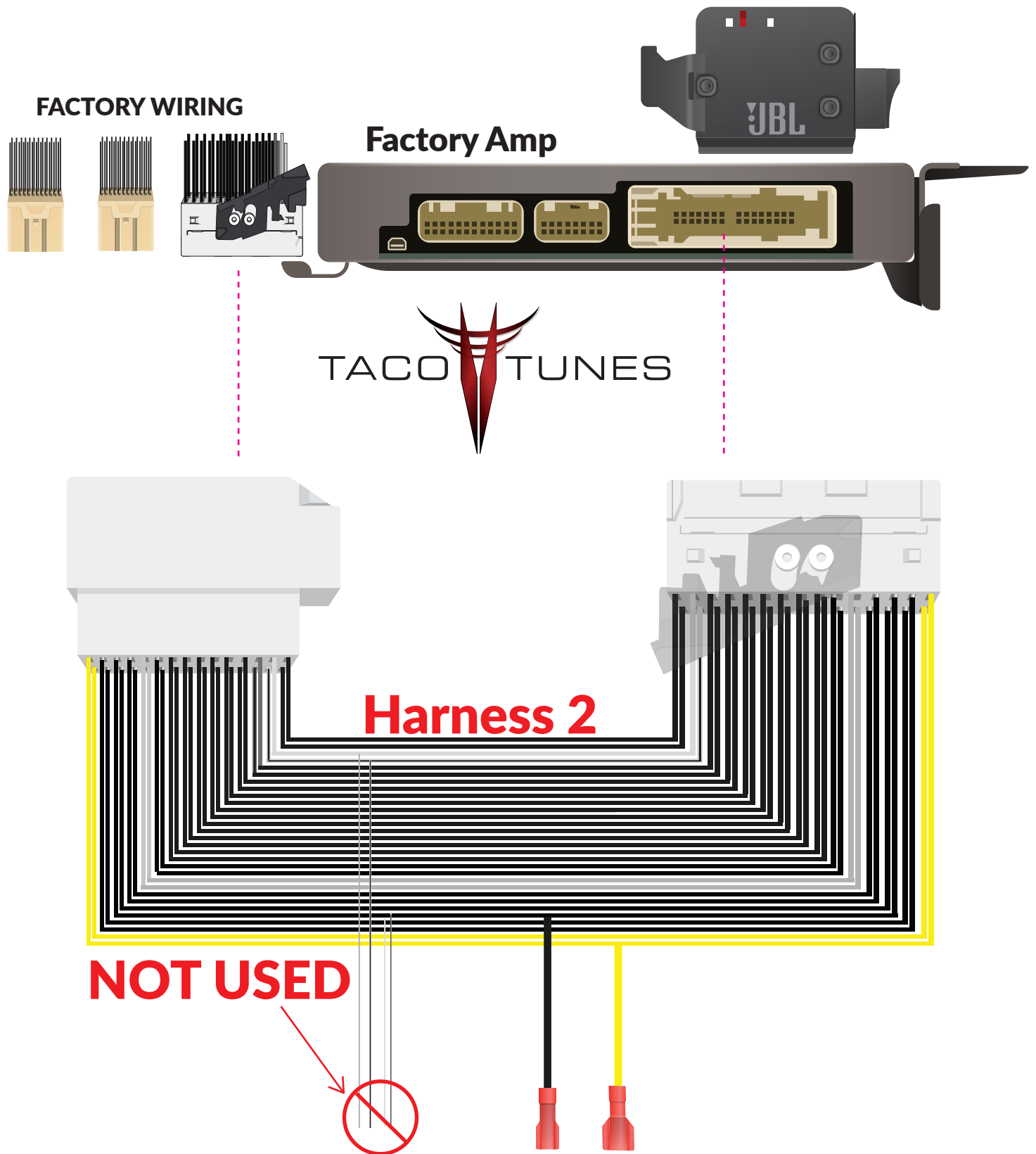
Section 1A-

Connect Harness 1 To Factory Amplifier & Wiring



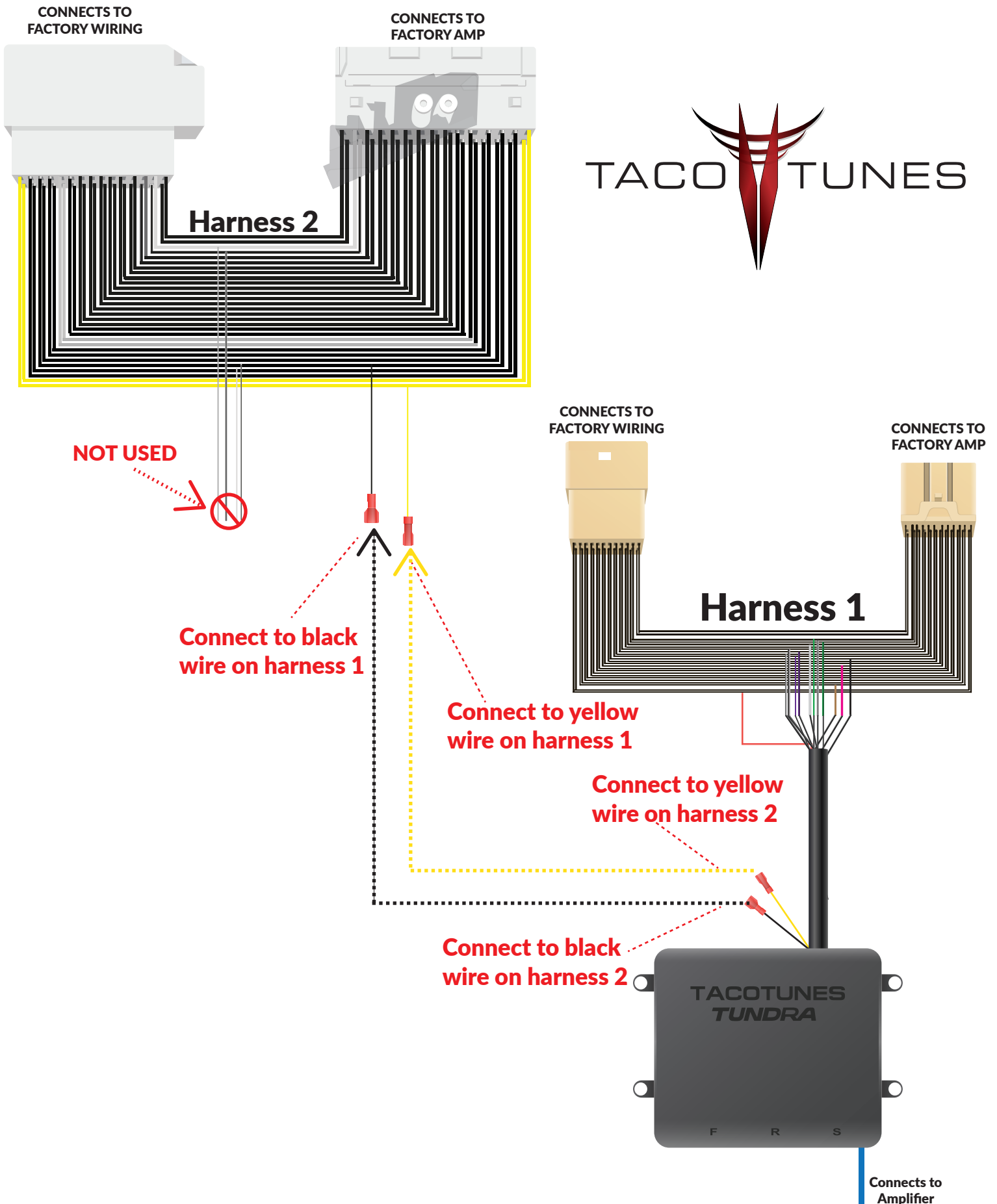
Section 1B-

Connect Harness 2 To Factory Amplifier & Wiring

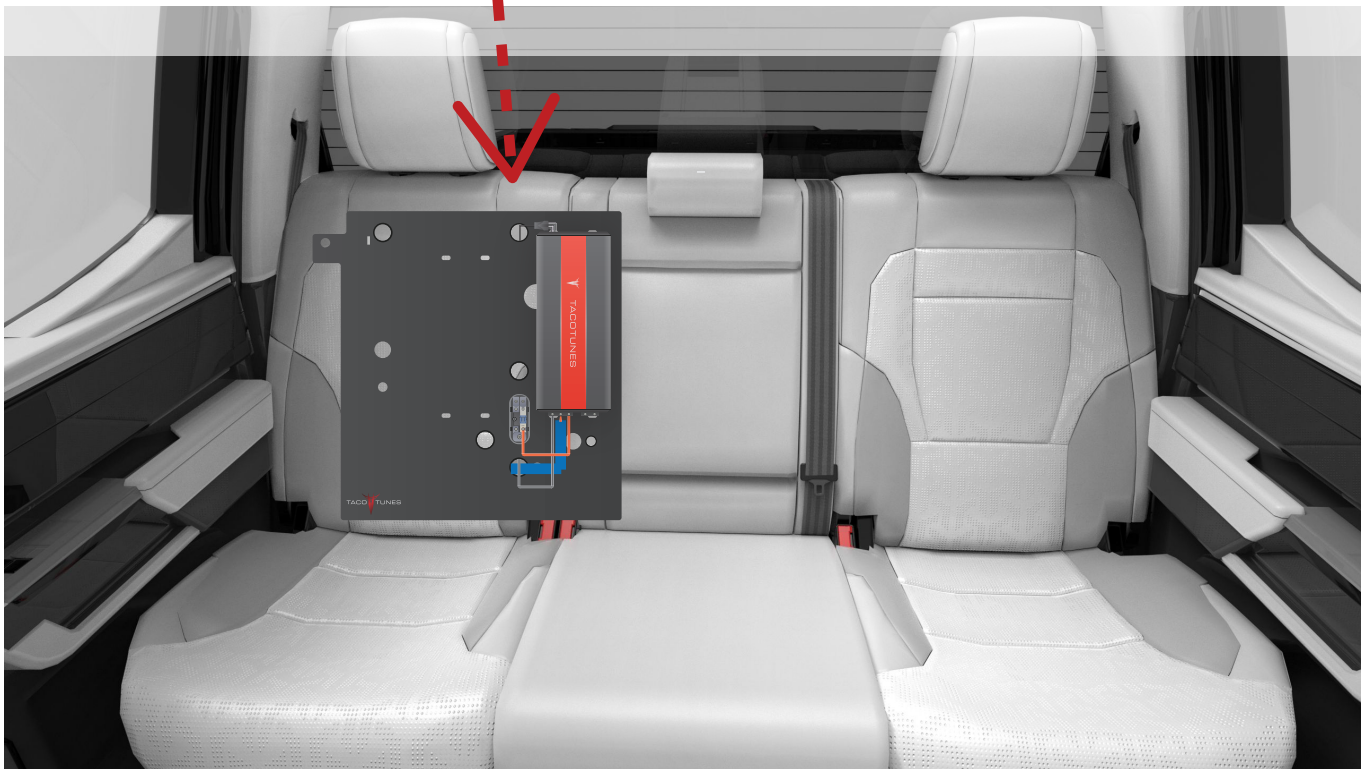
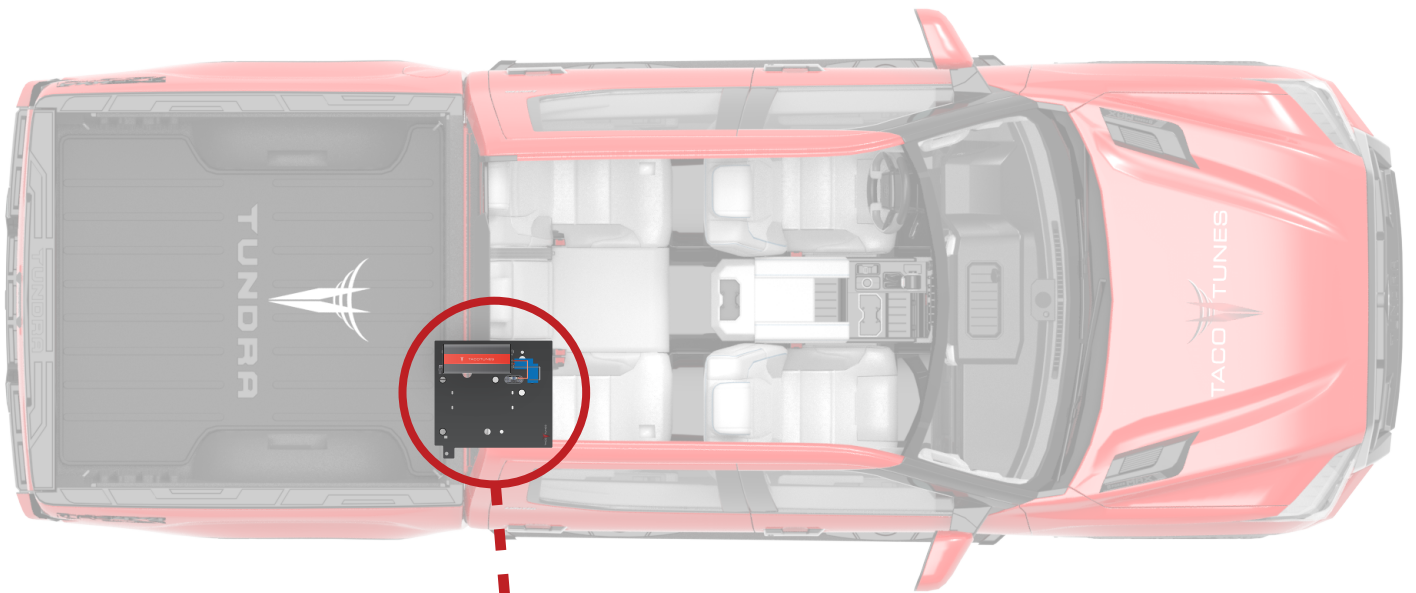


Section 1C-

Harness 1 & 2 Quick Disconnects



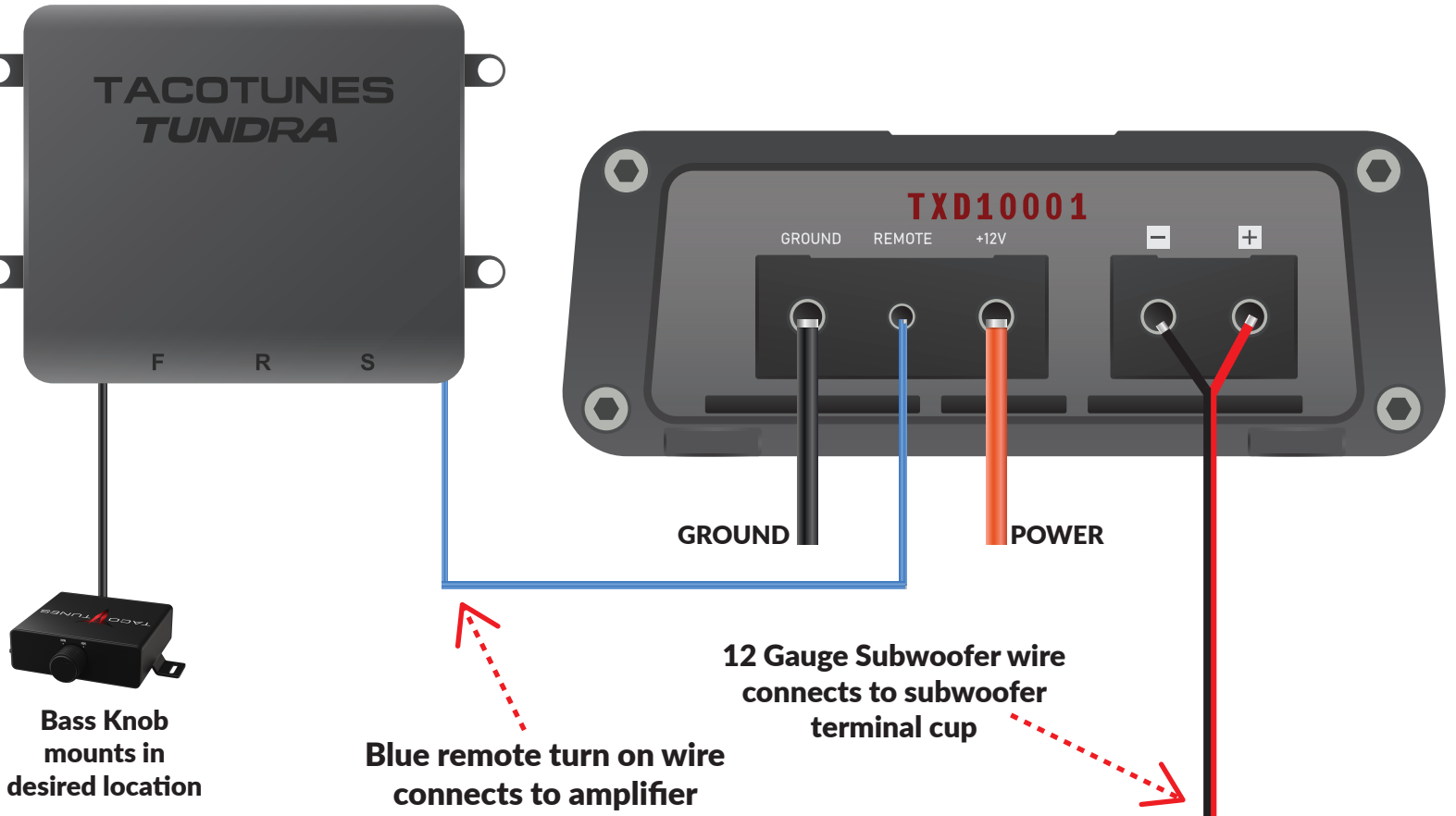
Amplifier Connections



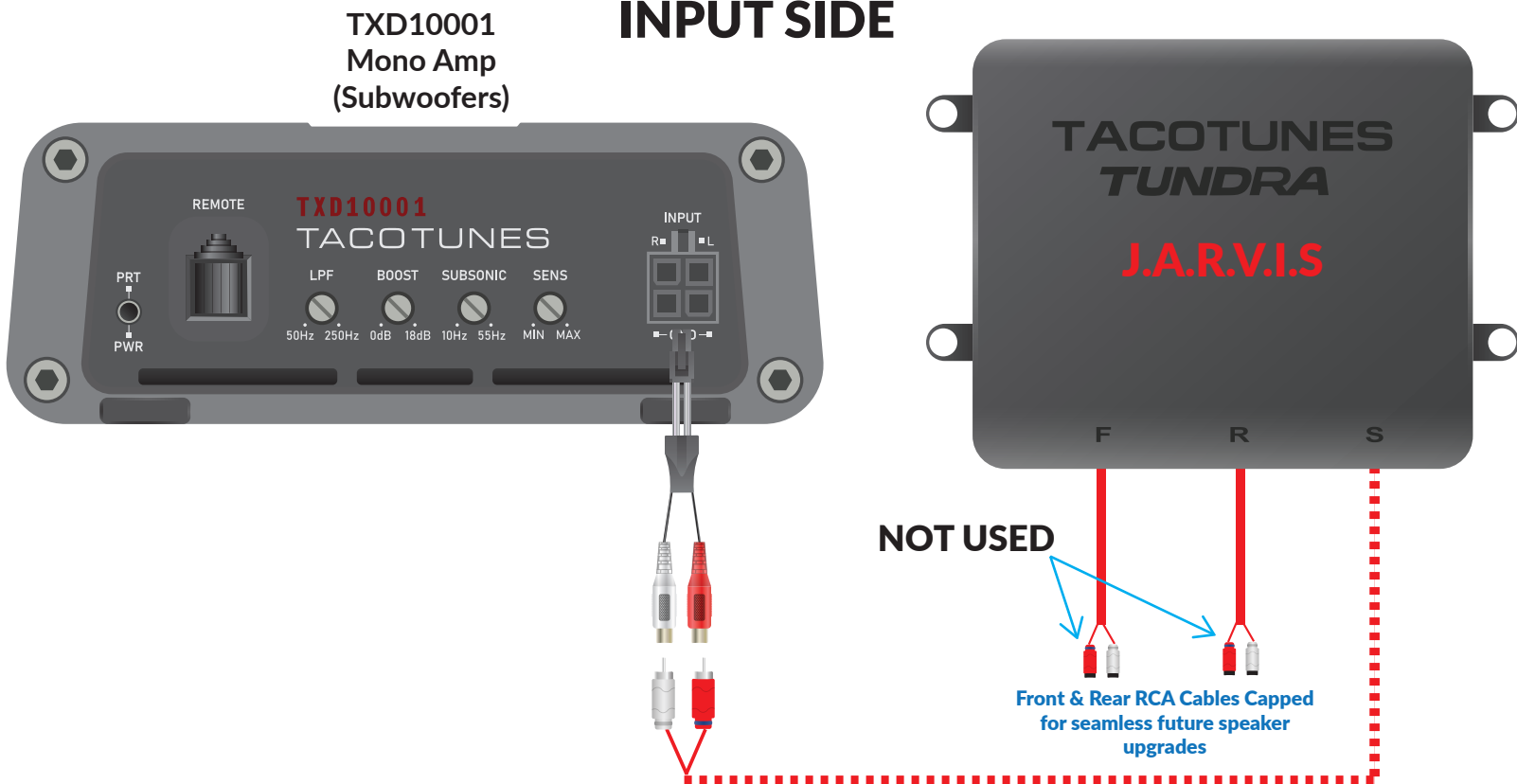
Make your amplifier connections according steps on the following pages

AMPLIFIER CONNECTIONS

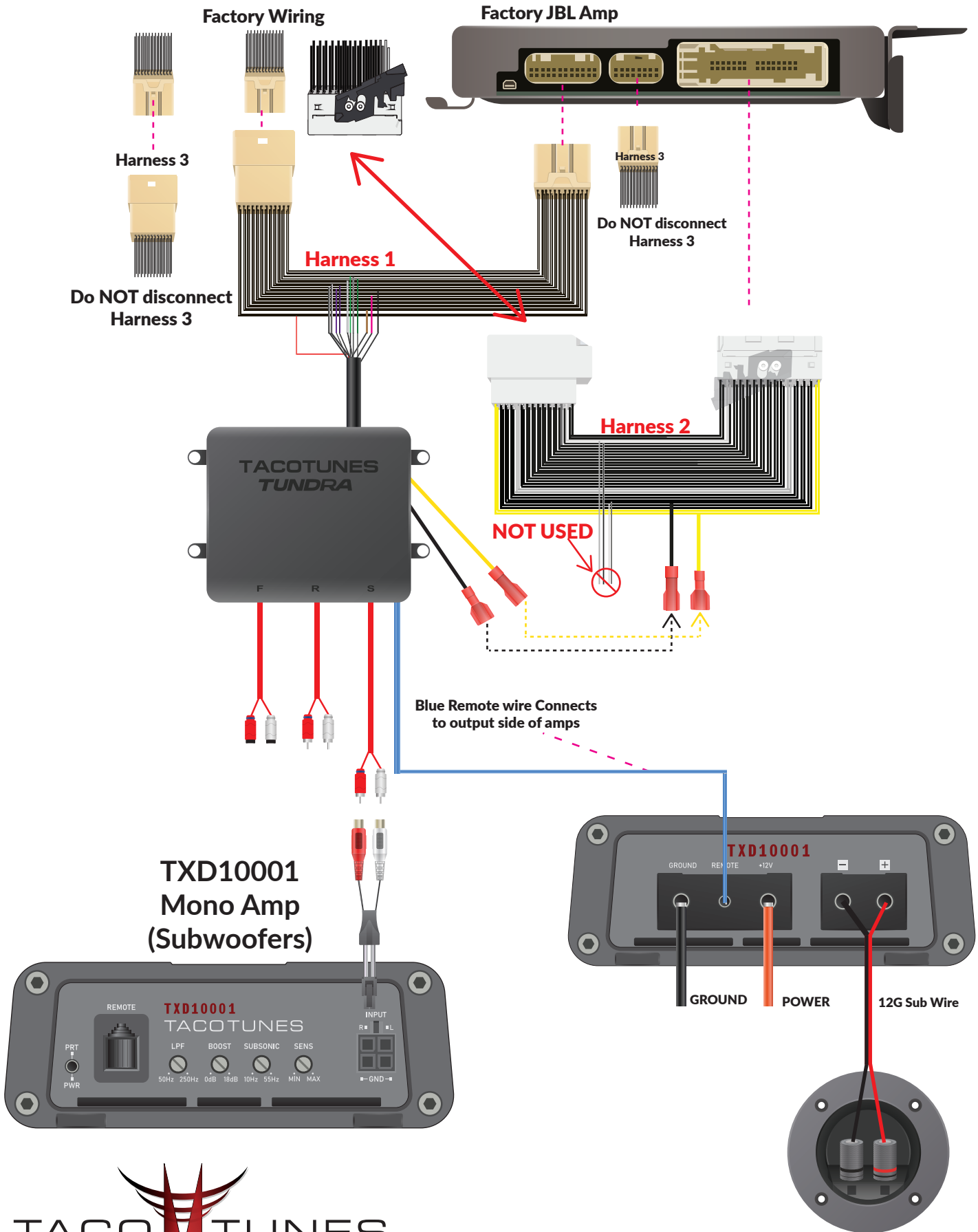
OUTPUT SIDE



INPUT SIDE



2022+ Toyota Tundra JBL Add a Subwoofer Connections Overview



Terminal cup is mounted to subwoofer enclosure

Amplifier Rack Assembly

Molex plug connects to input side of amp

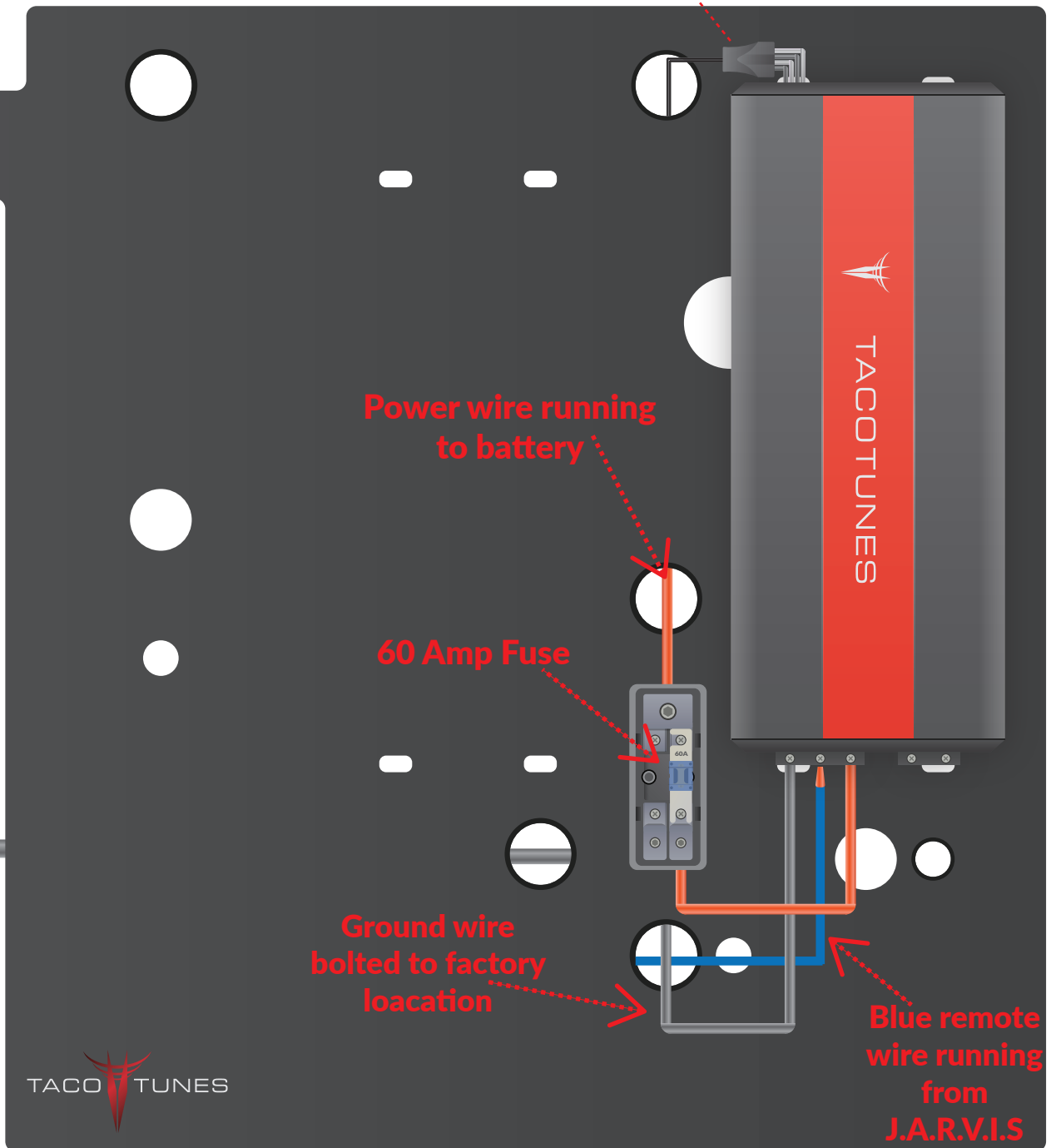
Power wire running to battery

60 Amp Fuse

Ground wire bolted to factory location

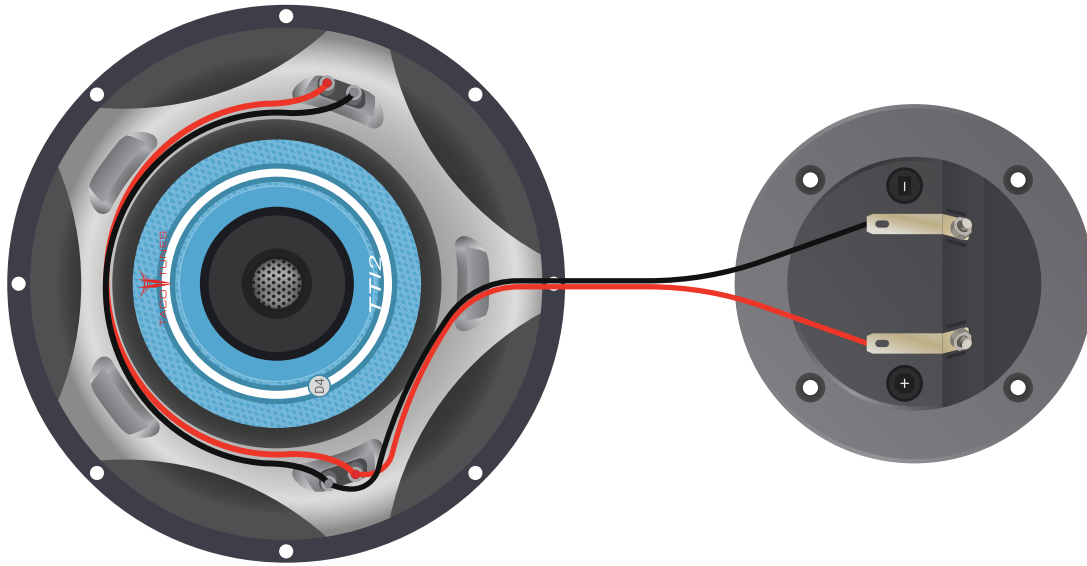
Blue remote wire running from J.A.R.V.I.S

Ground wire bolted to factory ground location



SUBWOOFER WIRING

Single Subwoofer Wiring



Dual Subwoofer Wiring

