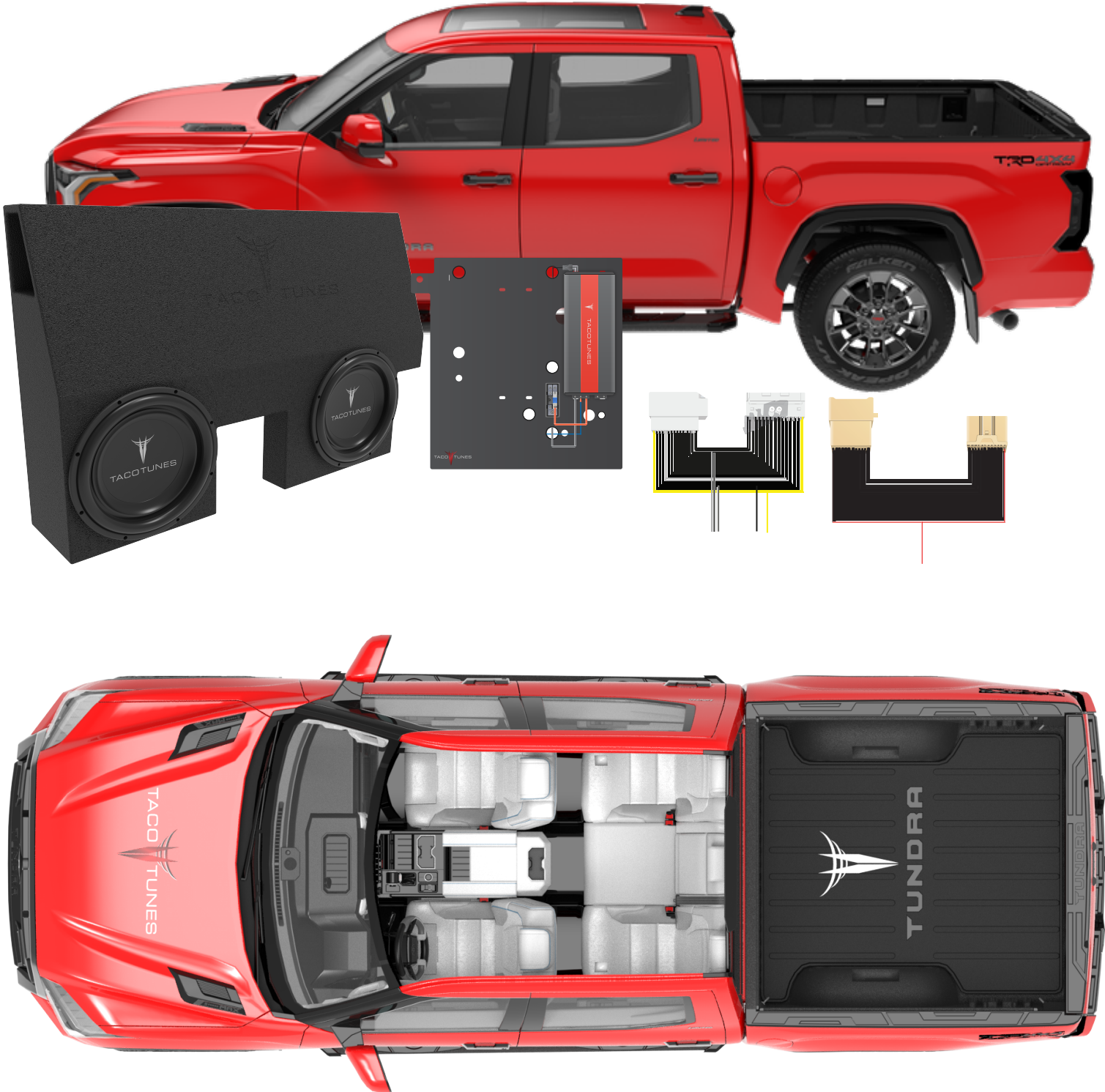


# 2022+ Toyota Tundra JBL Equipped

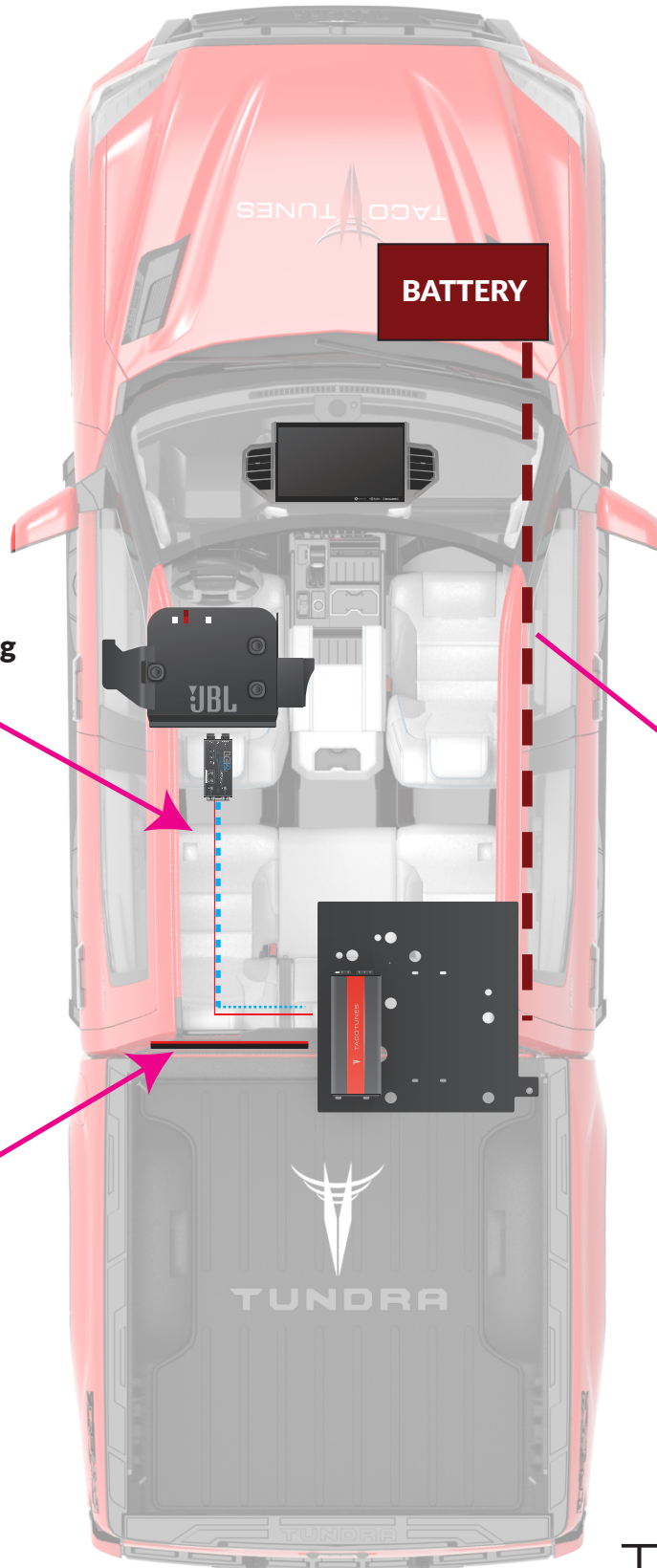
## **BUDGET FRIENDLY**

### Add a Subwoofer

# **Complete Installation Manual**



# Plug & Play Integration Overview



**BATTERY**

**Connect to Factory amp/Wiring  
and run to TXD Amps:**

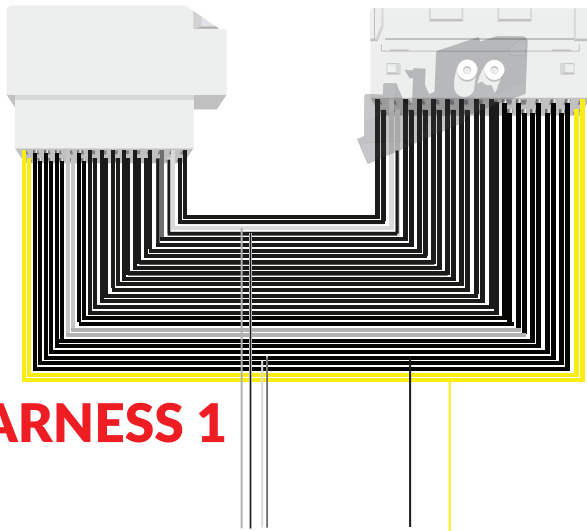
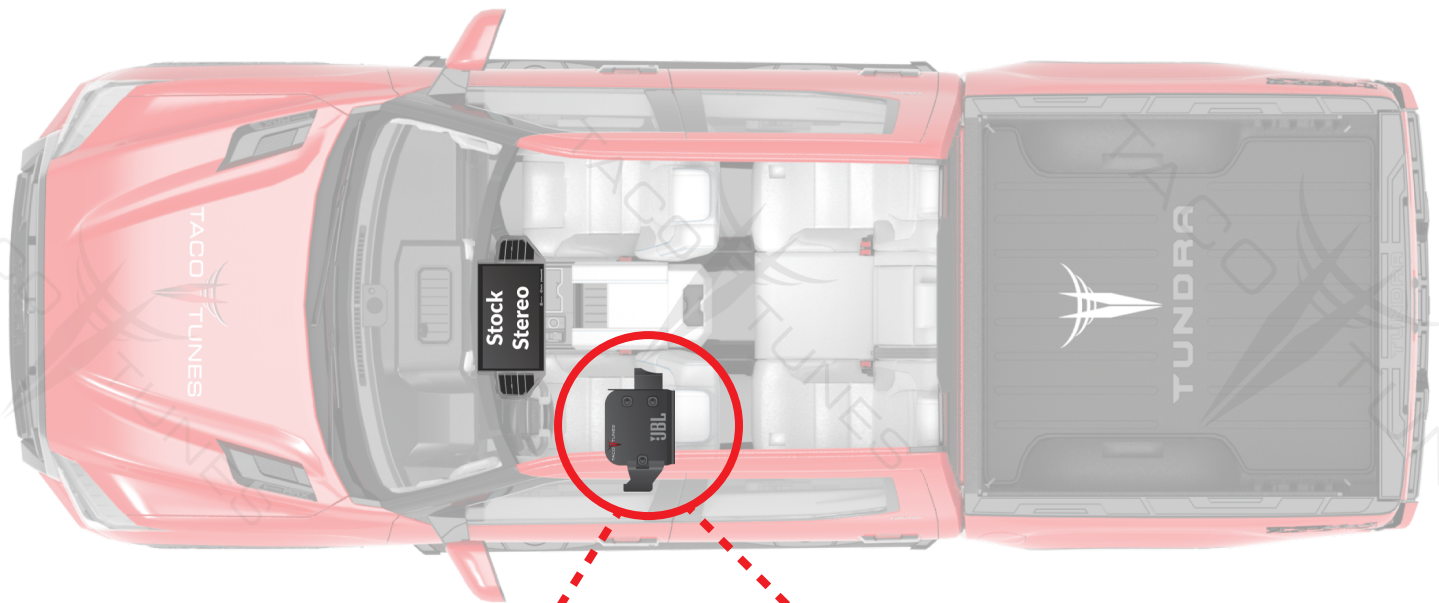
**Plug and Play harness 1 & 2  
LC2i Pro  
Blue Remote Wire  
12ft RCA Cable**

**4G POWER WIRE  
Runs from battery to  
TXD Amplifiers**

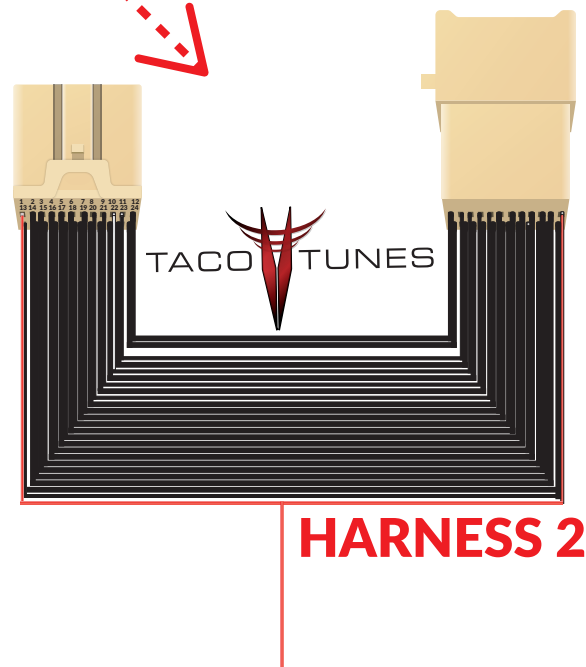
**12 Gauge Subwoofer wire  
behind the rear seat**



# Dual Harness Plug and Play Integration



**HARNESS 1**



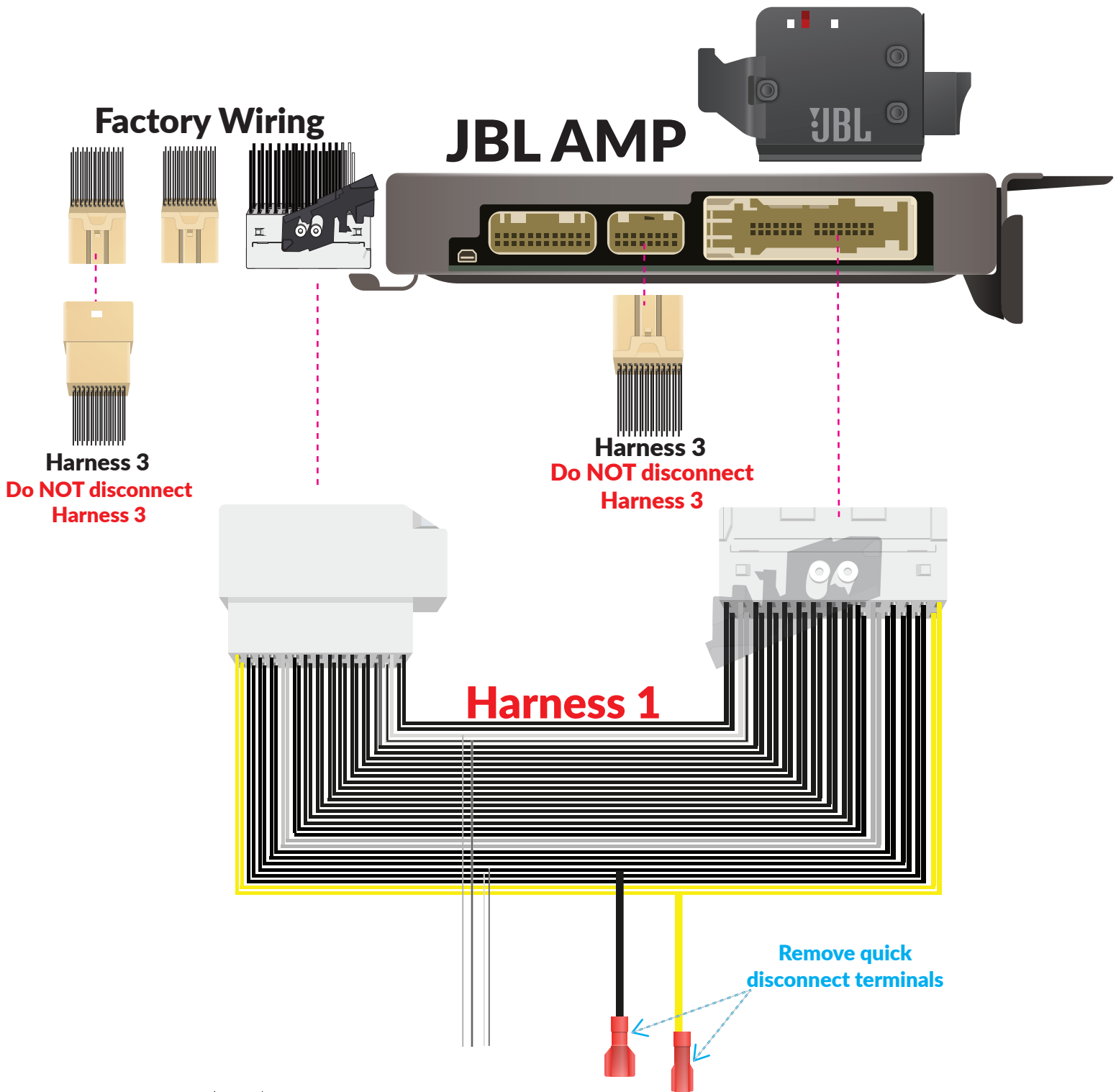
**HARNESS 2**

**Harness 1 & 2 plug directly into the factory  
JBL amplifier & the factory wiring of your  
Tundra**

**Install these harnesses according steps on the  
following page**

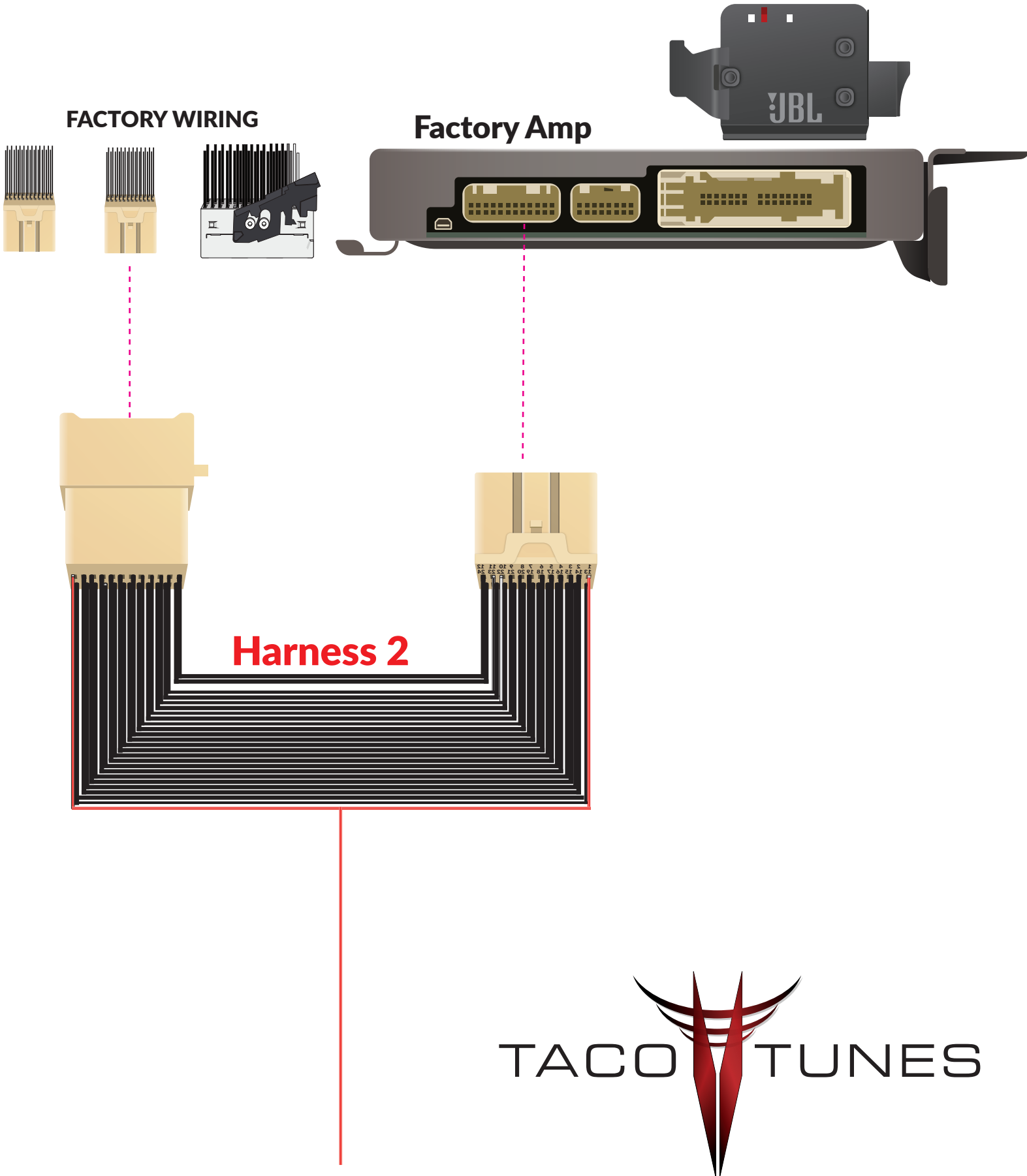
## Section 1A-

# Connect Harness 1 To Factory Amplifier & Wiring

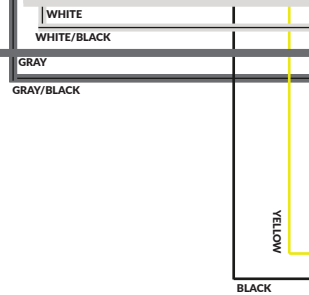
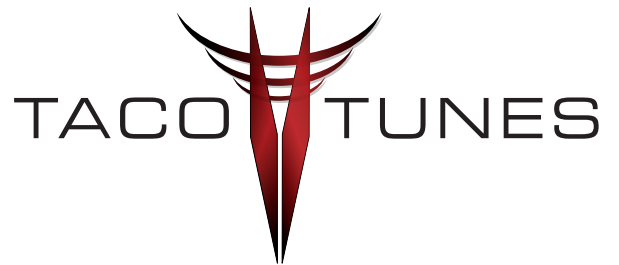
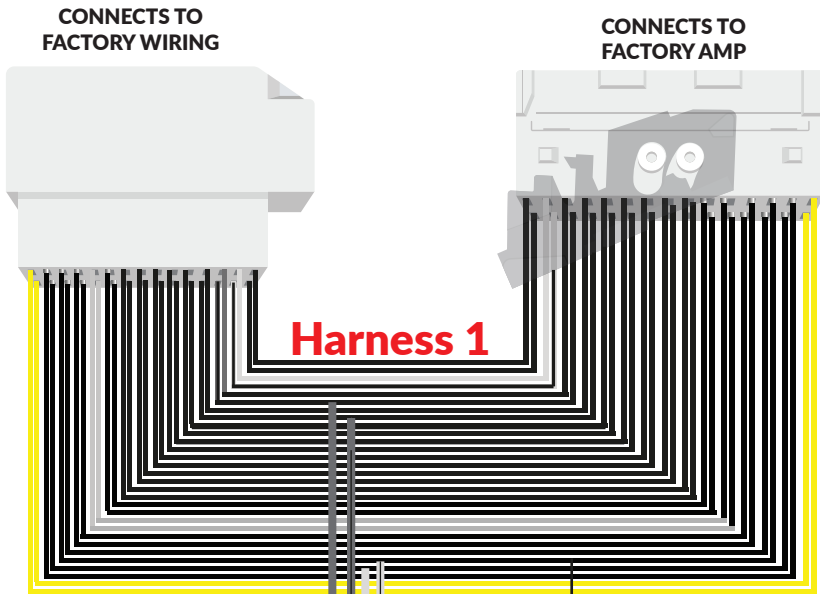


## Section 1B-

# Connect Harness 2 To Factory Amplifier & Wiring



# HARNES 1- LC2i Pro Connections



# HARNESS 2- LC2i Pro Connections

Connects to factory  
wiring

Connects to factory  
amp

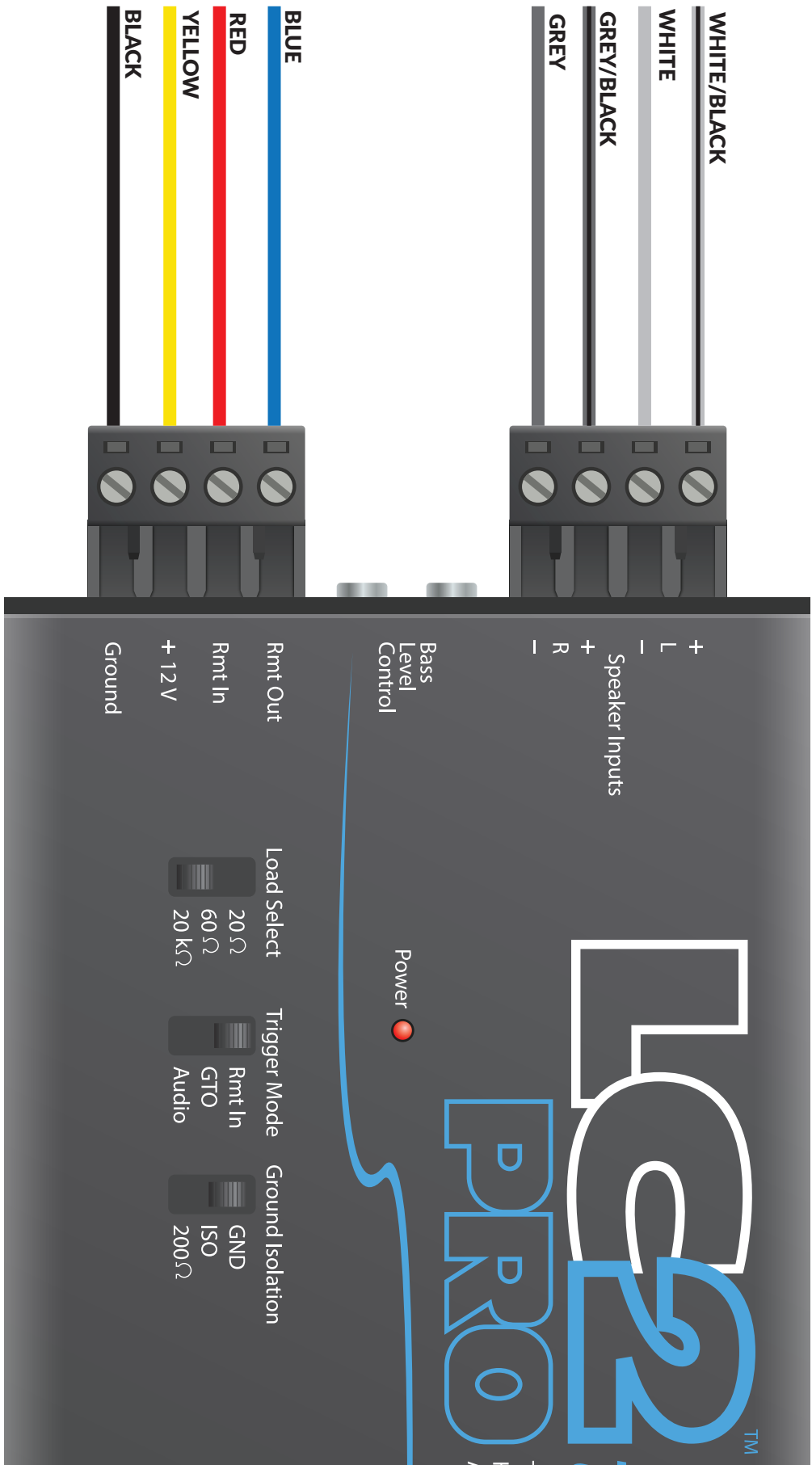
**HARNESS 2**



**Blue remote wire  
(Included in kit)  
Connects to Amplifier**

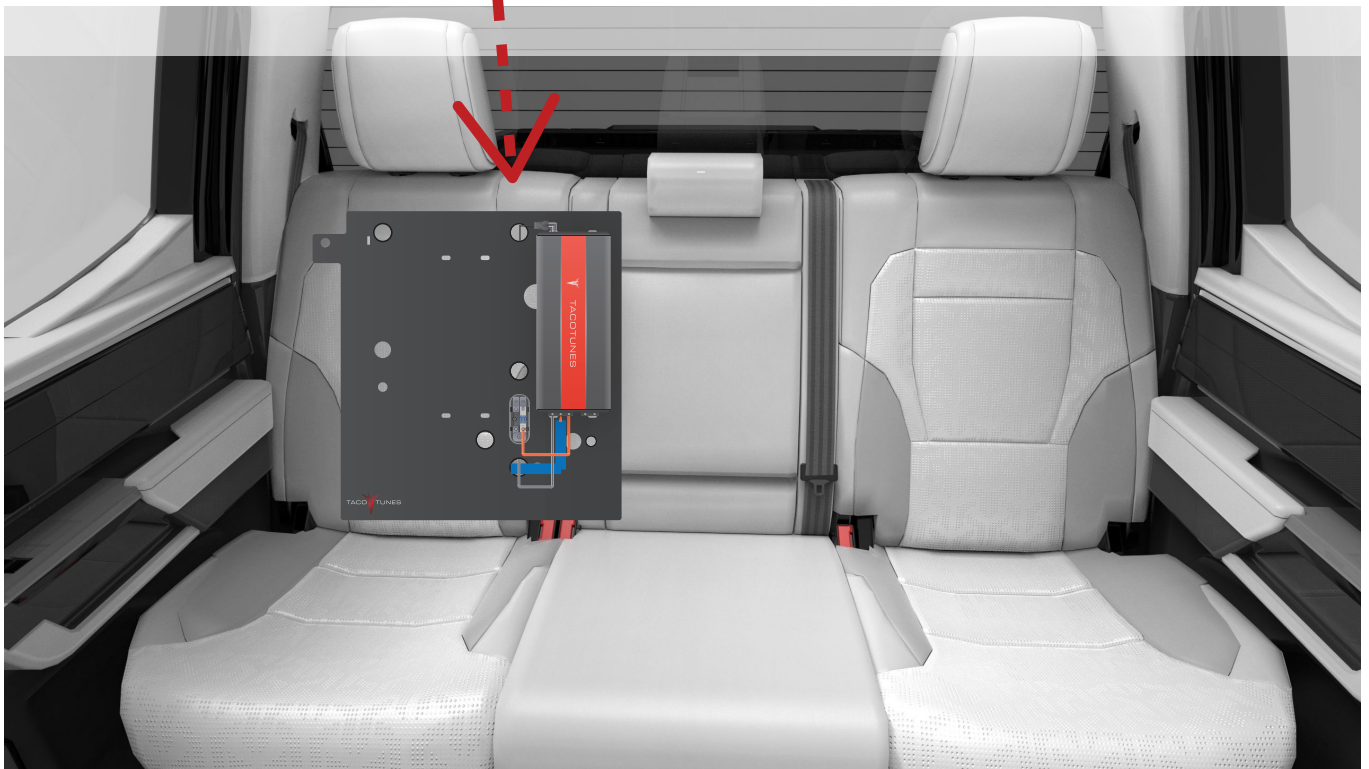
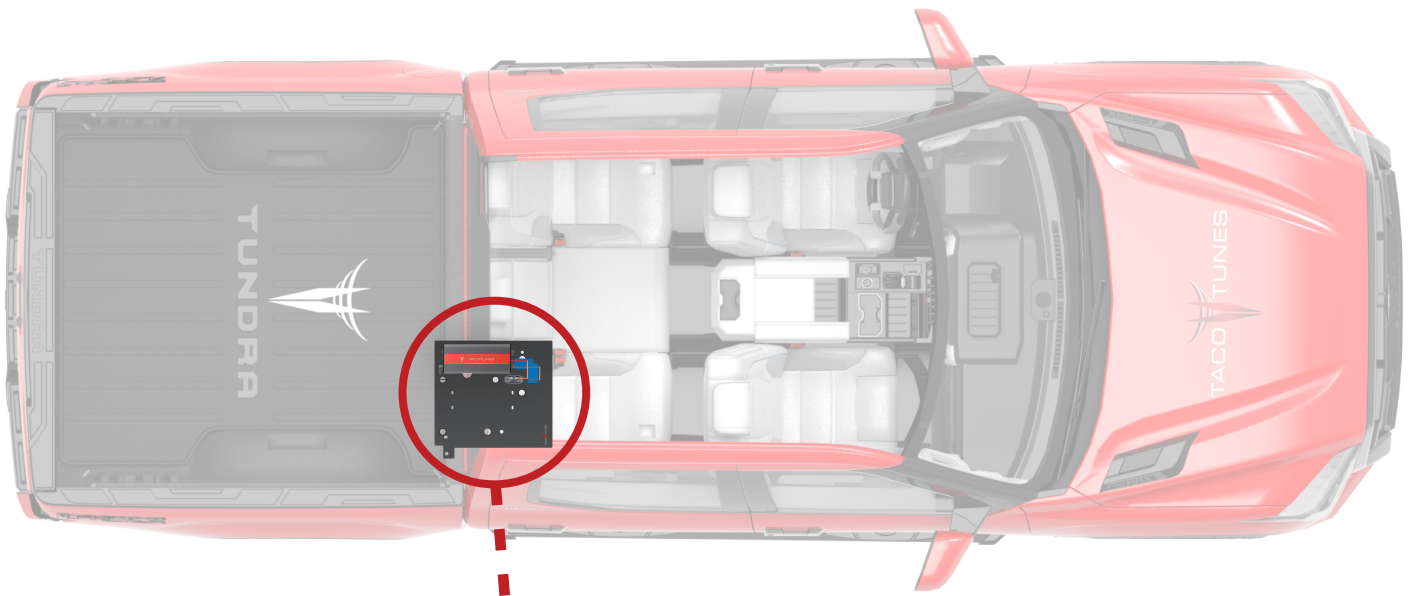


# LC2i Pro Connections





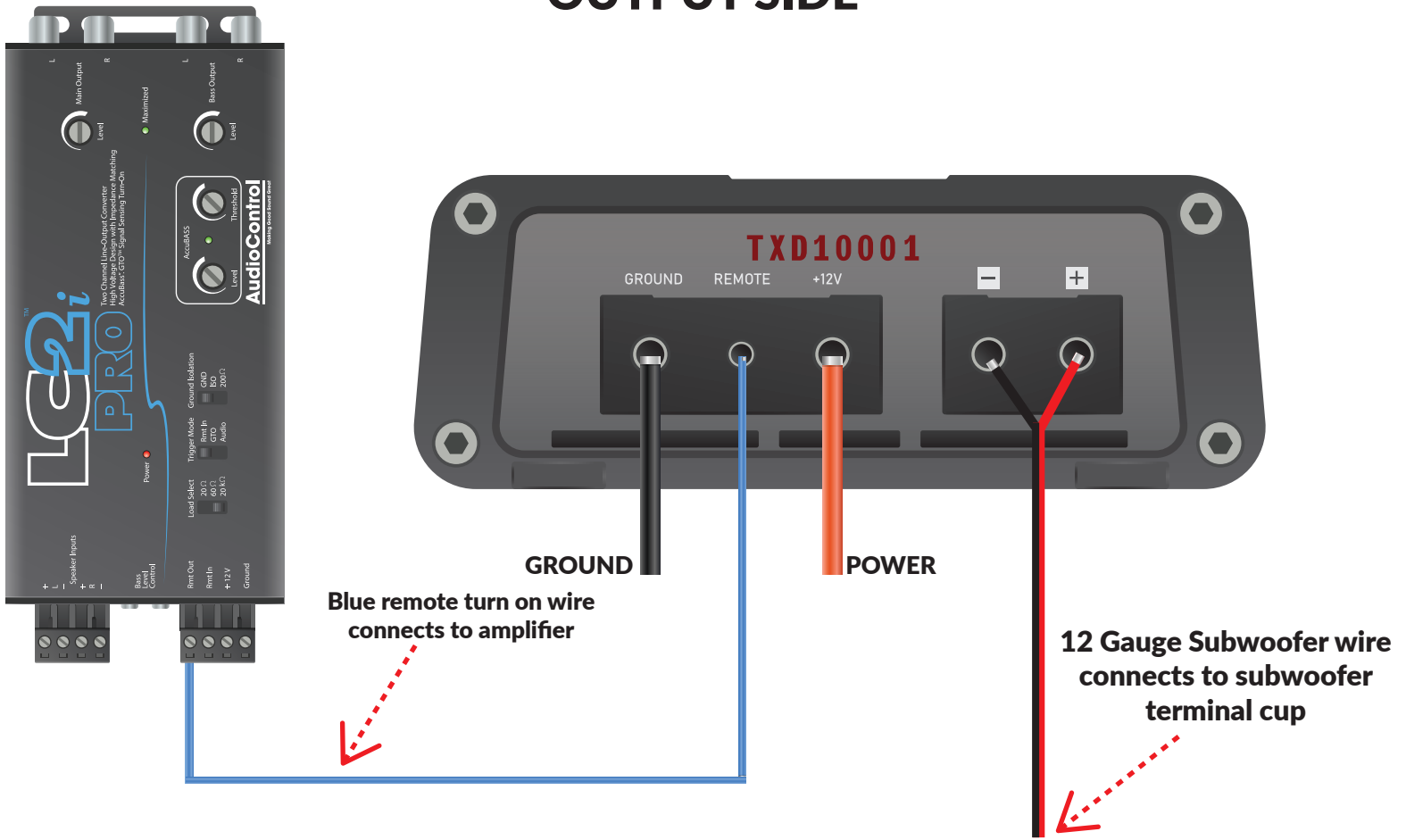
# Amplifier Connections



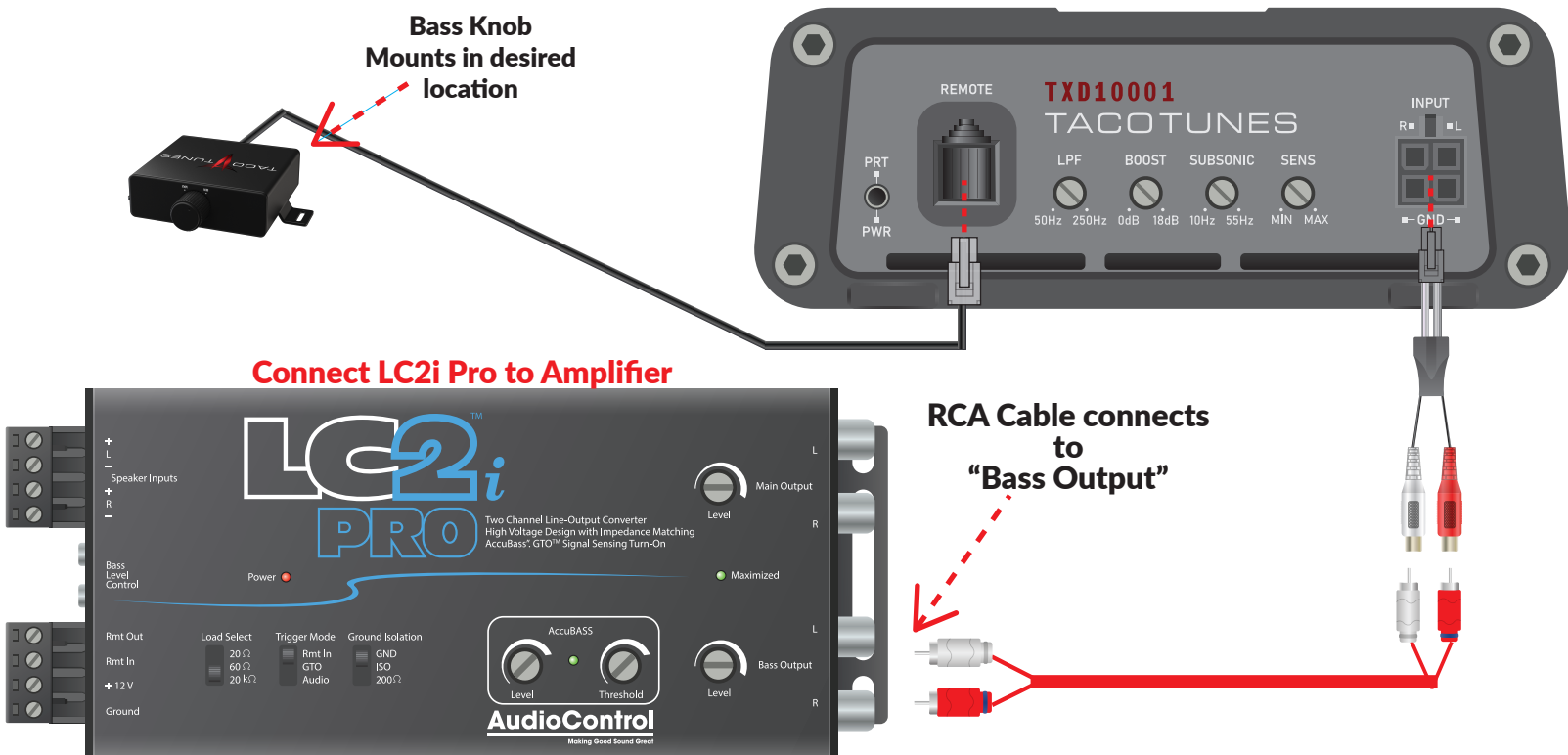
**Make your amplifier connections according steps on the following pages**

# AMPLIFIER CONNECTIONS

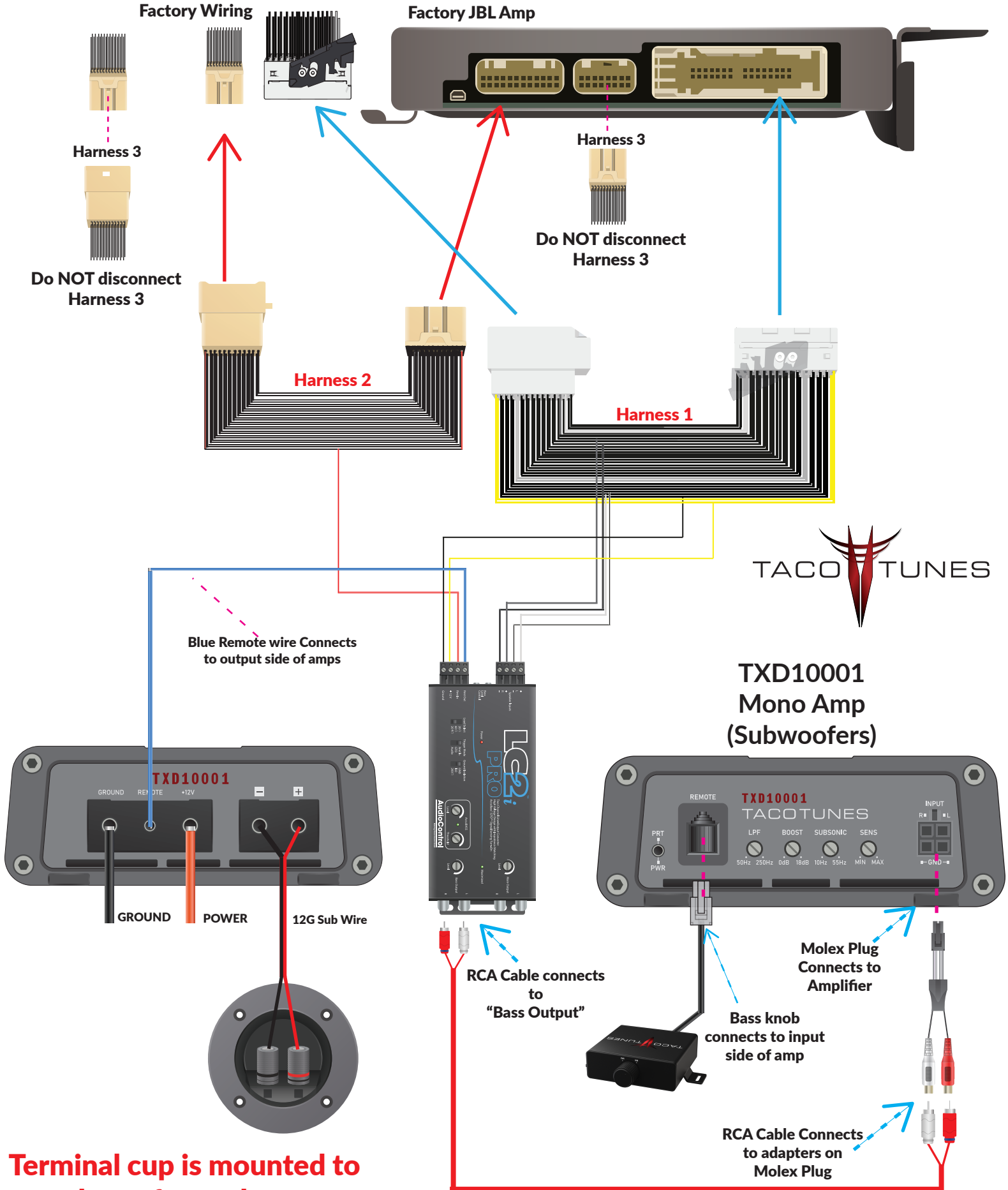
## OUTPUT SIDE



## INPUT SIDE

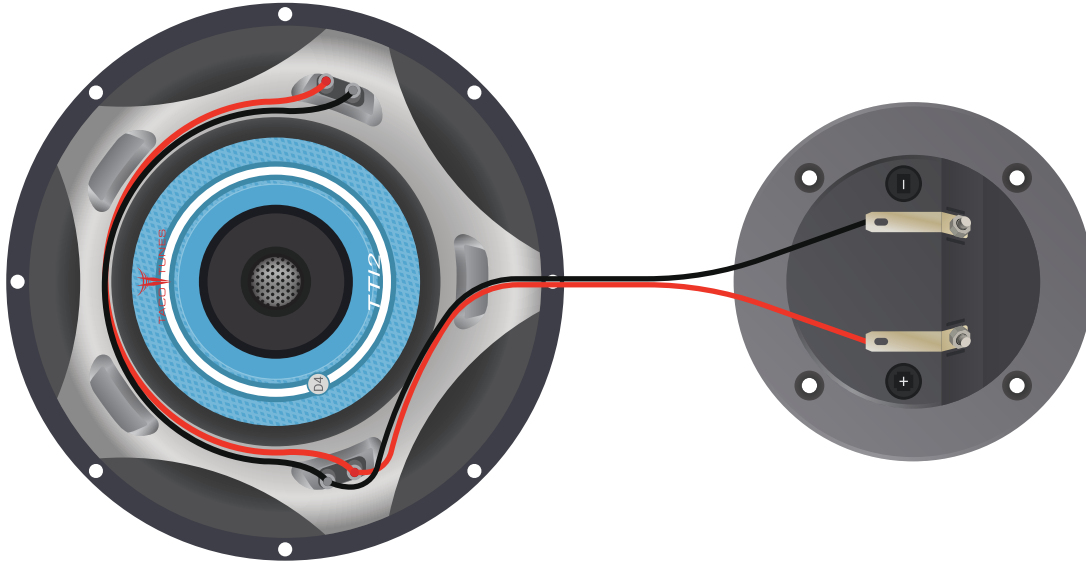


# 2022+ Toyota Tundra JBL Budget Friendly Add a Subwoofer Connections Overview



# SUBWOOFER WIRING

## Single Subwoofer Wiring



## Dual Subwoofer Wiring

