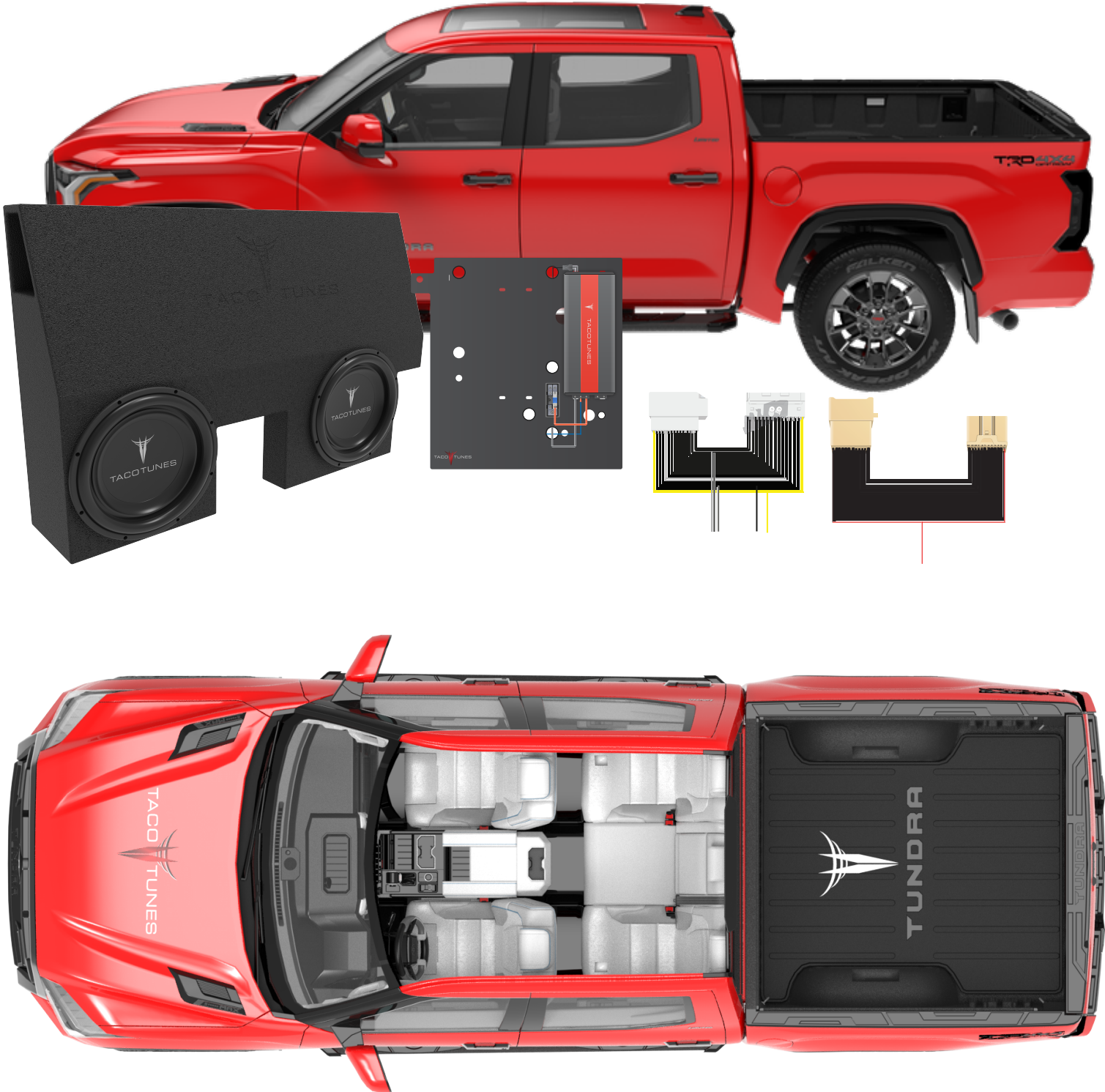


2022+ Toyota Tundra JBL Equipped

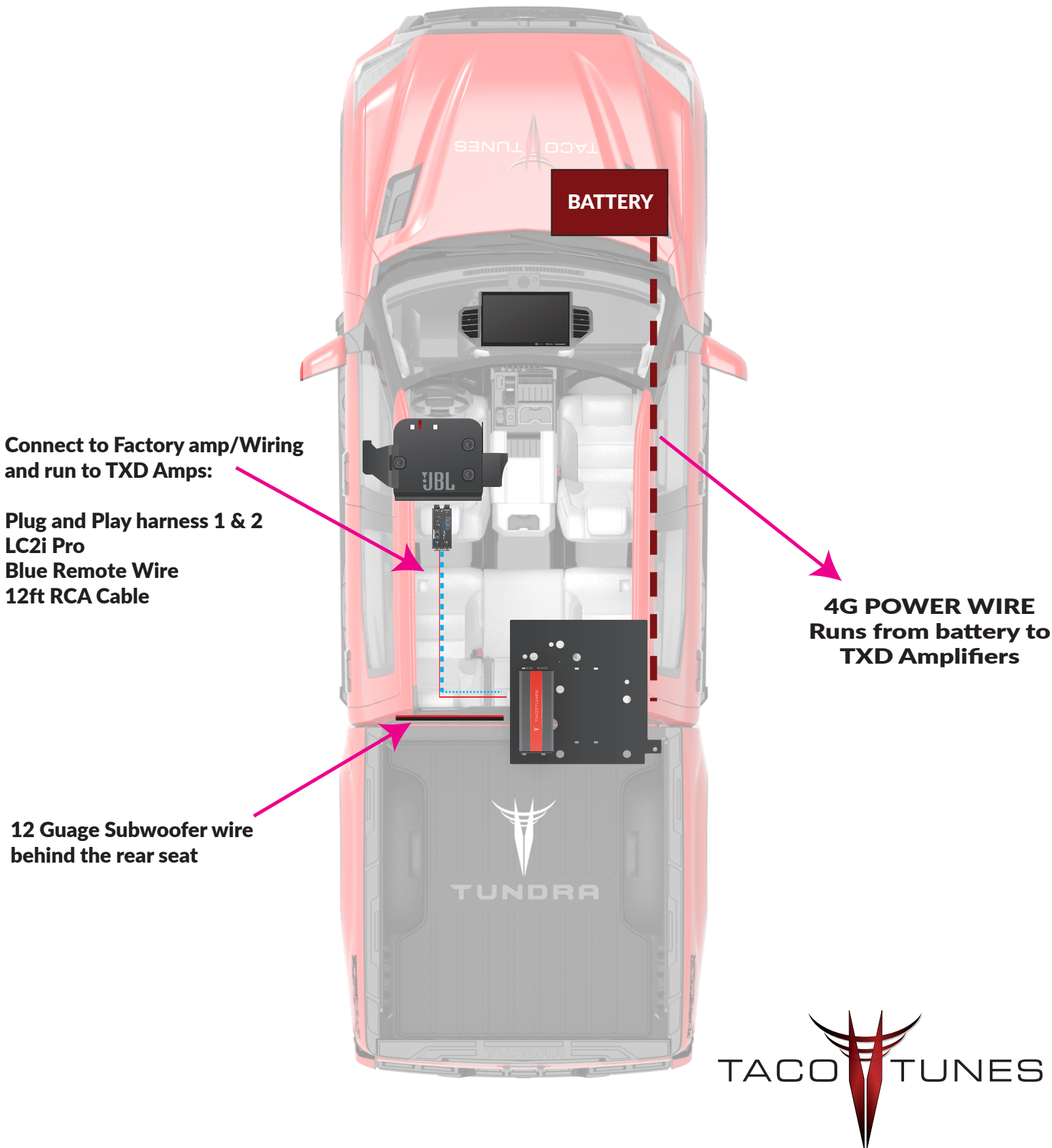
BUDGET FRIENDLY

Add a Subwoofer

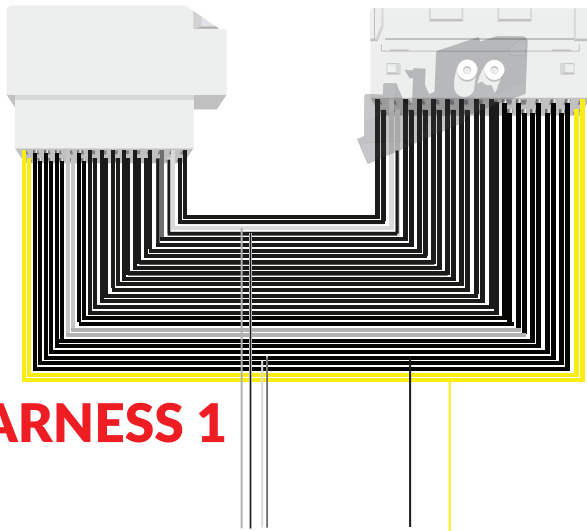
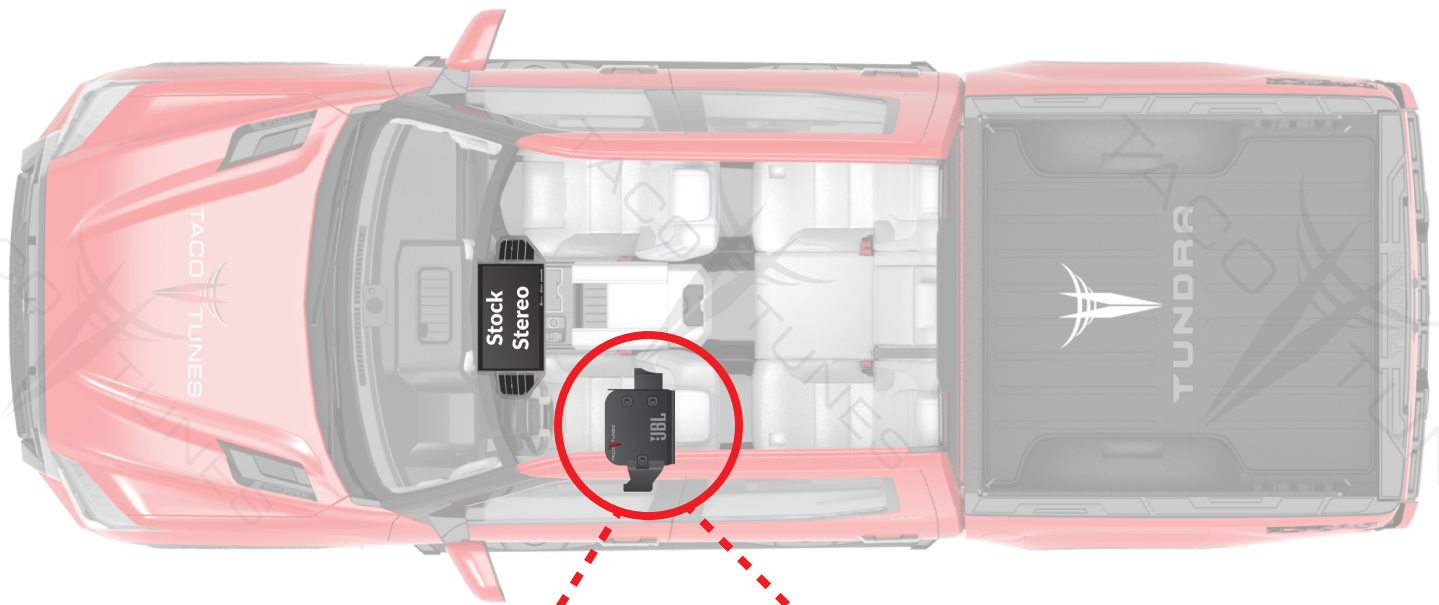
Complete Installation Manual



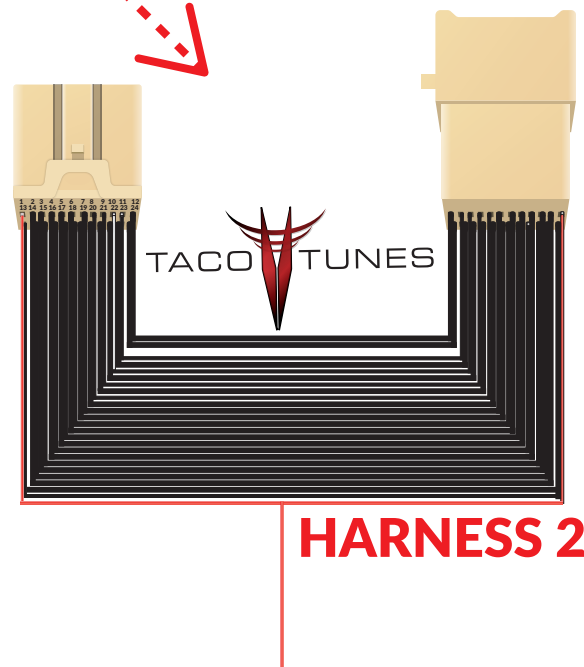
Plug & Play Integration Overview



Dual Harness Plug and Play Integration



HARNESS 1

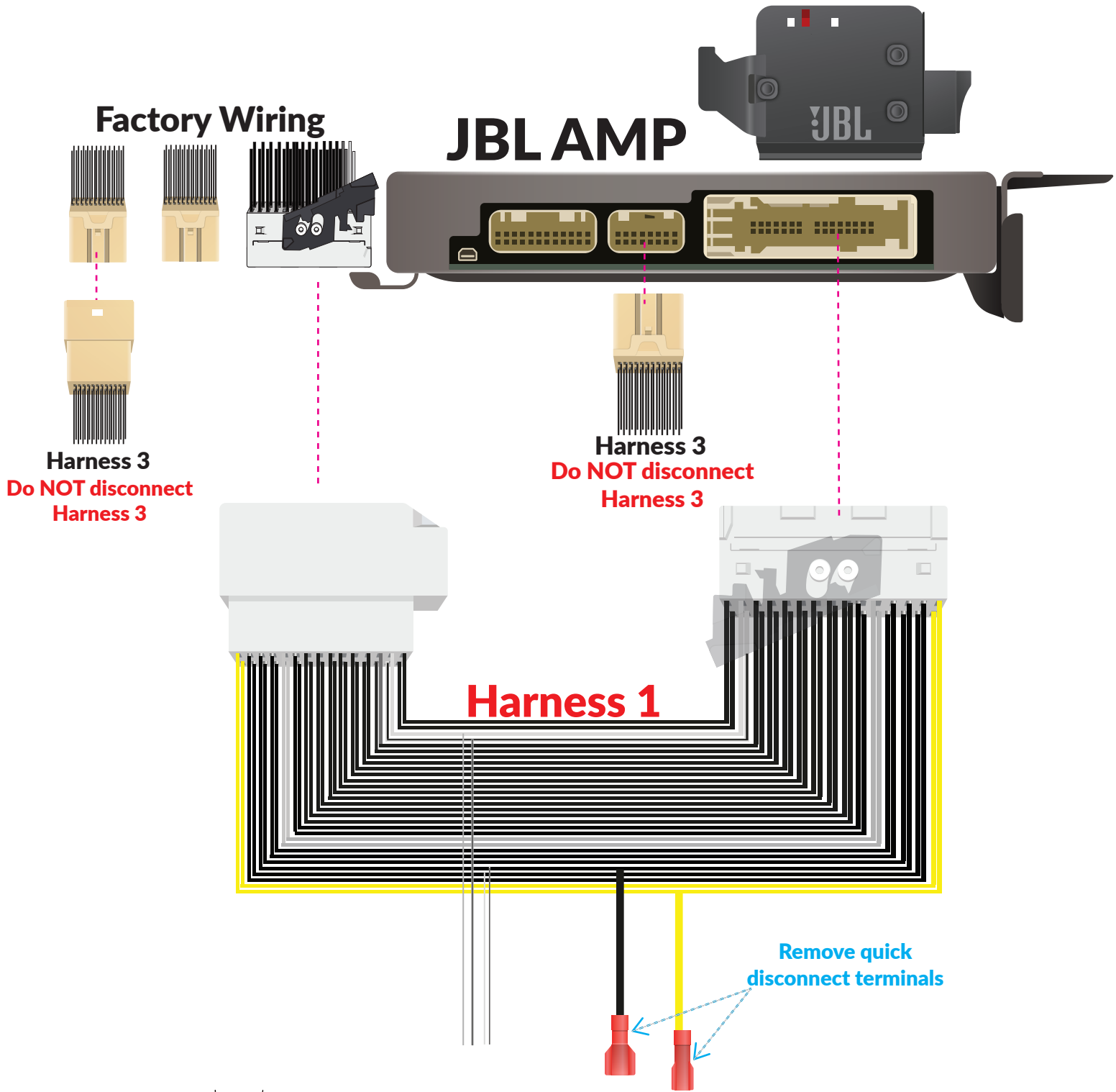


HARNESS 2

**Harness 1 & 2 plug directly into the factory
JBL amplifier & the factory wiring of your
Tundra**

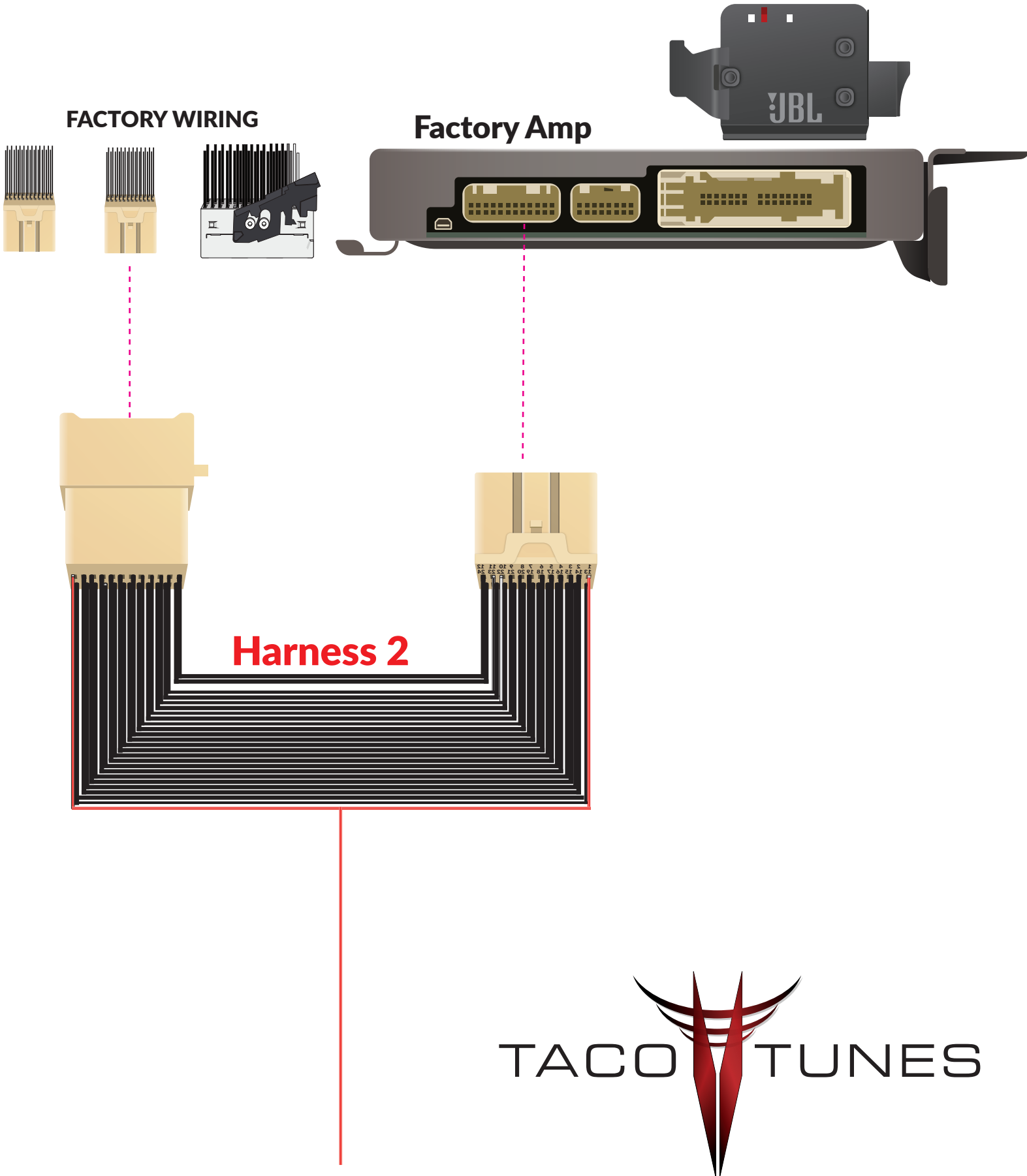
**Install these harnesses according steps on the
following page**

Section 1A- Connect Harness 1 To Factory Amplifier & Wiring

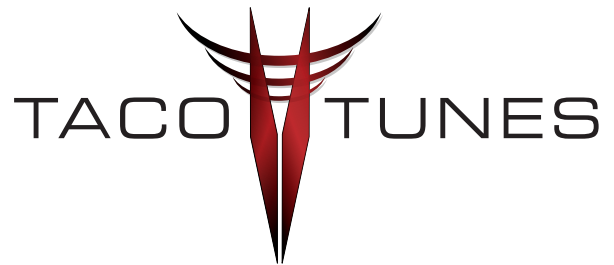
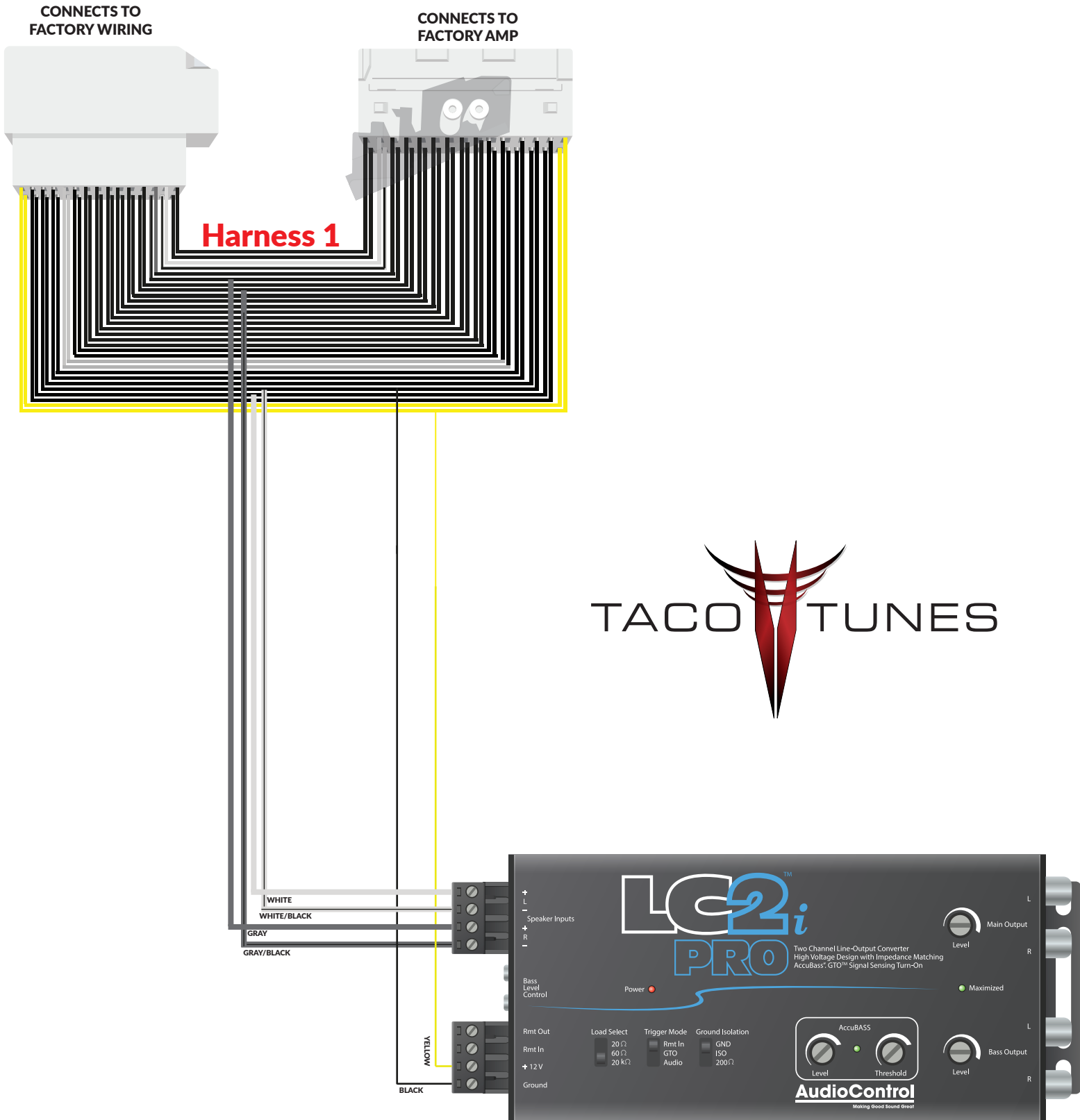


Section 1B-

Connect Harness 2 To Factory Amplifier & Wiring



HARNES 1- LC2i Pro Connections



HARNESS 2- LC2i Pro Connections

Connects to factory
wiring

Connects to factory
amp

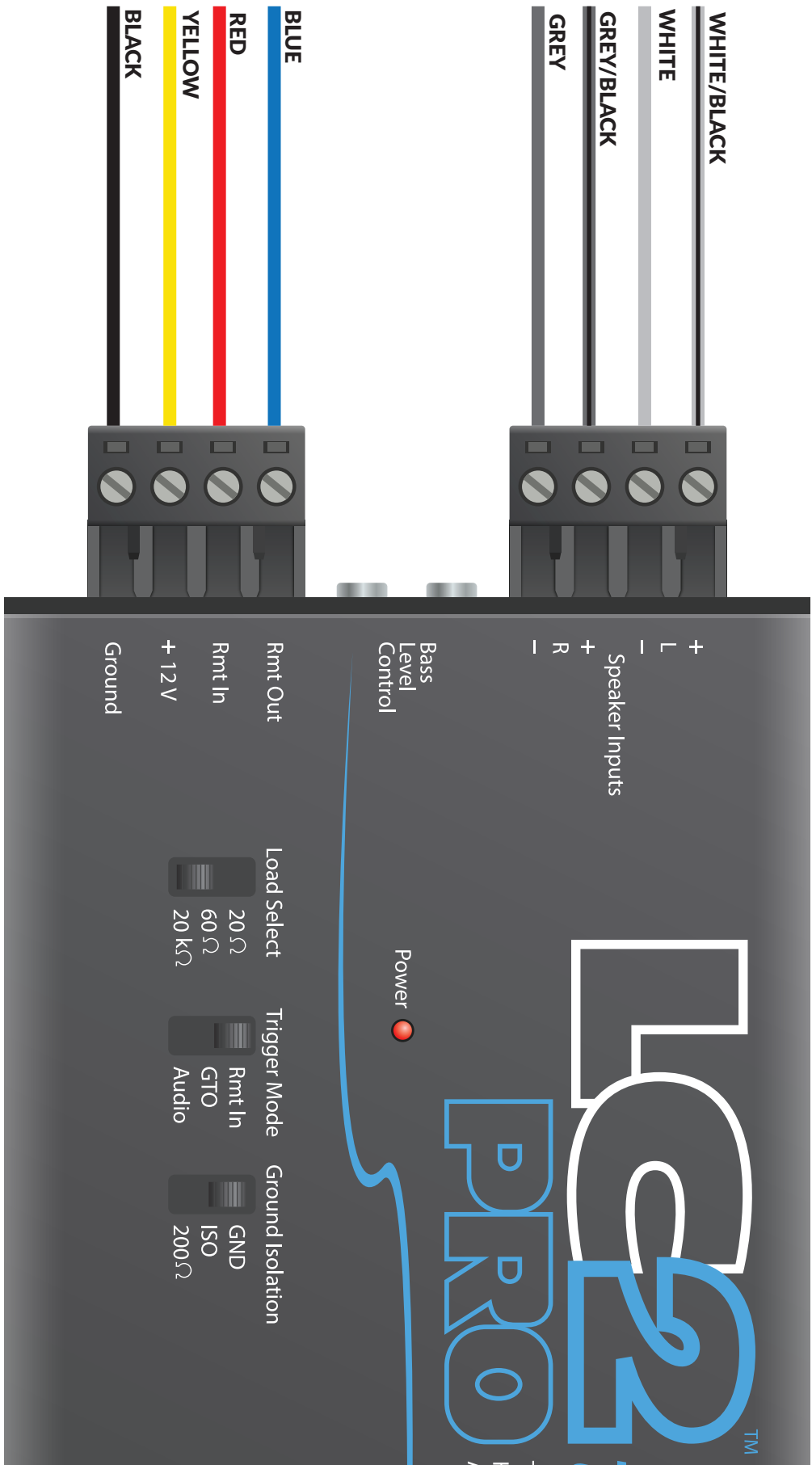
HARNESS 2



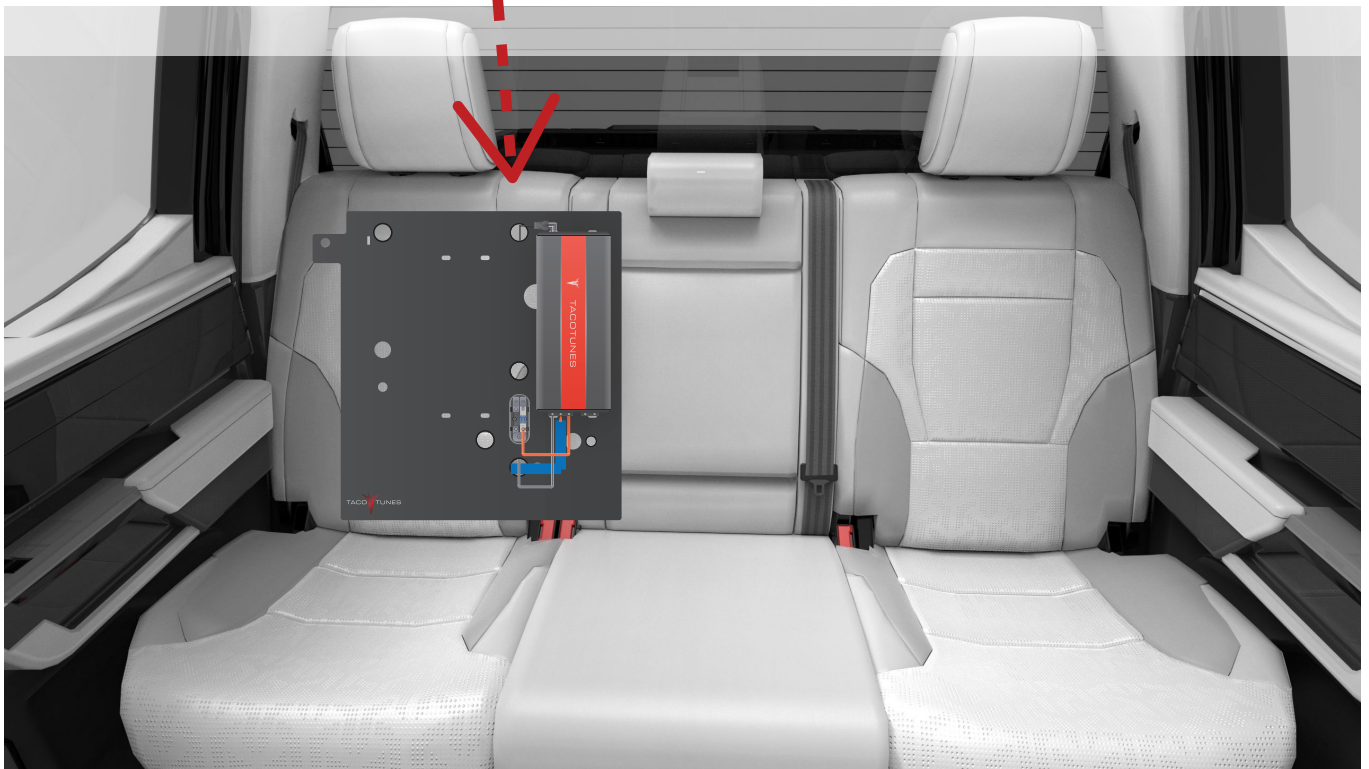
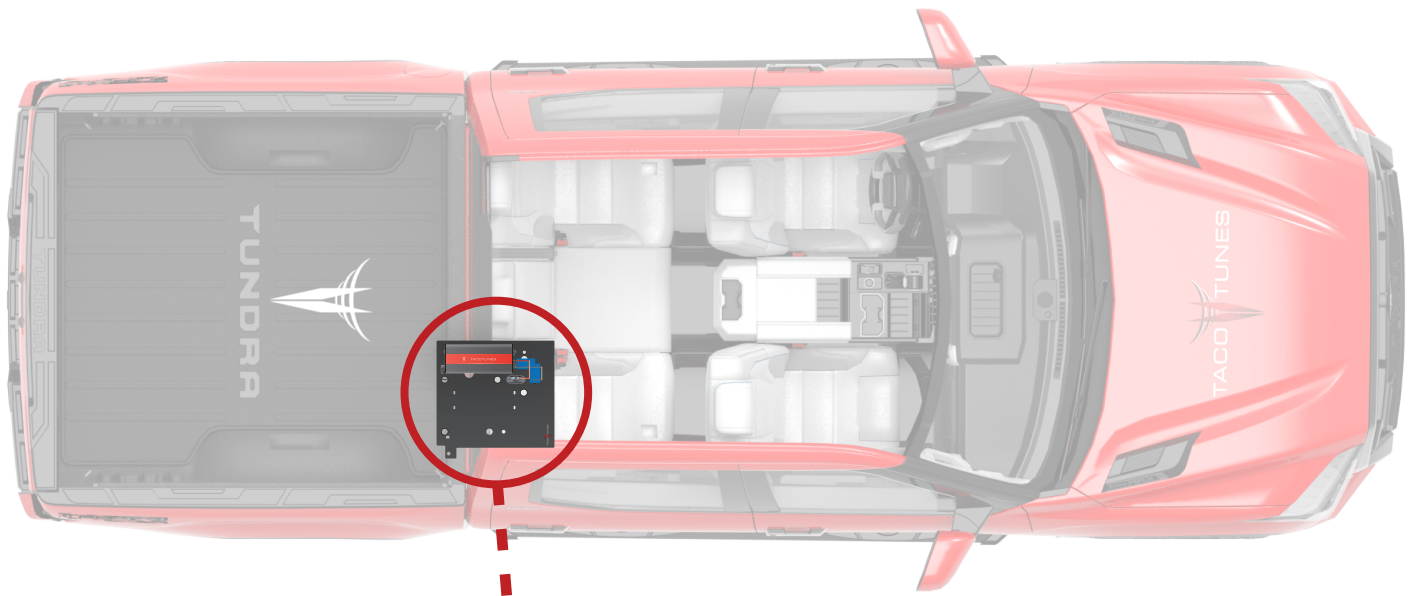
**Blue remote wire
(Included in kit)
Connects to Amplifier**



LC2i Pro Connections



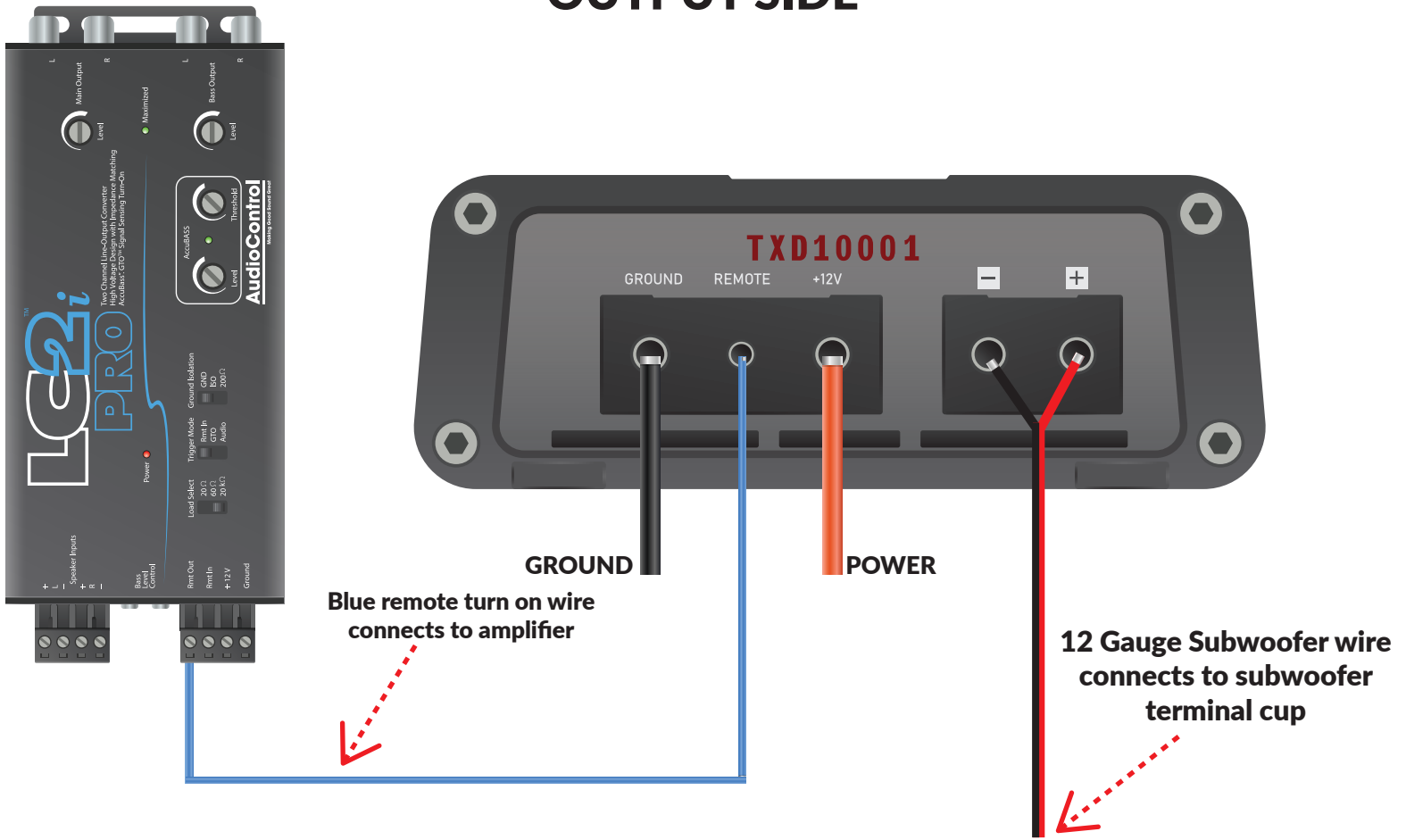
Amplifier Connections



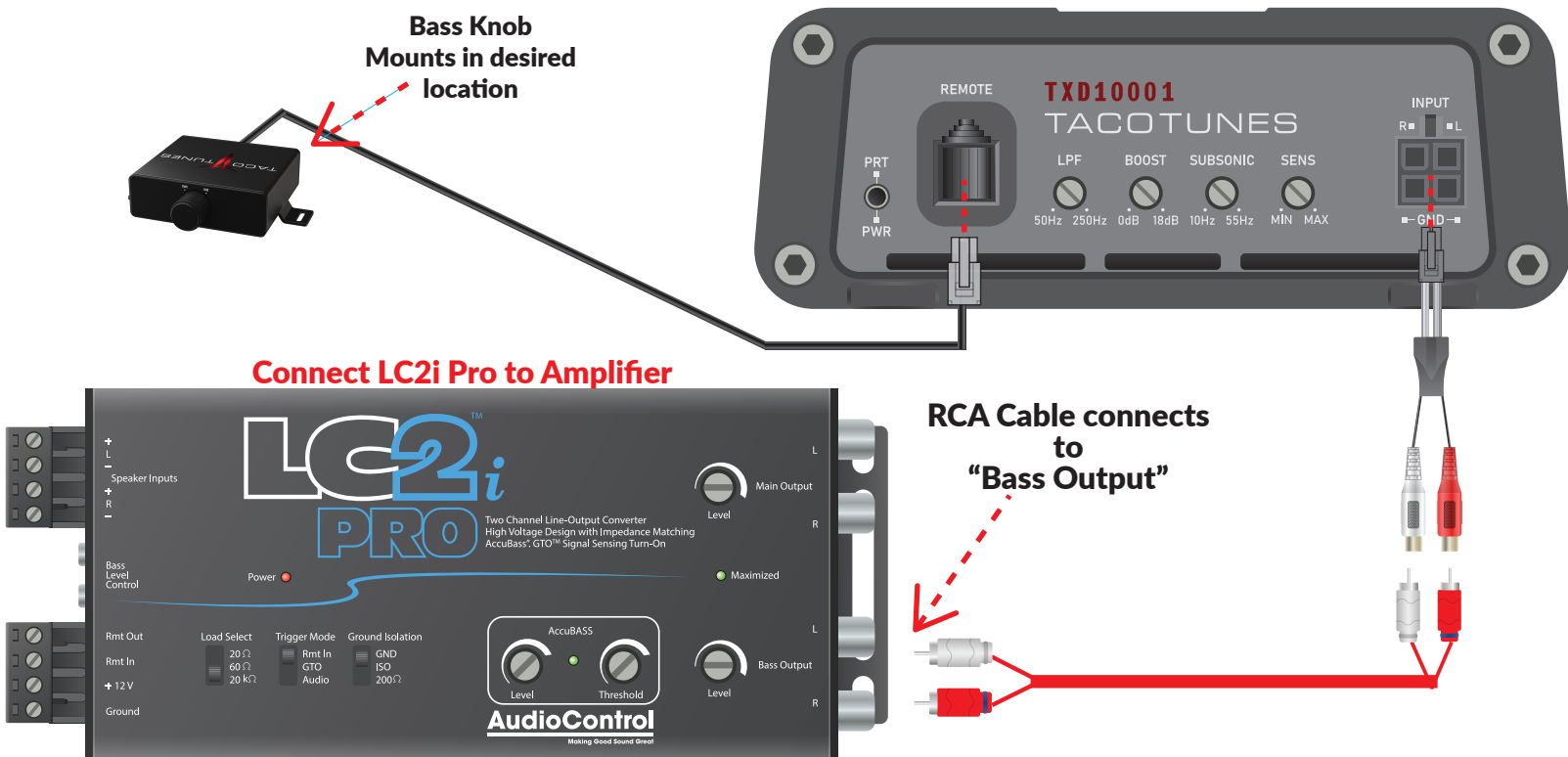
Make your amplifier connections according steps on the following pages

AMPLIFIER CONNECTIONS

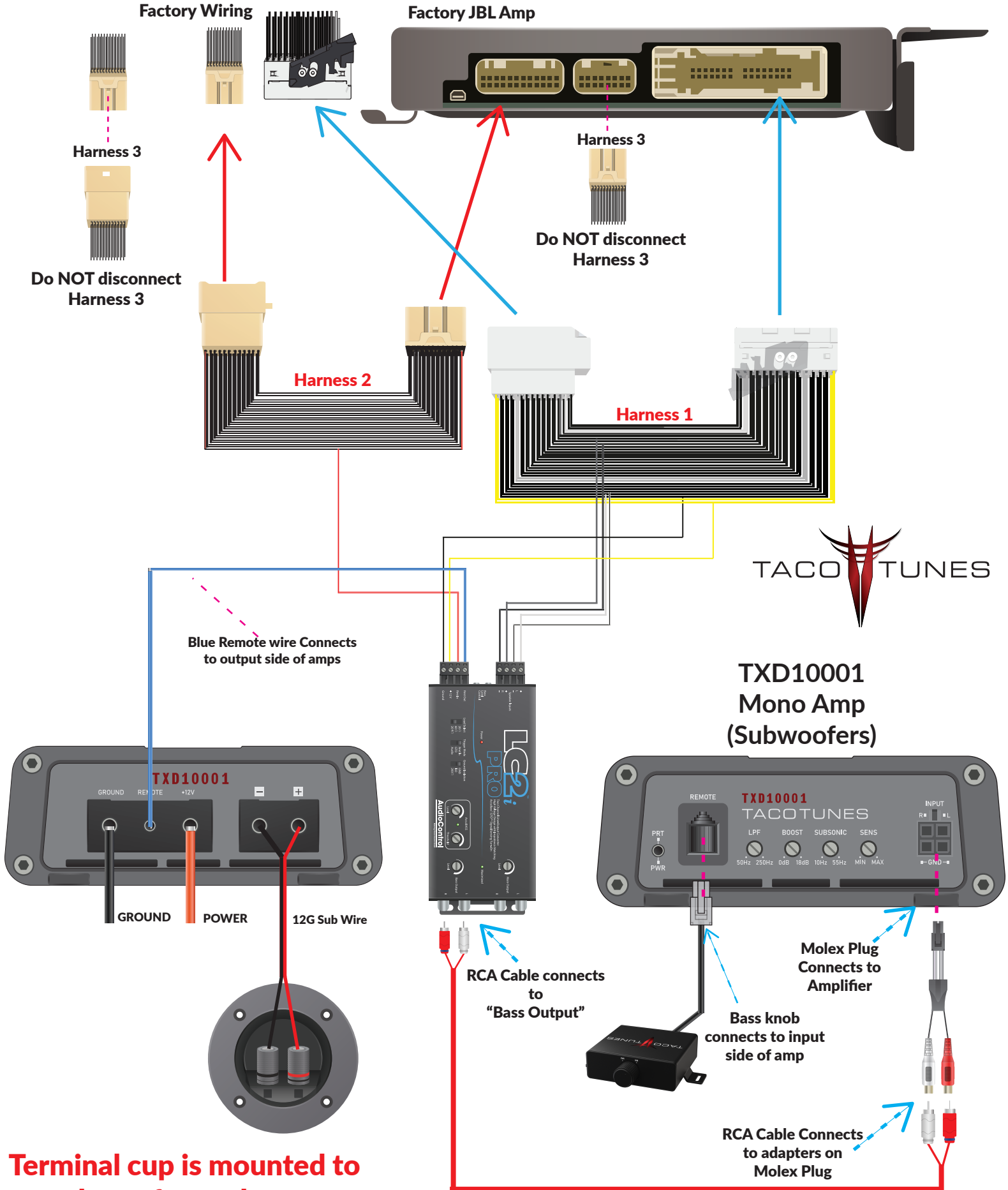
OUTPUT SIDE



INPUT SIDE

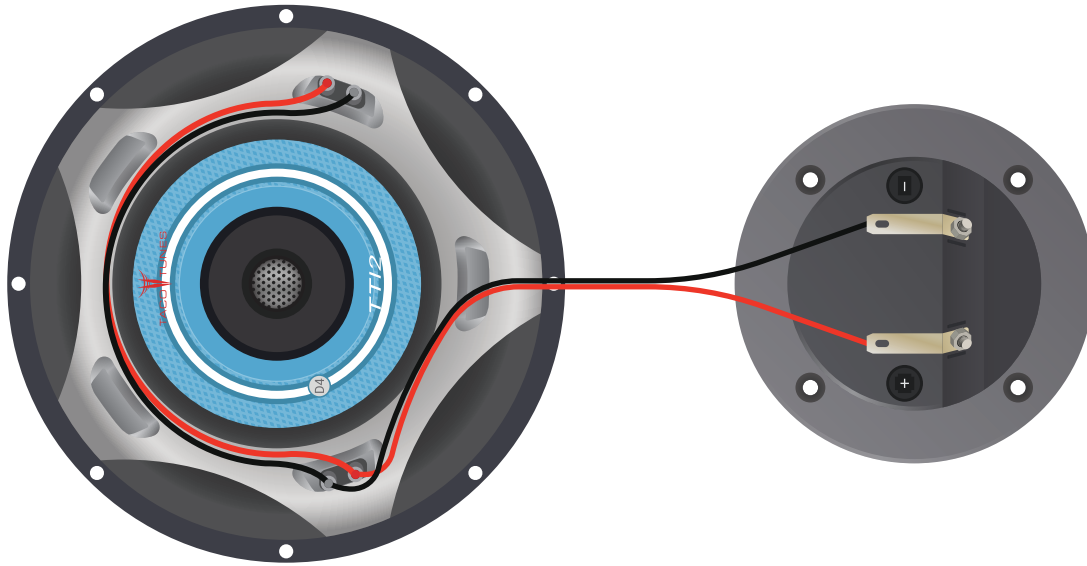


2022+ Toyota Tundra JBL Budget Friendly Add a Subwoofer Connections Overview



SUBWOOFER WIRING

Single Subwoofer Wiring



Dual Subwoofer Wiring

