

2014-2021

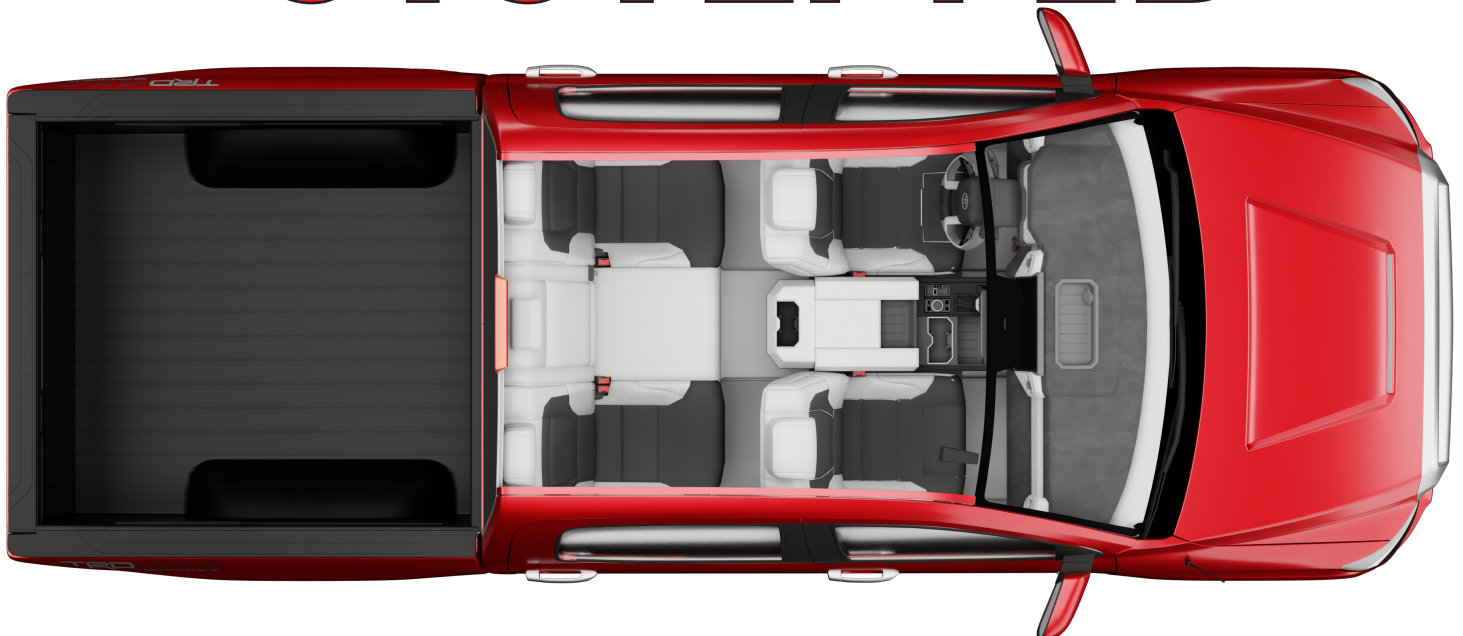
**JBL EQUIPPED**

# Toyota Tundra Audio Upgrade

# Complete Installation Manual

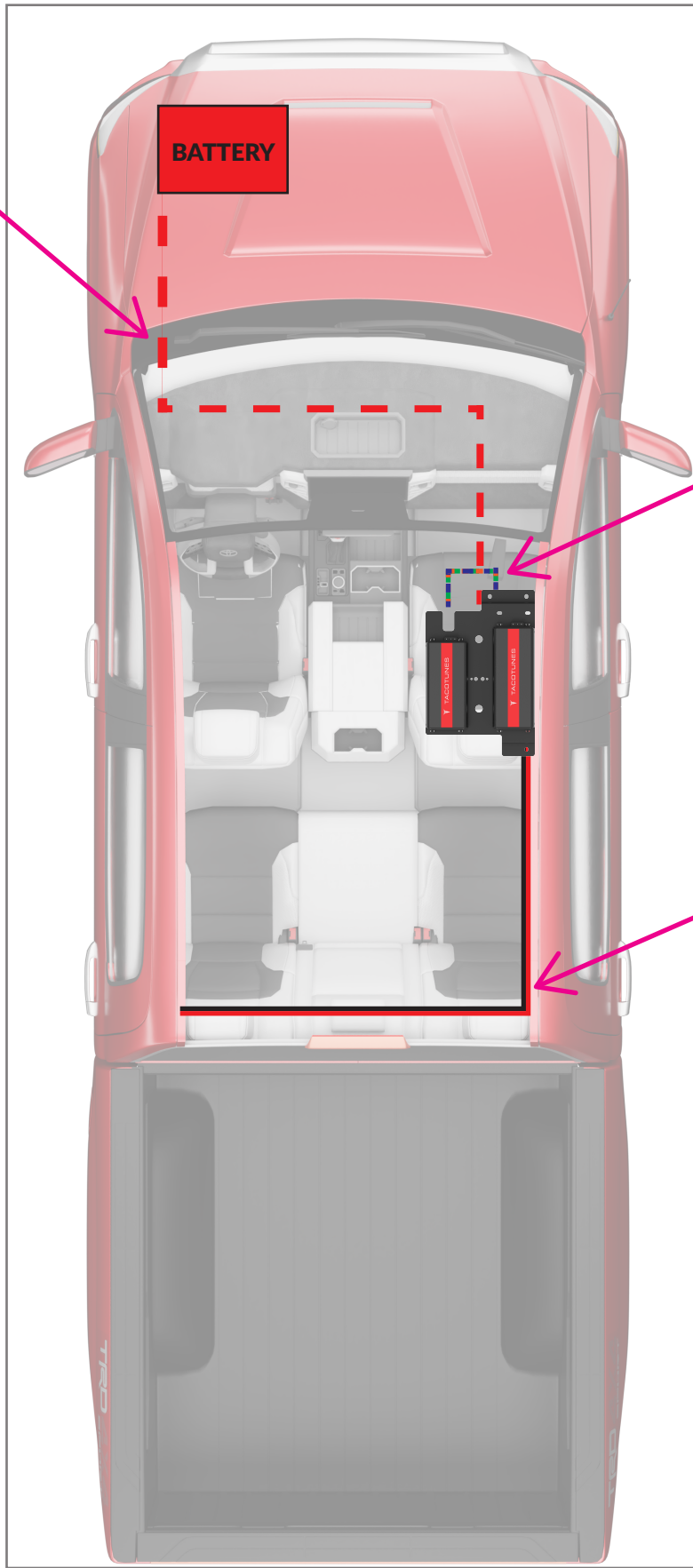


# SYSTEM 1B



# PLUG & PLAY INTEGRATION OVERVIEW

**4G Power Wire**  
runs from  
battery to TXD  
Amplifiers



**Connect to factory**  
wiring under seat, &  
to TXD Amplifiers:

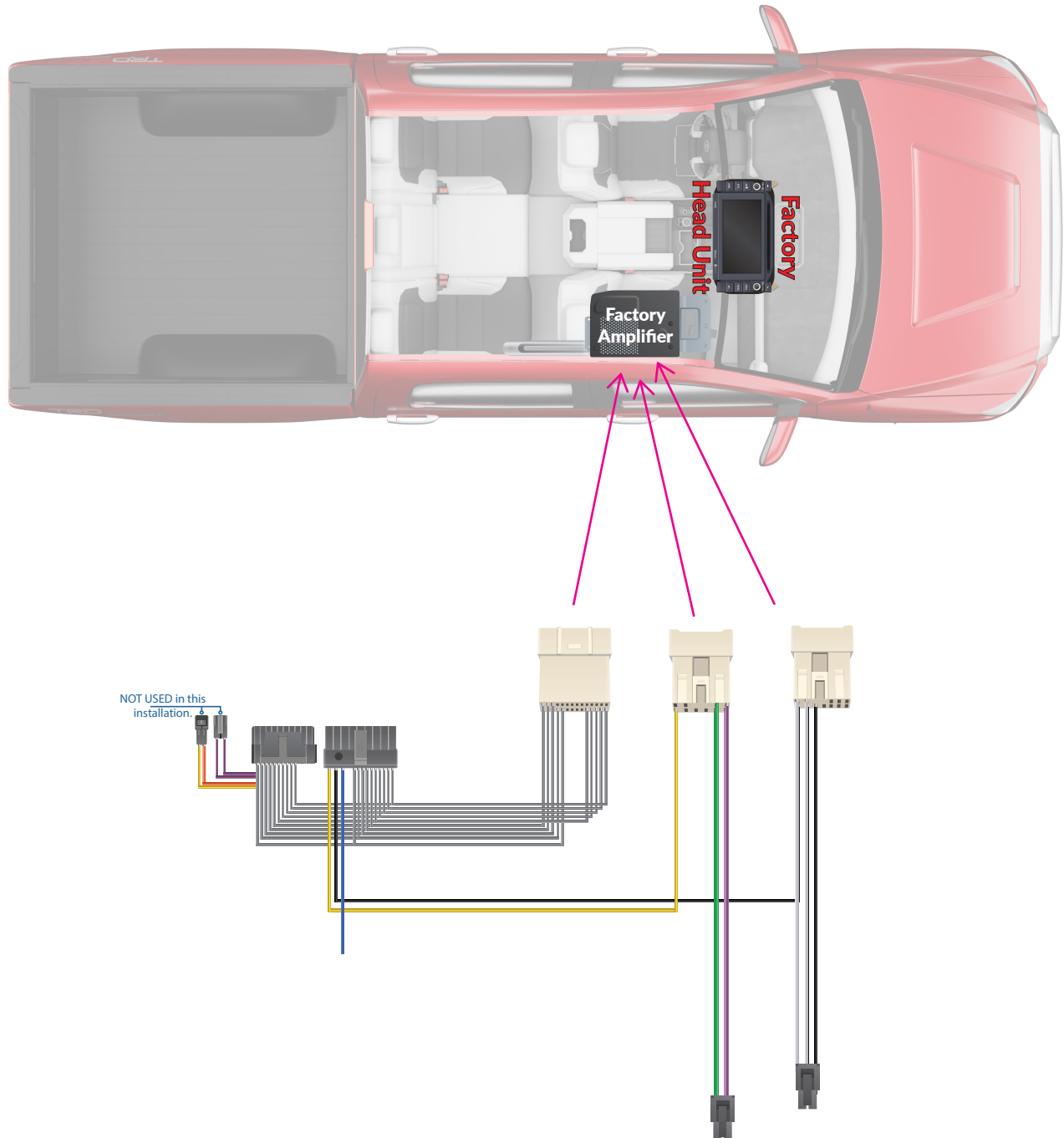
**Plug & play harness**  
Integration Module

**12 Gauge**  
subwoofer wire ran  
from TXD1000.1 to  
behind rear seat

## SECTION 1 -

# Plug and Play Harness Integration

## Factory Amp Under Seat

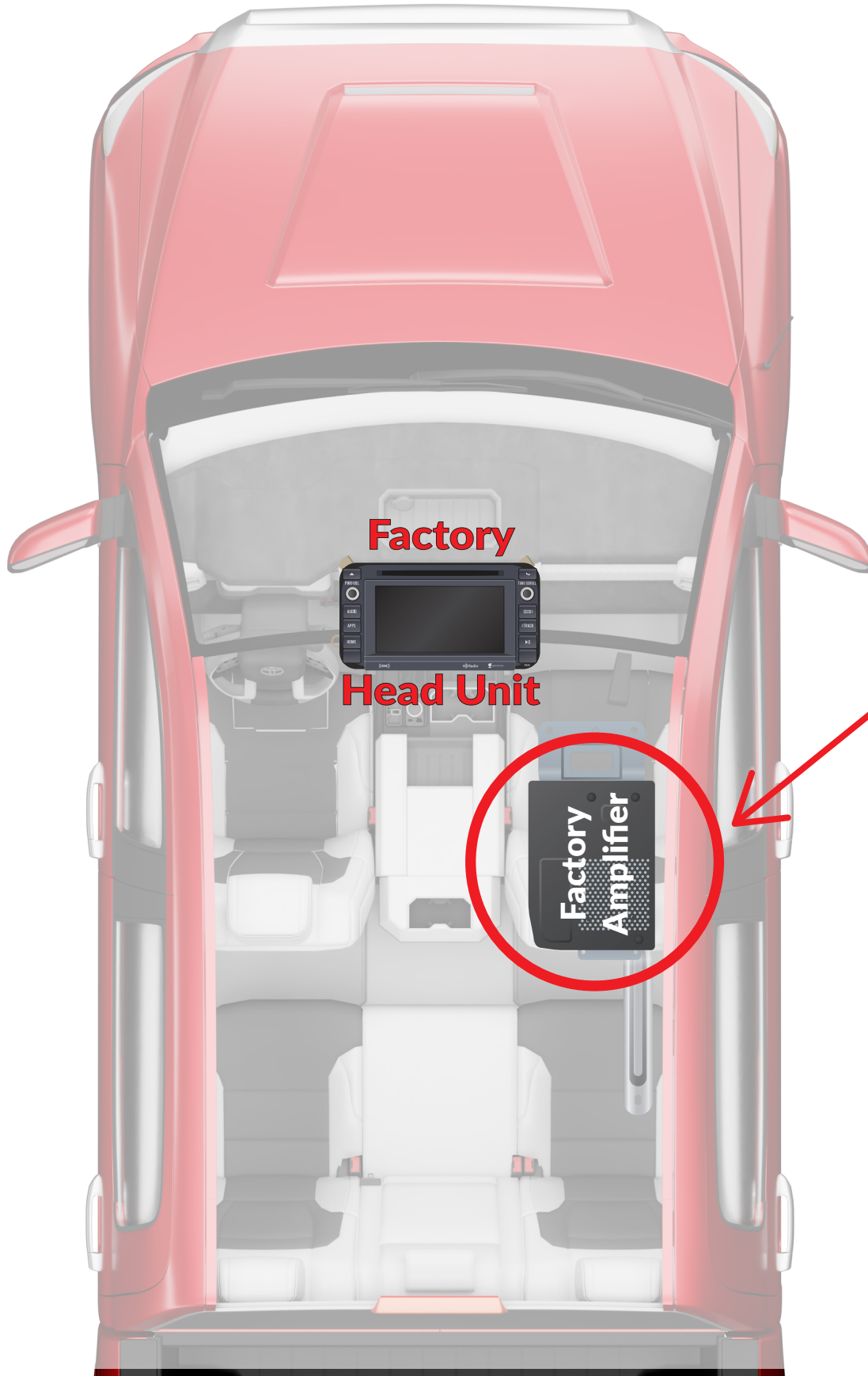


**Harness plugs directly into your factory wiring under the passenger seat.**

**Install these harnesses according steps on the following pages**

SECTION 1a -

# REMOVE FACTORY AMP



**Factory**

**Head Unit**

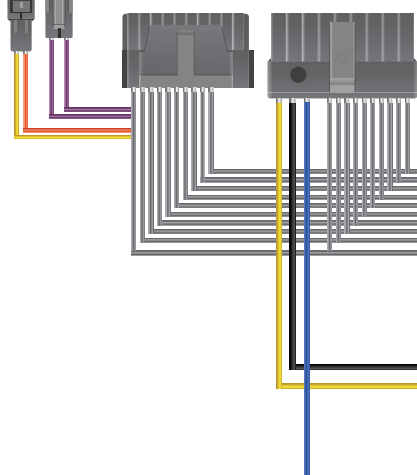
**Factory  
Amplifier**

**Remove  
Factory  
Amplifier**

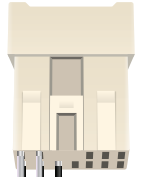
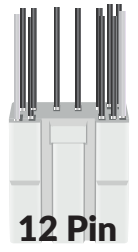
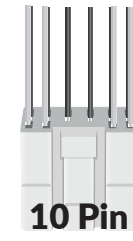
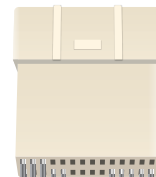
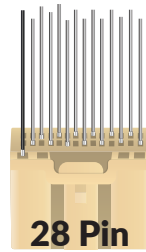
# Connect Harness to factory wiring



NOT USED in this installation.

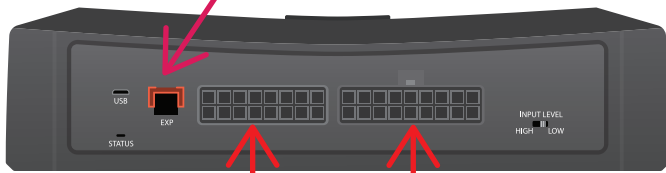


Factory Wiring



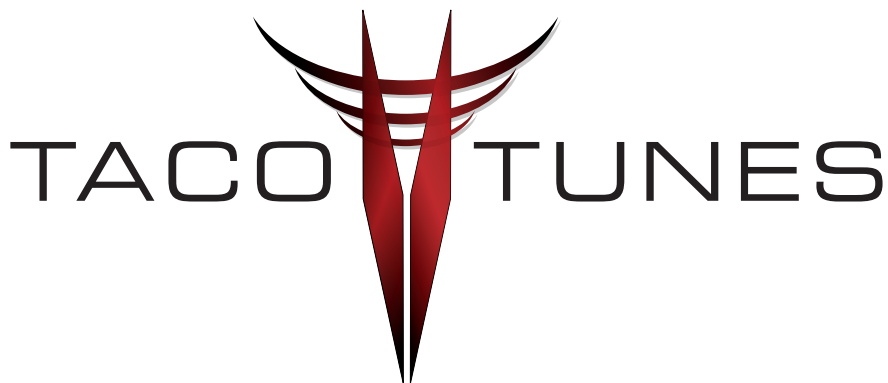
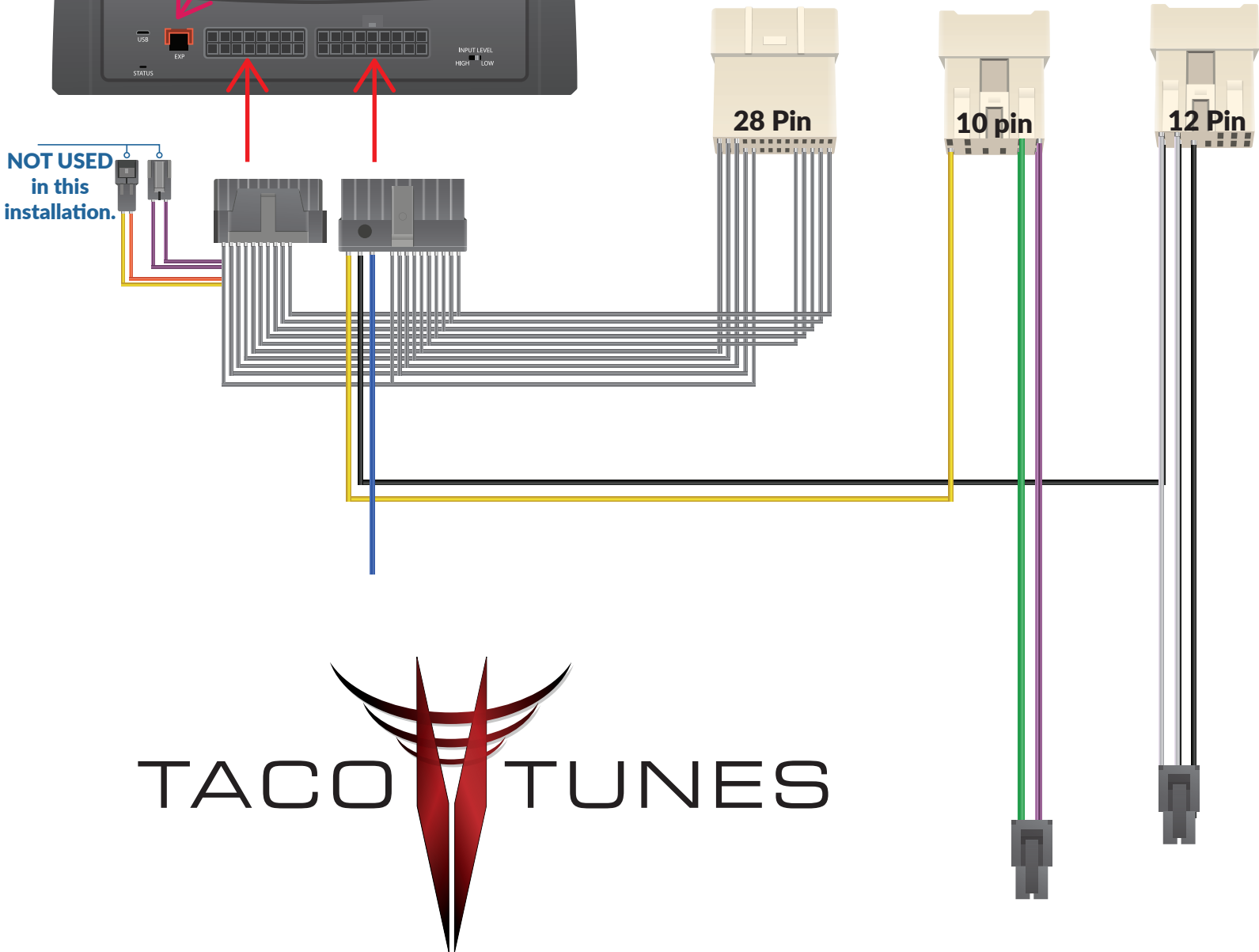
# Connect Harness to DSR1

NOT USED



Connected to factory Wiring

NOT USED  
in this  
installation.

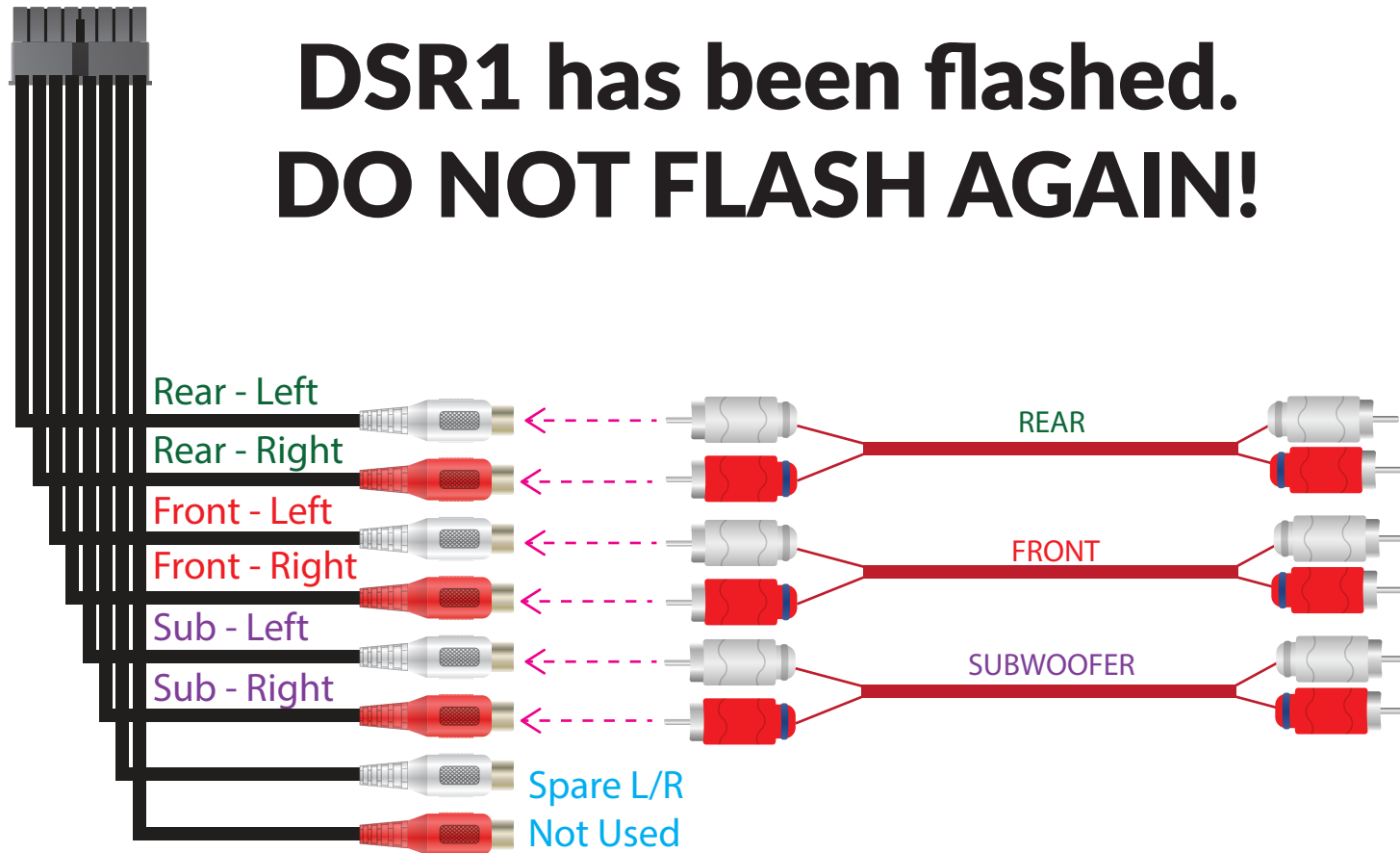


# Connect RCA Cables to DSR1

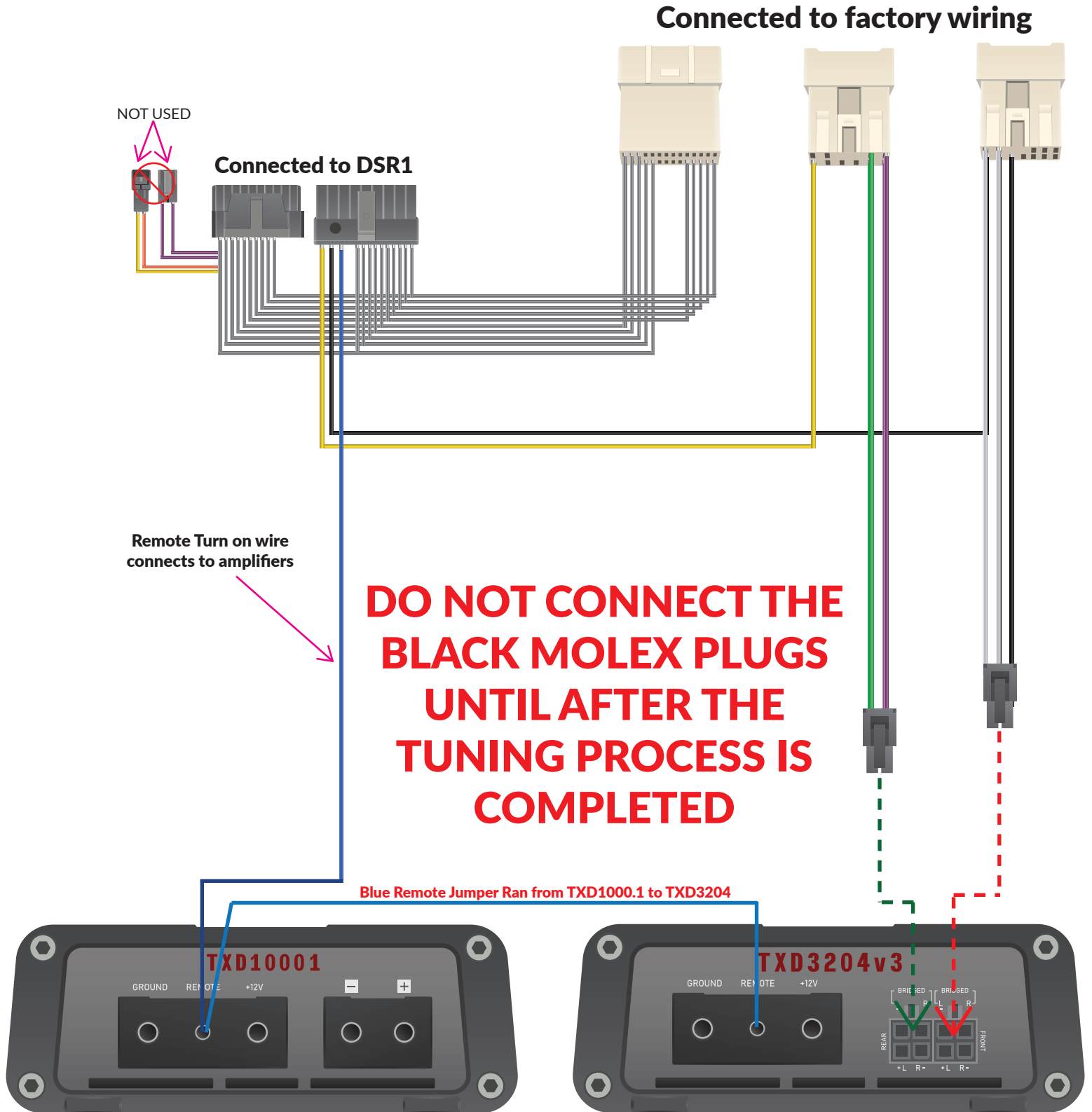
NOT USED



**DSR1 has been flashed.  
DO NOT FLASH AGAIN!**

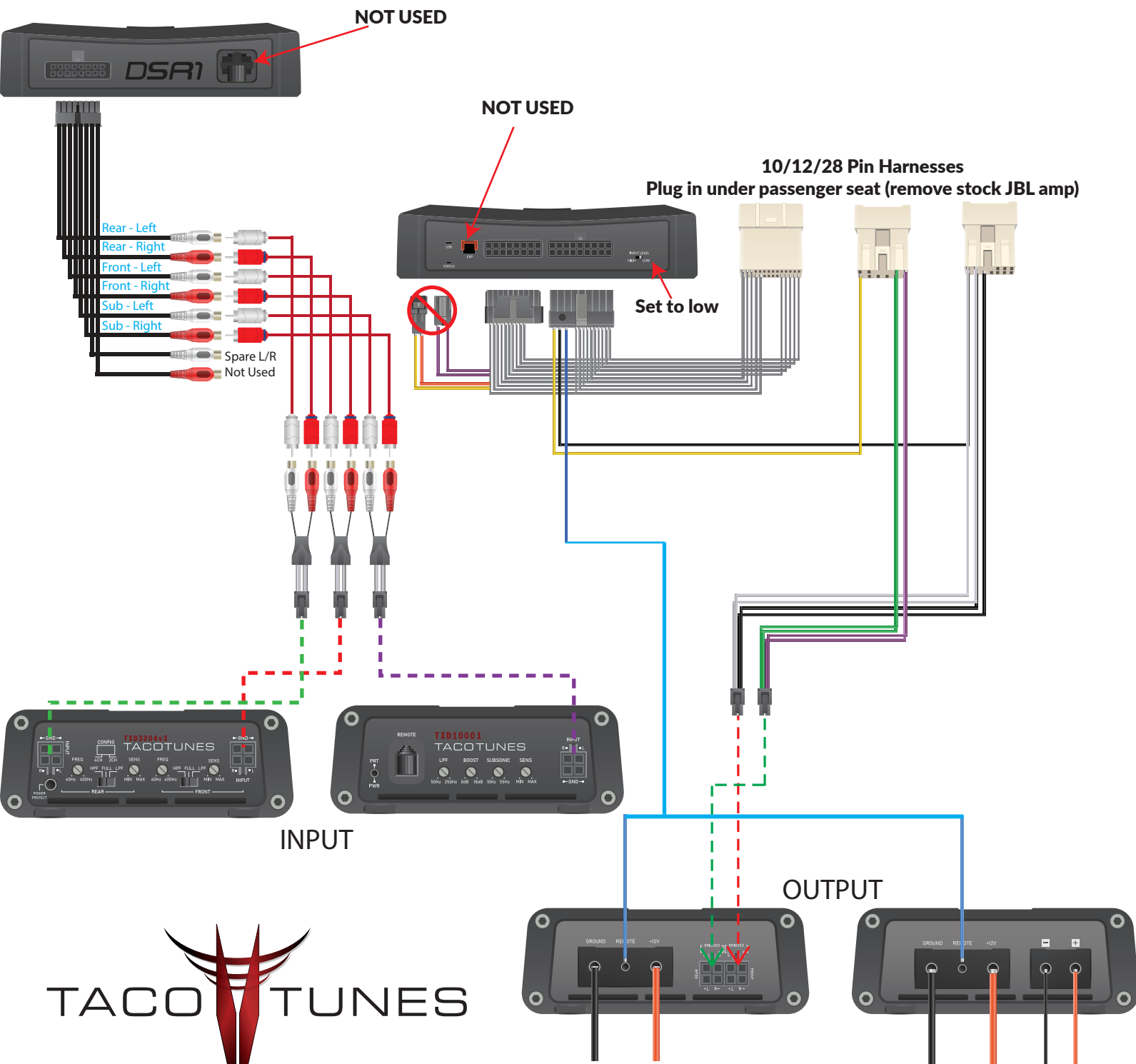


# Connect Harness Leads to Amplifiers

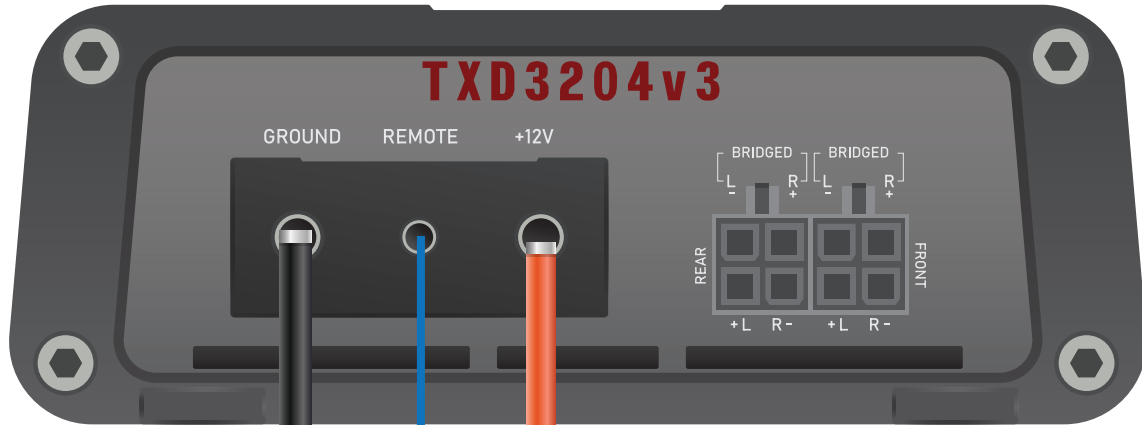




# CONNECTION OVERVIEW



# AMPLIFIER OUTPUT CONNECTION OVERVIEW



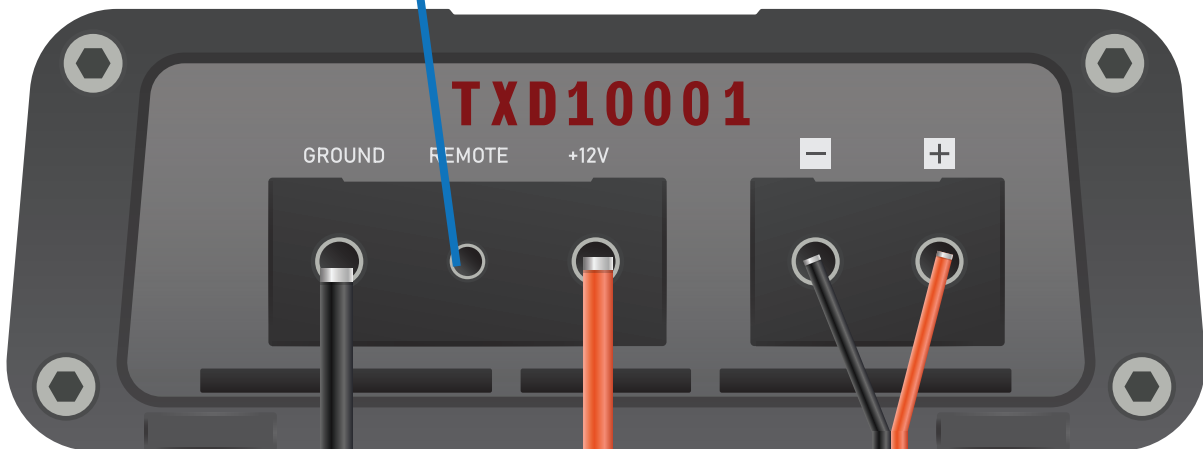
AMPLIFIER  
GROUND,  
GROUNDED TO  
FACTORY  
LOCATION

Blue jumper wire  
coming from  
TXD1000.1

GROUND

POWER

Blue remote wire coming from Plug & Play harness

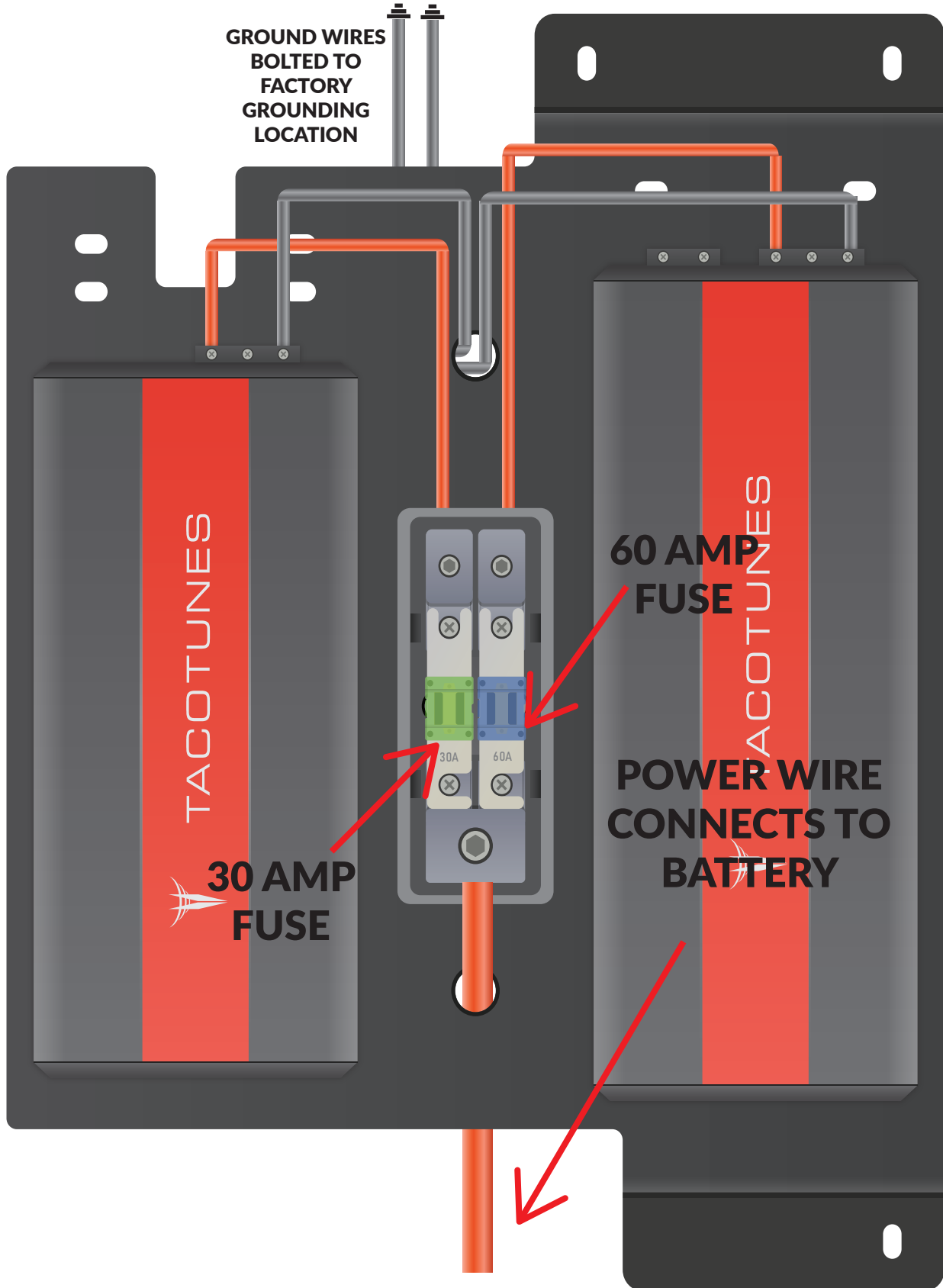


AMPLIFIER  
GROUND,  
GROUNDED TO  
FACTORY  
LOCATION

12G Subwoofer wire connects to  
subwoofer enclosure terminal cup

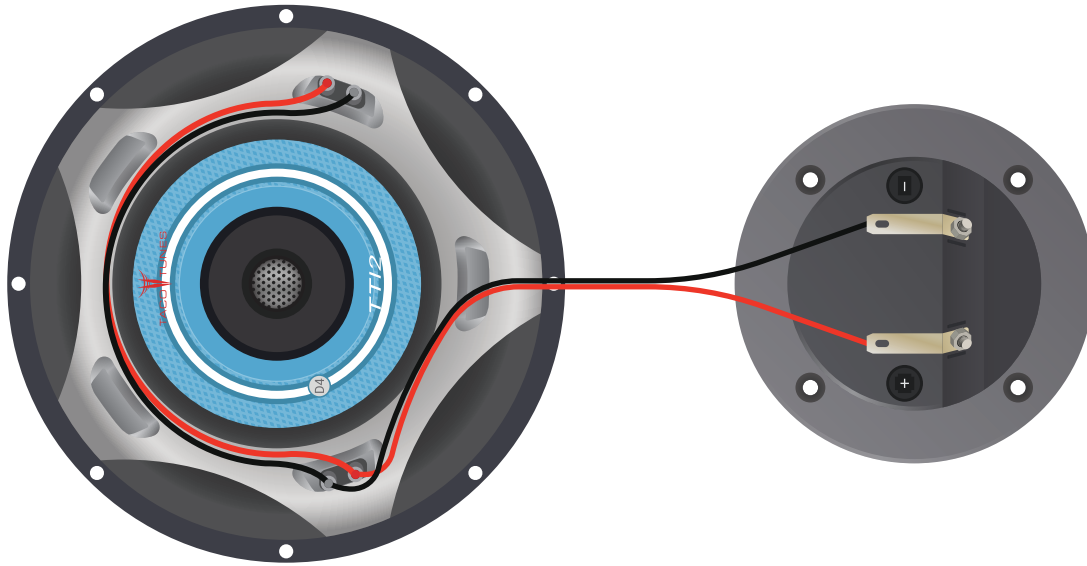
**DO NOT CONNECT SUB WIRING  
TO TERMINAL CUP UNTIL AFTER  
THE TUNING PROCESS IS  
COMPLETED**

# AMP RACK ASSEMBLY OVERVIEW



# SUBWOOFER WIRING

## Single Subwoofer Wiring



## Dual Subwoofer Wiring

