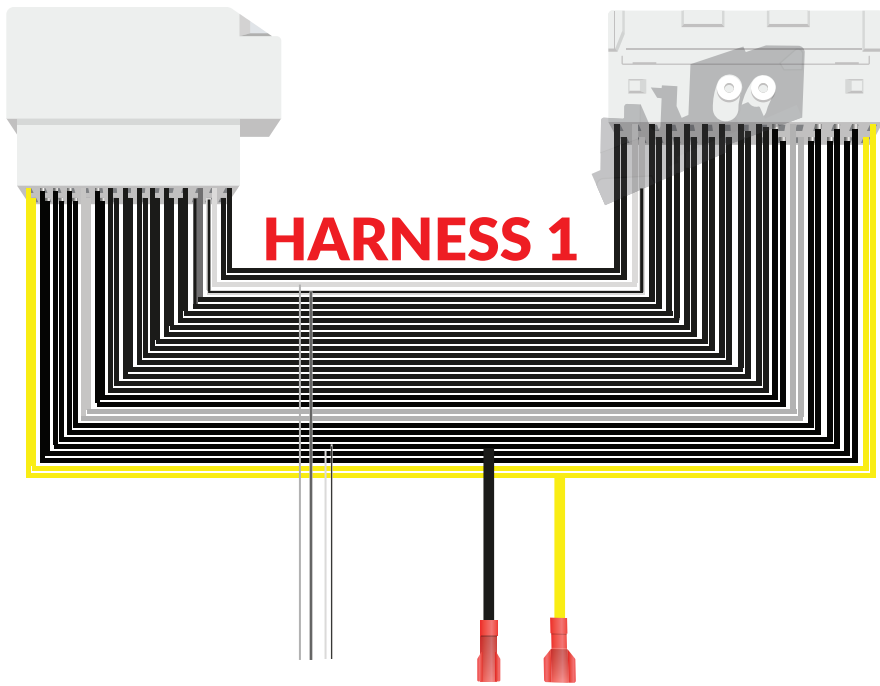


2022+ Toyota Tundra JBL Equipped
BUDGET FRIENDLY
Add a Subwoofer
HARNES PACKAGE

Installation
Guidelines



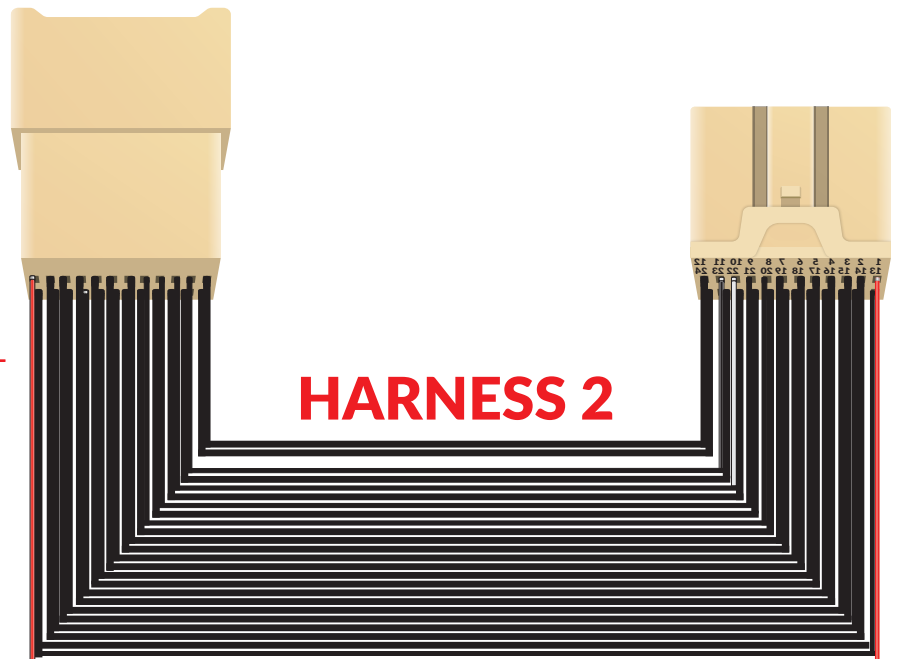
DUAL HARNESS FACTORY INTEGRATION SYSTEM



HARNESS 1

Harness 1 Components:

- 30 Pin plug & Play harness
- Front speaker signal leads
- Black ground wire lead
- Yellow 12v Constant lead

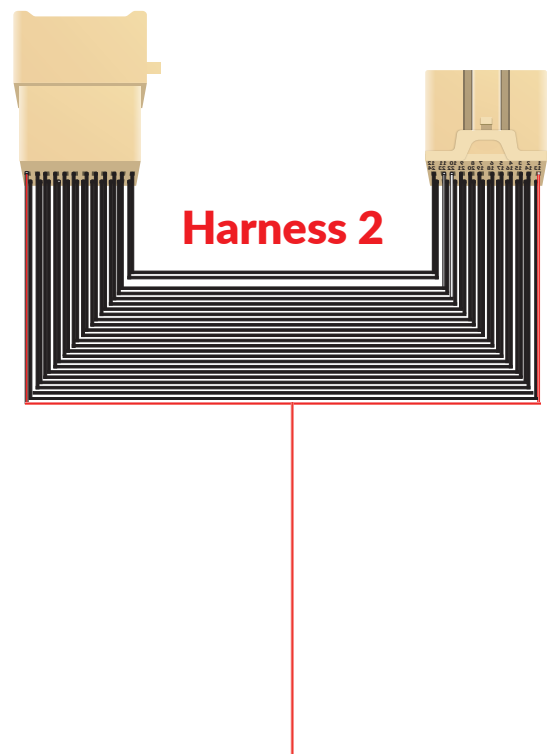
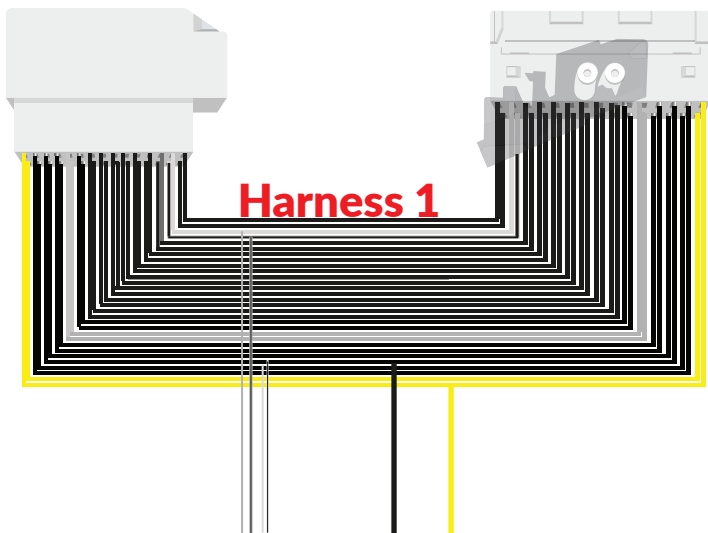


HARNESS 2

Harness 2 Components:

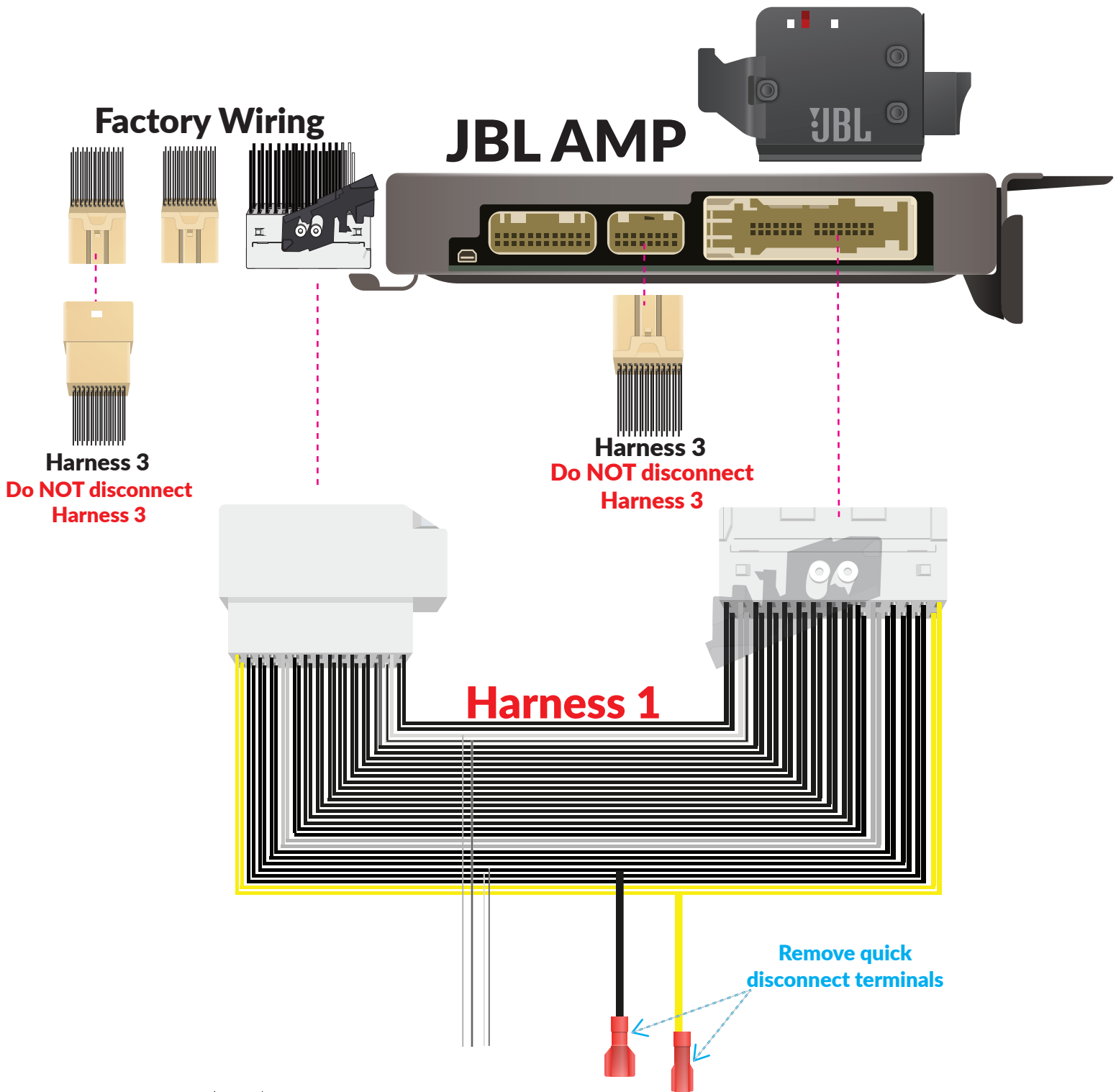
- 24 Pin Plug and play harness
- Accessory turn on/ remote turn on lead

CONNECT HARNESS 1 & 2 TO FACTORY WIRING & AMPLIFIER

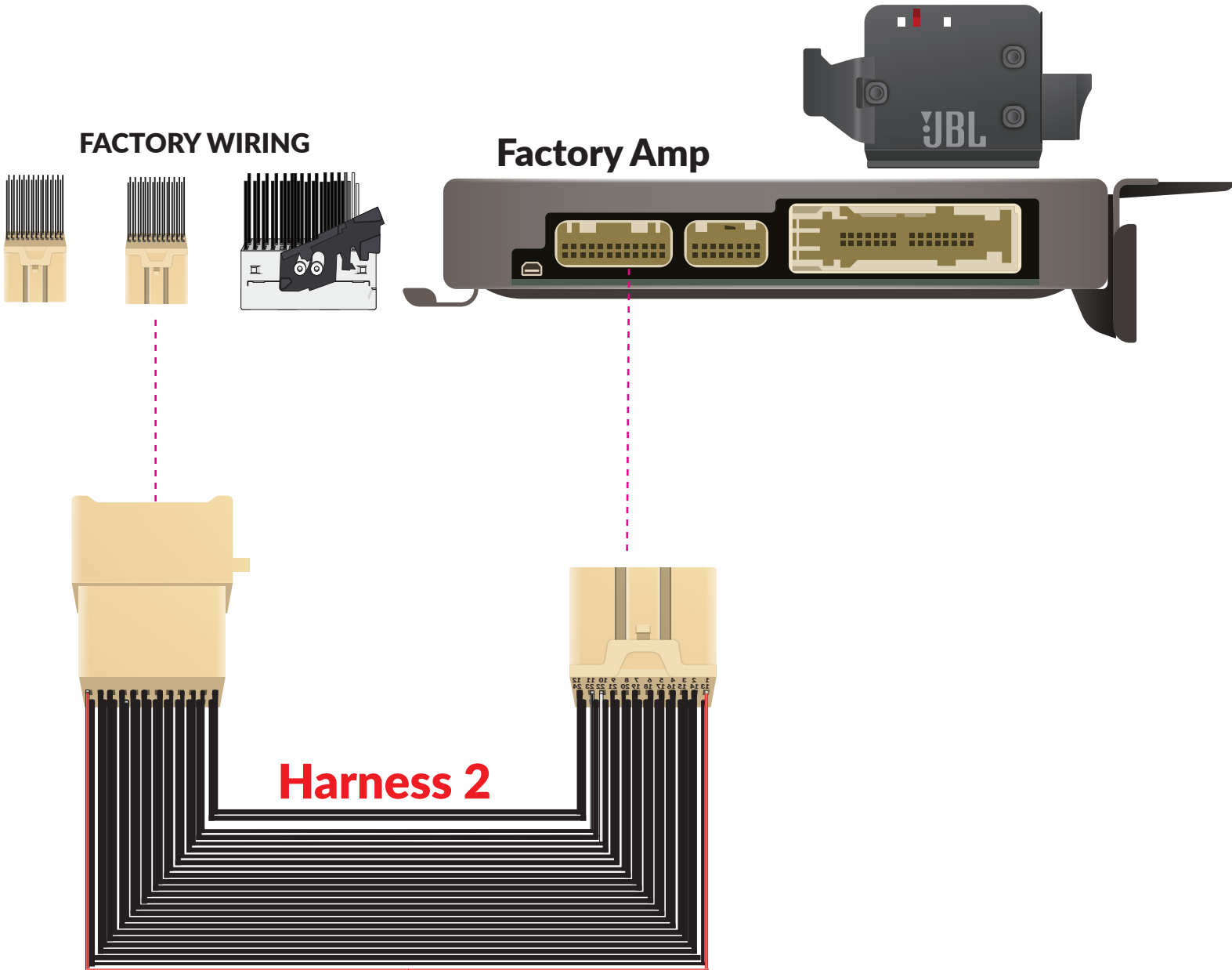


Section 1A-

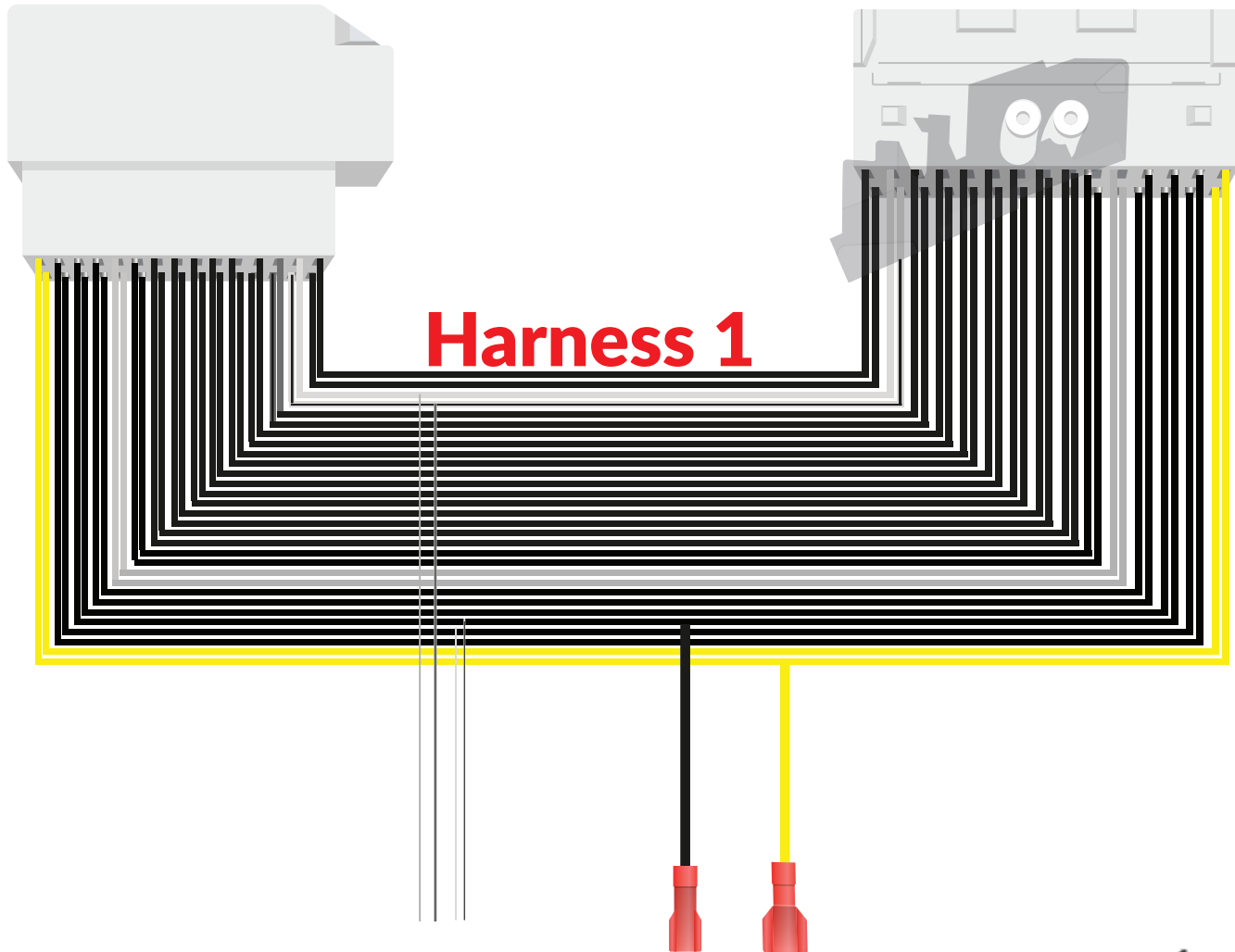
Connect Harness 1 To Factory Amplifier & Wiring



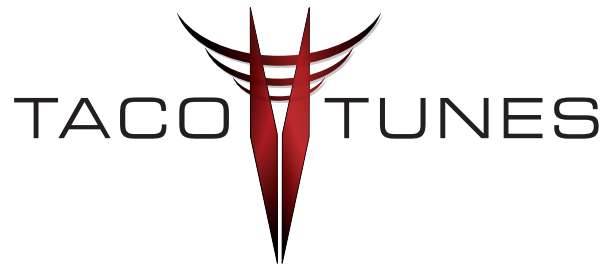
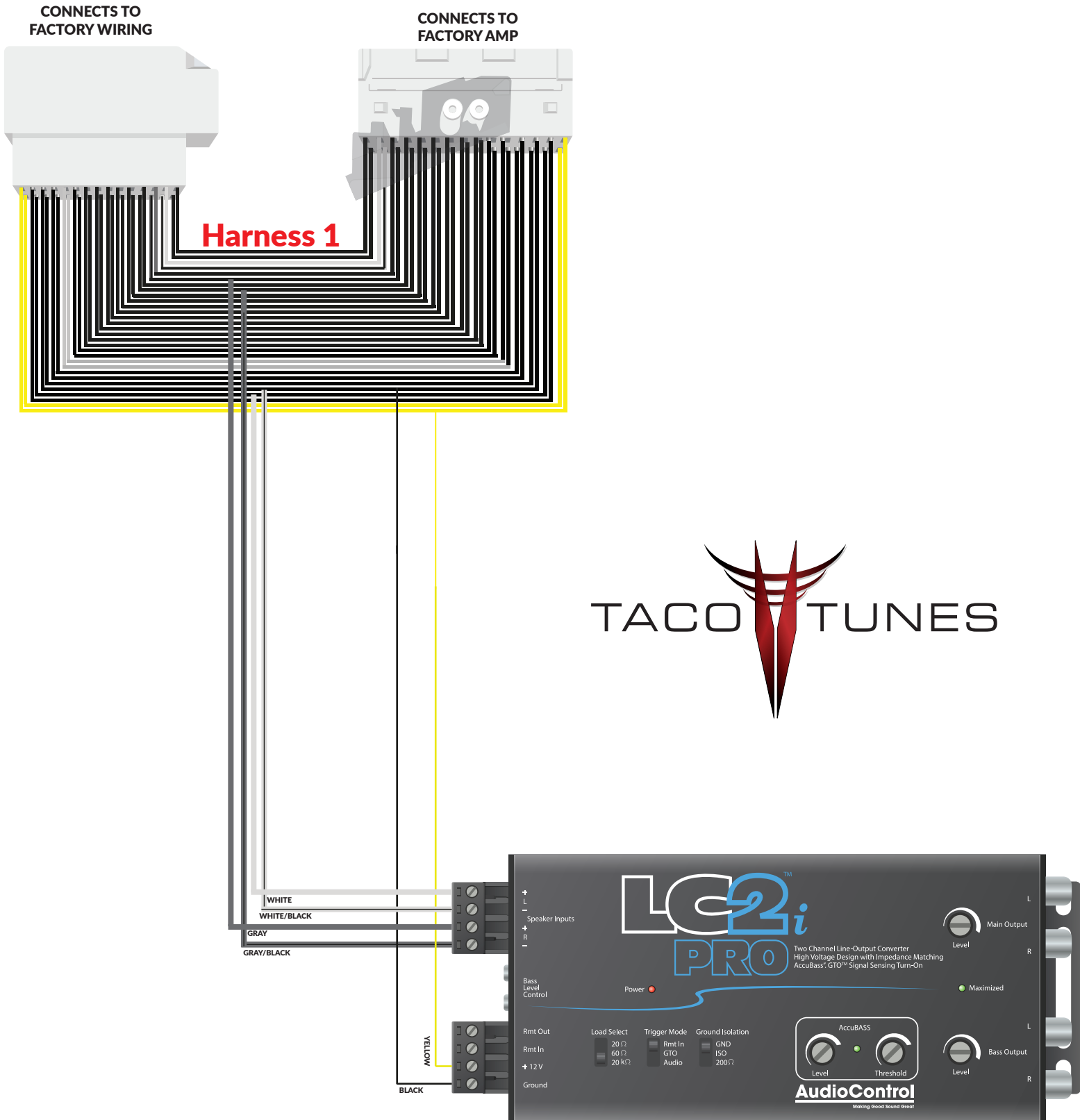
Connect Harness 2 To Factory Amplifier & Wiring



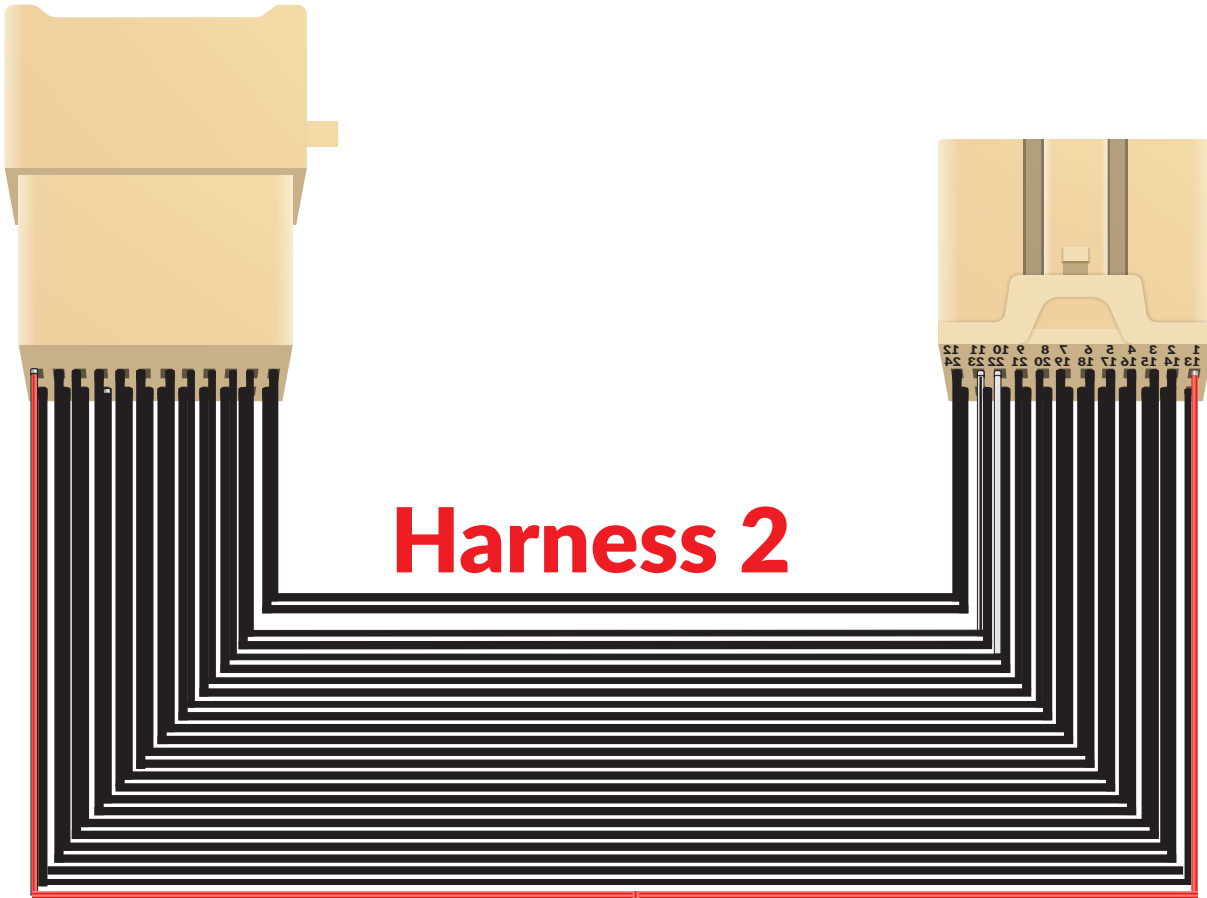
HARNESS 1 CONNECTIONS



HARNES 1- LC2i Pro Connections



HARNESS 2 CONNECTIONS



HARNESS 2- LC2i Pro Connections

Connects to factory
wiring

Connects to factory
amp

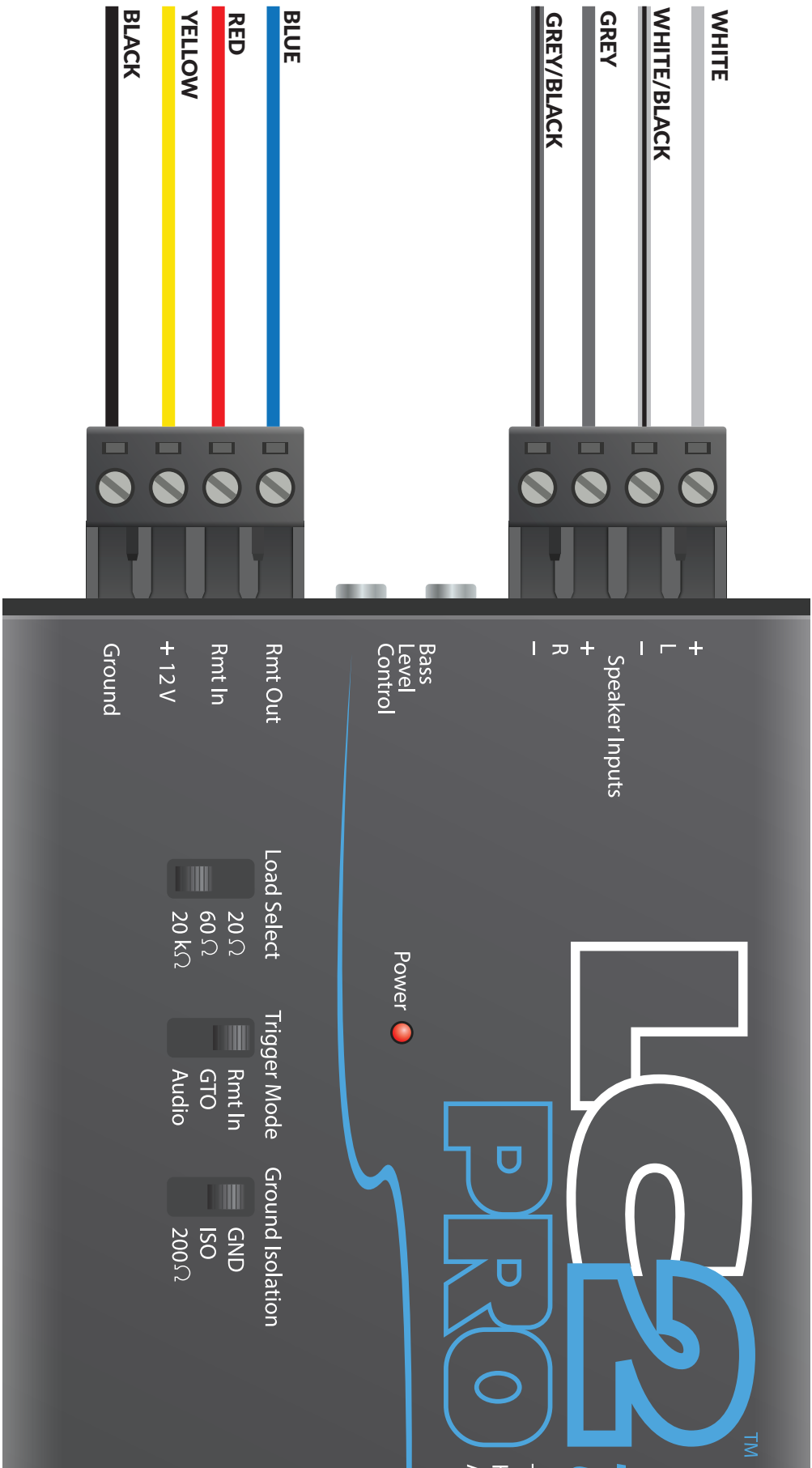
HARNESS 2



**Blue remote wire
(Included in kit)
Connects to Amplifier**



LC2i Pro Connections



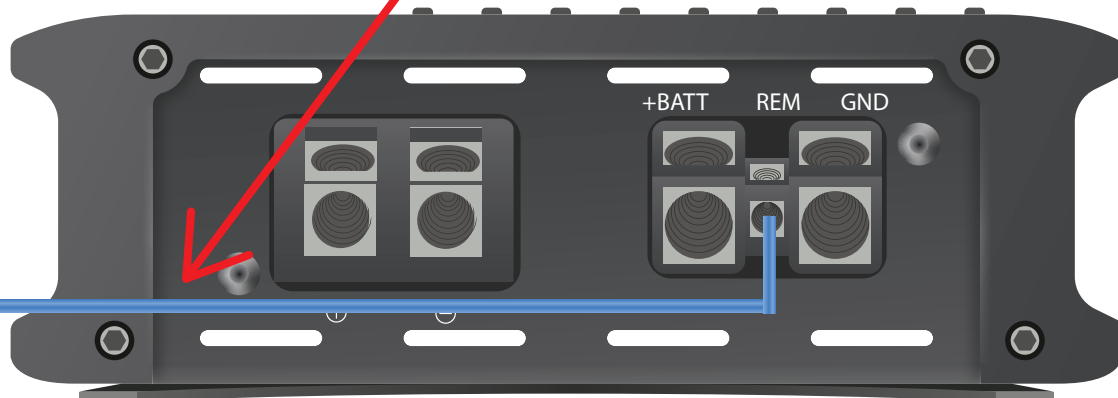
AMPLIFIER CONNECTIONS

Example Installation

INPUT SIDE - Subwoofer Amplifier



OUTPUT SIDE - Subwoofer Amplifier



Blue remote turn on wire connects to amplifier