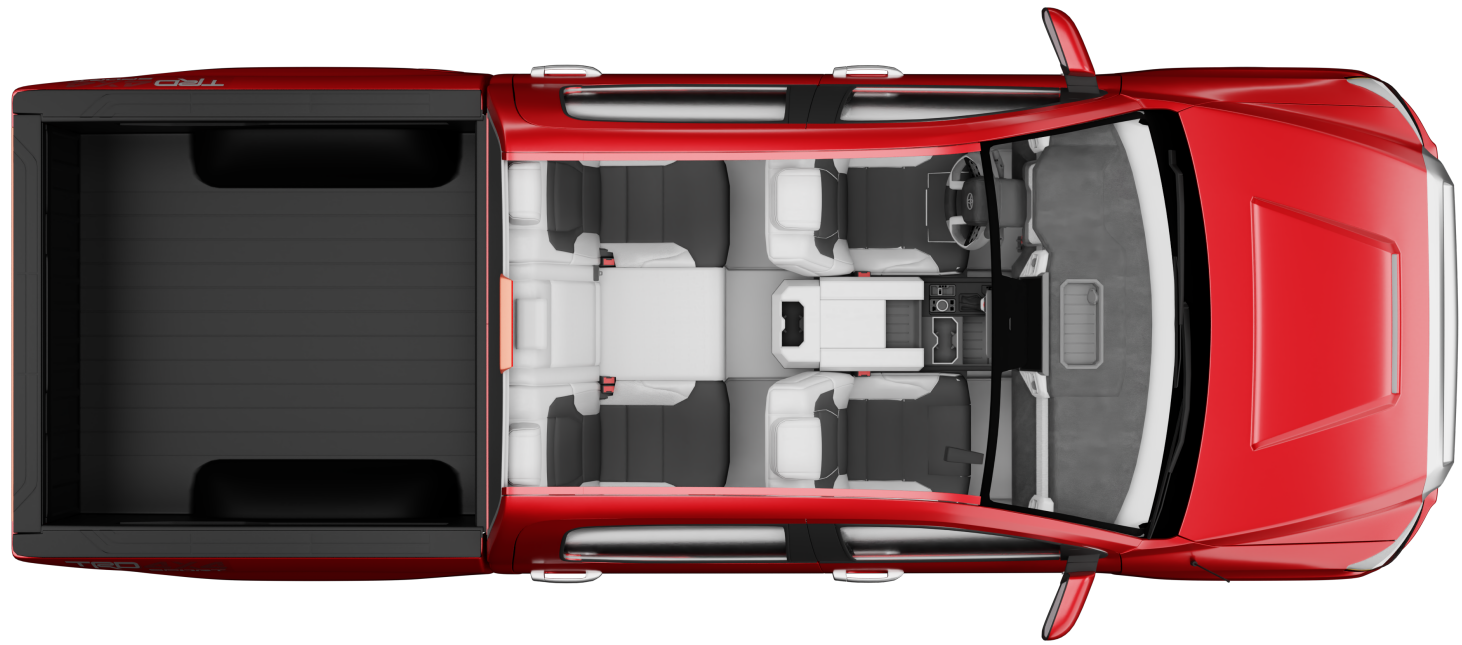


2014-2021 Toyota Tundra Audio Upgrade

Complete Installation Manual

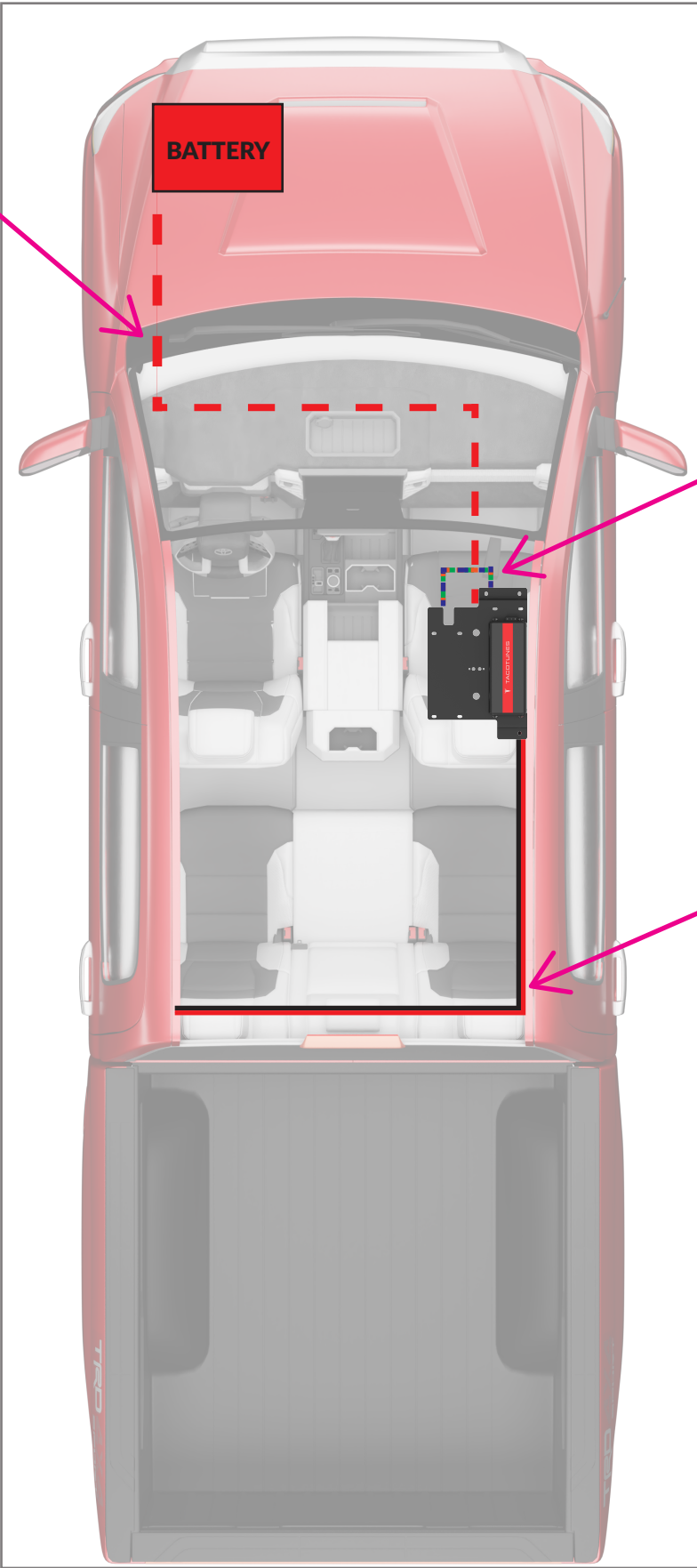


SYSTEM 1A



PLUG & PLAY INTEGRATION OVERVIEW

8G Power Wire
runs from
battery to TXD
Amplifiers



**Connect to factory
wiring under seat, &
to TXD Amplifiers:**

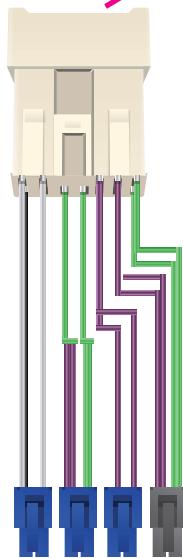
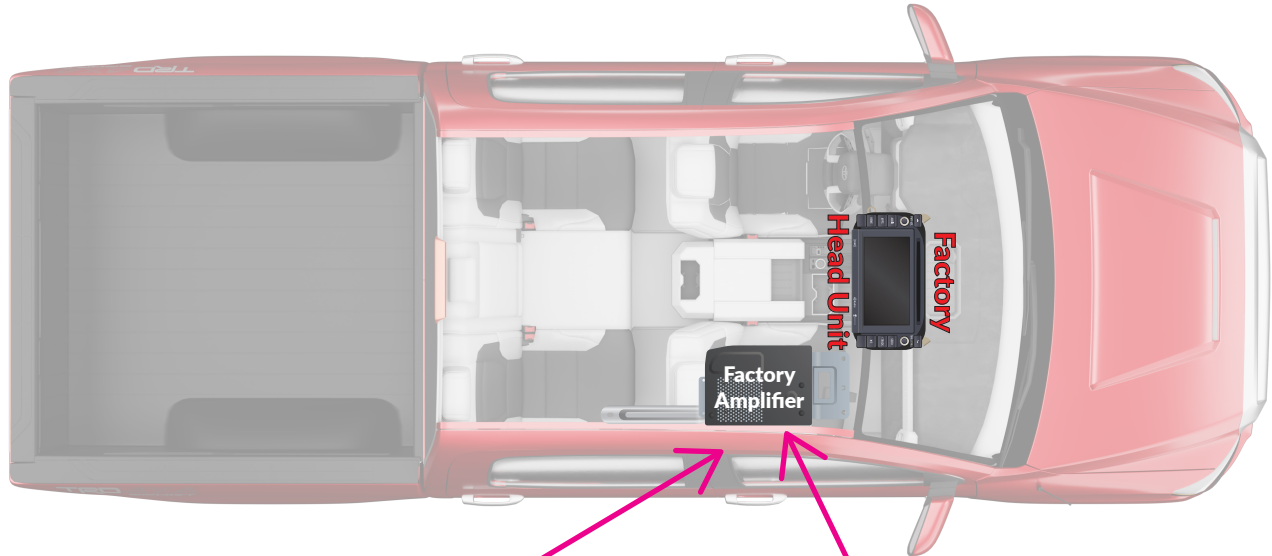
**Plug & play harness 1
Plug & play harness 2**

**12 Gauge
subwoofer wire
ran from
TXD1000.5 to
behind rear seat**

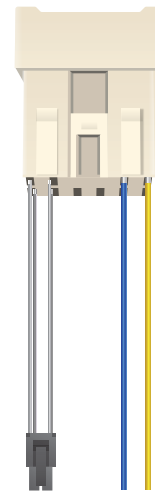
SECTION 1 -

Plug and Play Harness Integration

Factory Amp Under Seat



Harness 1



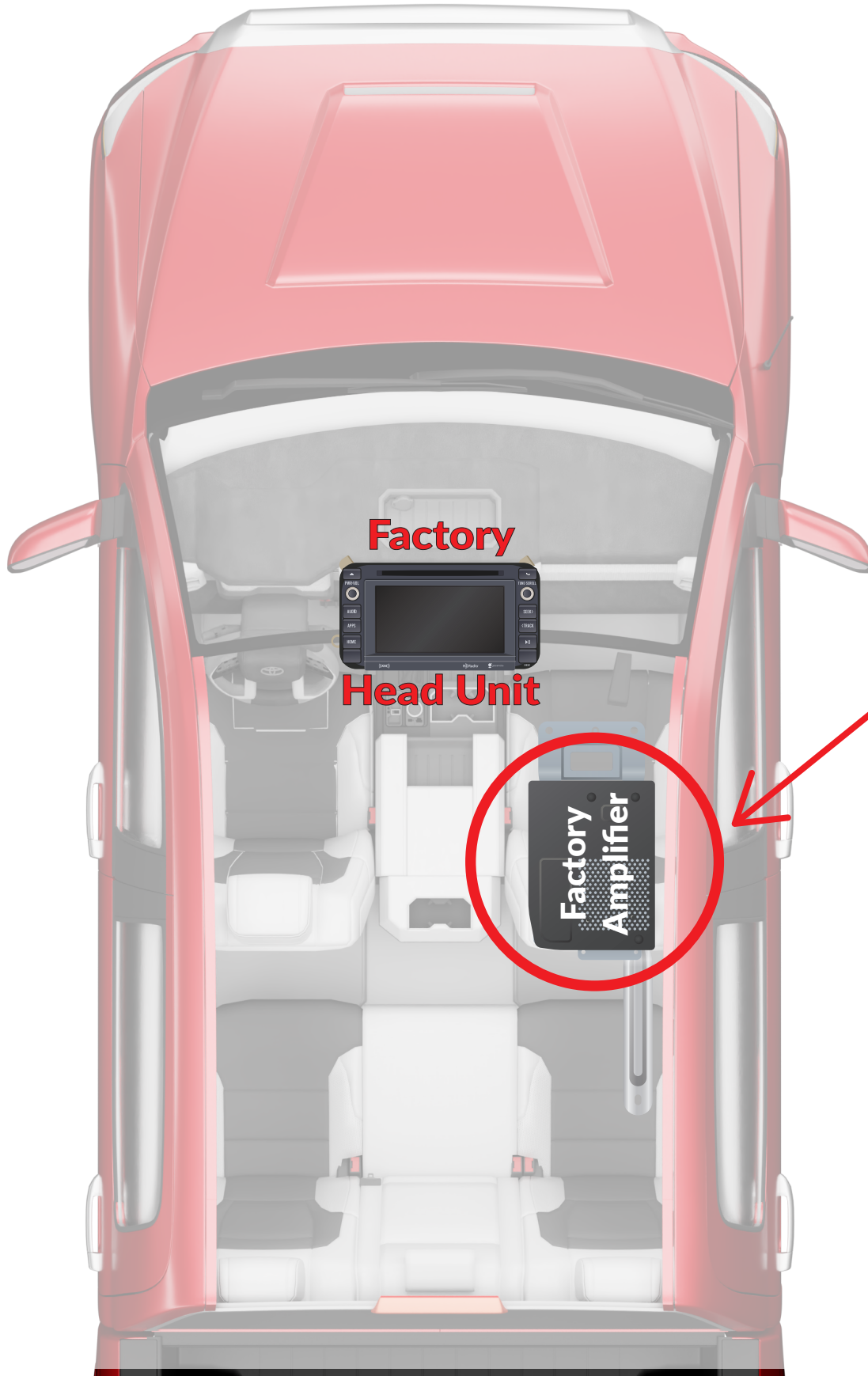
Harness 2

Harness 1 & 2 plug directly into your factory wiring under the passenger seat.

Install these harnesses according steps on the following pages

SECTION 1a -

REMOVE FACTORY AMP



Factory

Head Unit

Factory
Amplifier

Remove
Factory
Amplifier

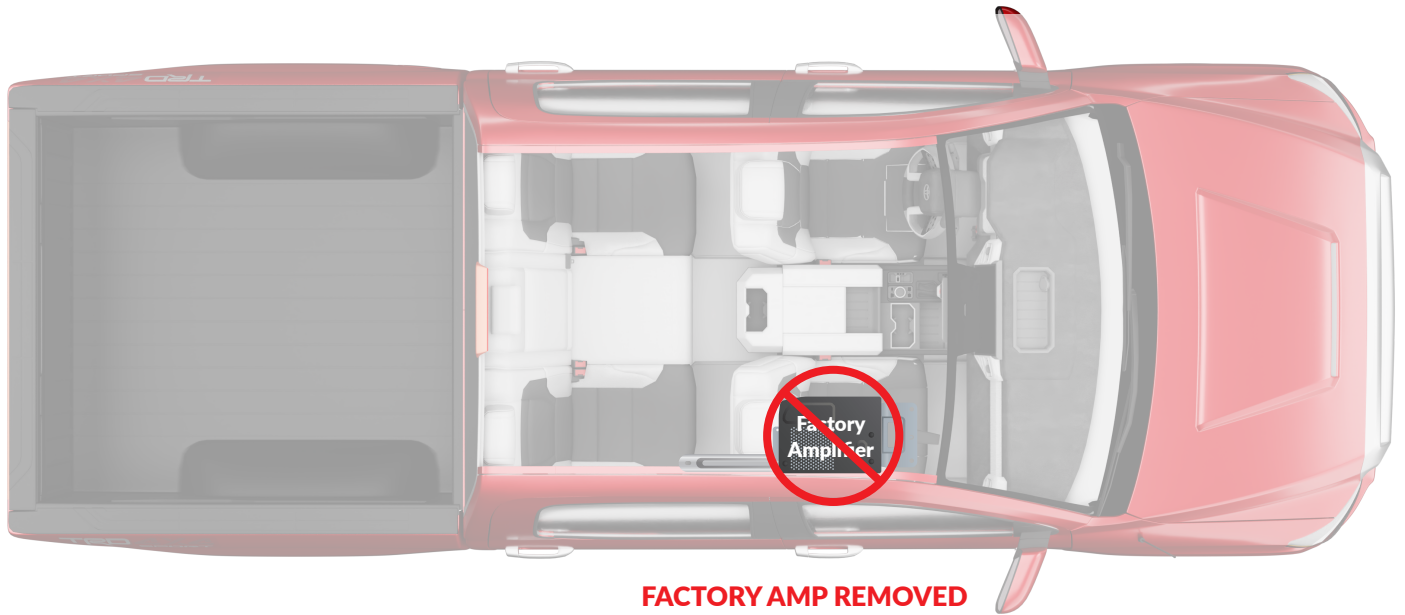


**THE FOLLOWING
CONNECTIONS ARE FOR
2014-2019 TOYOTA
TUNDRAS**

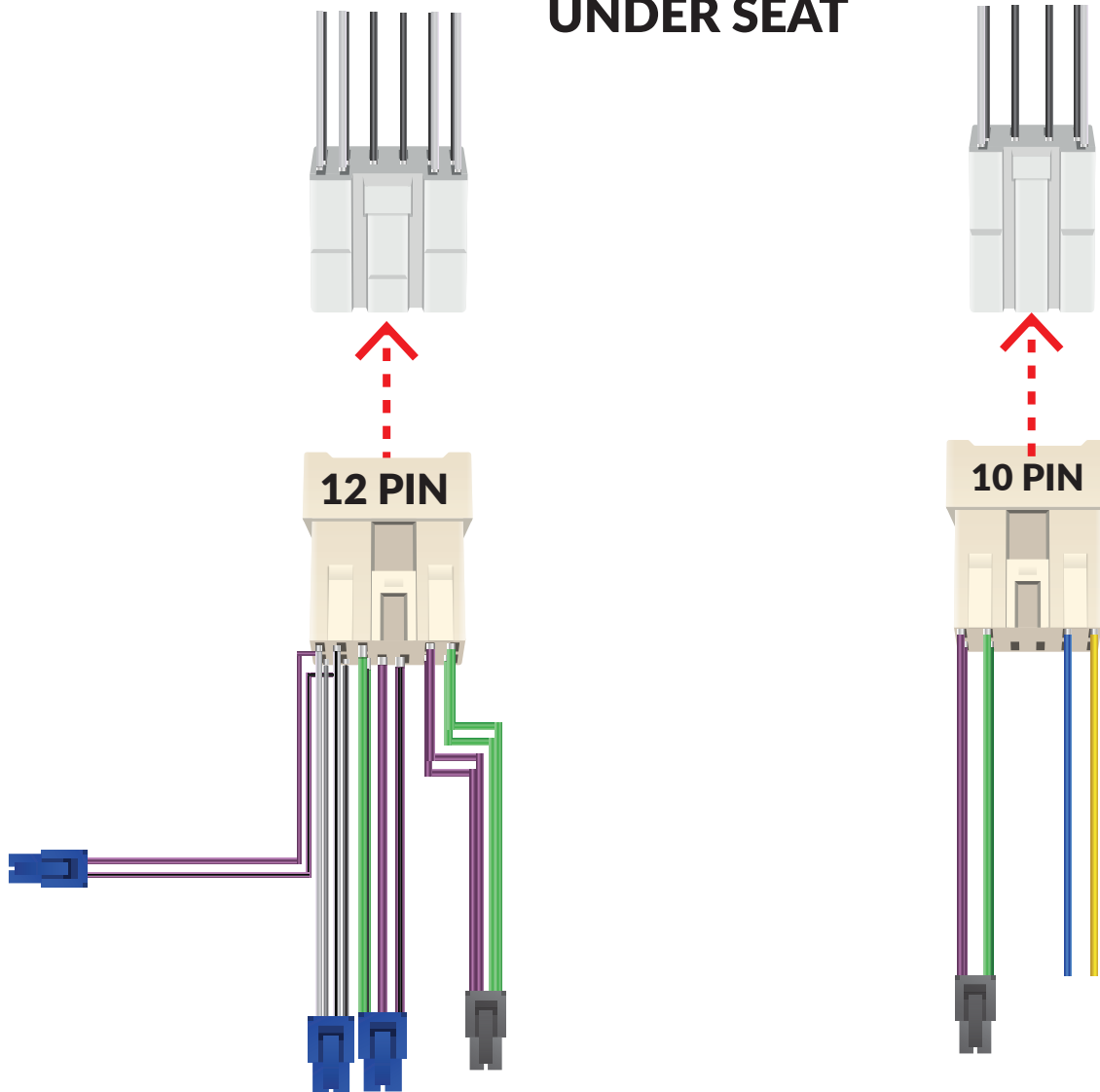
2020-2021 Connections are
pages 11-19

SECTION 1b -

CONNECT PLUG & PLAY WIRING

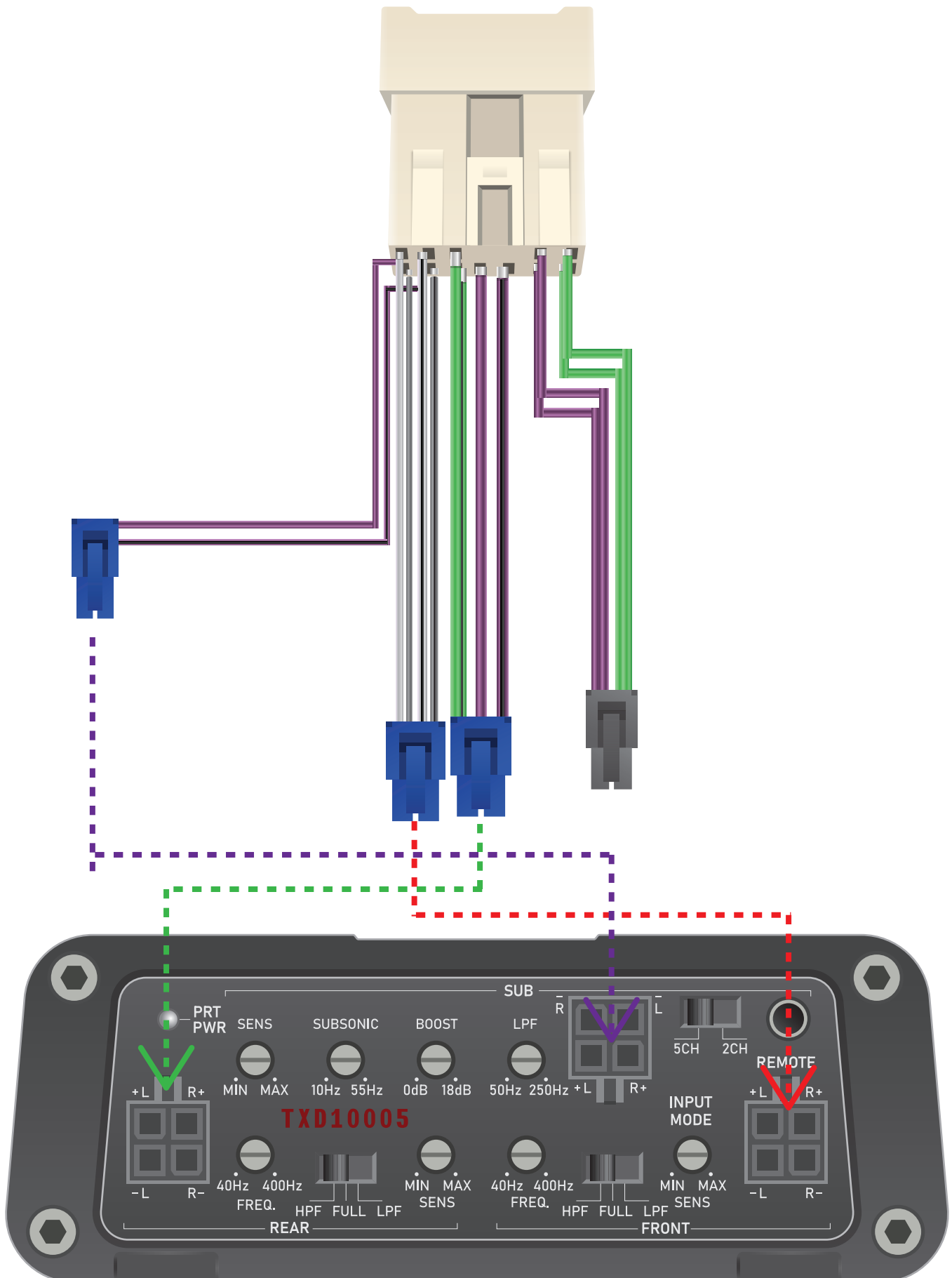


CONNECT PLUG AND PLAY HARNESS 1 & 2 TO FACTORY WIRING UNDER SEAT

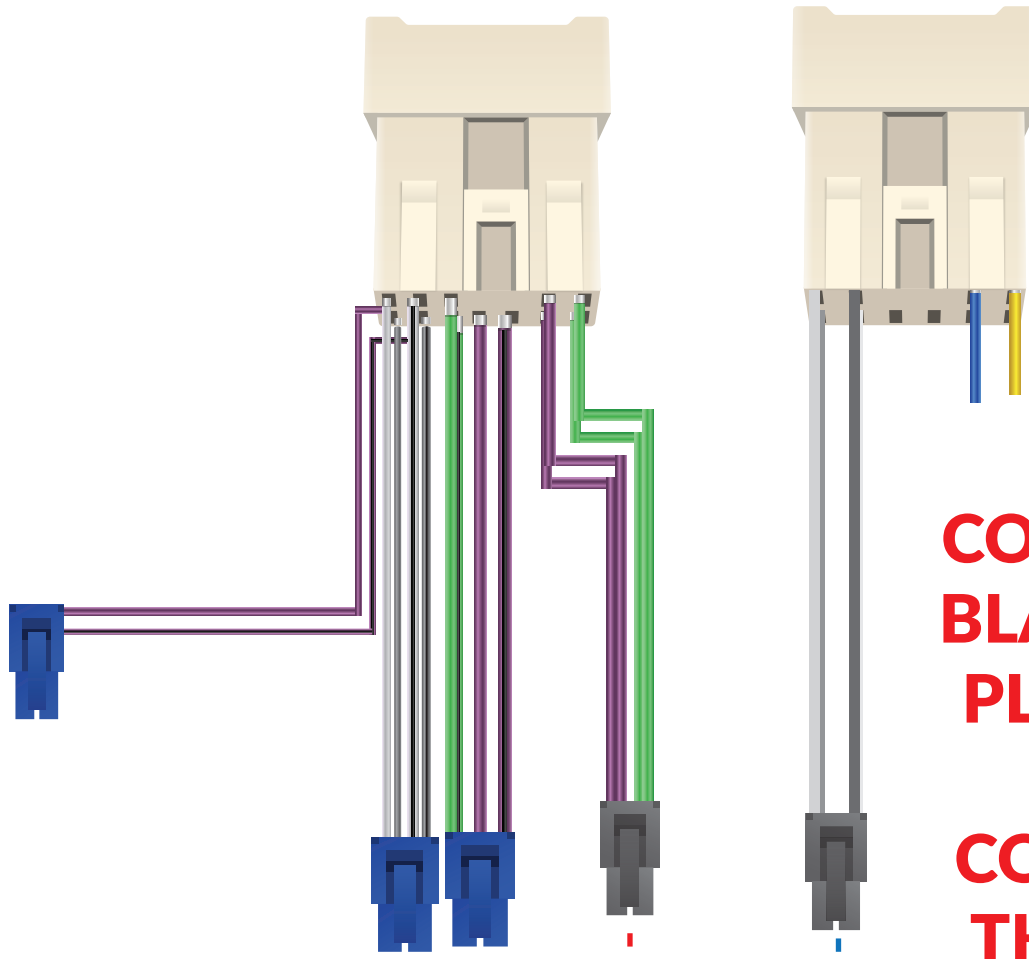


SECTION 1c -

Connect Blue Molex Plugs to Amp Inputs

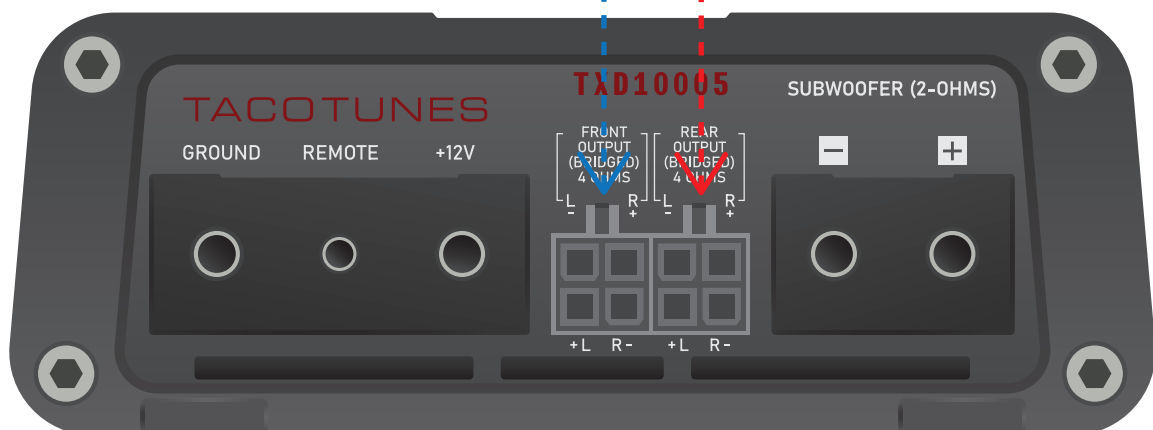


BLACK MOLEX PLUGS

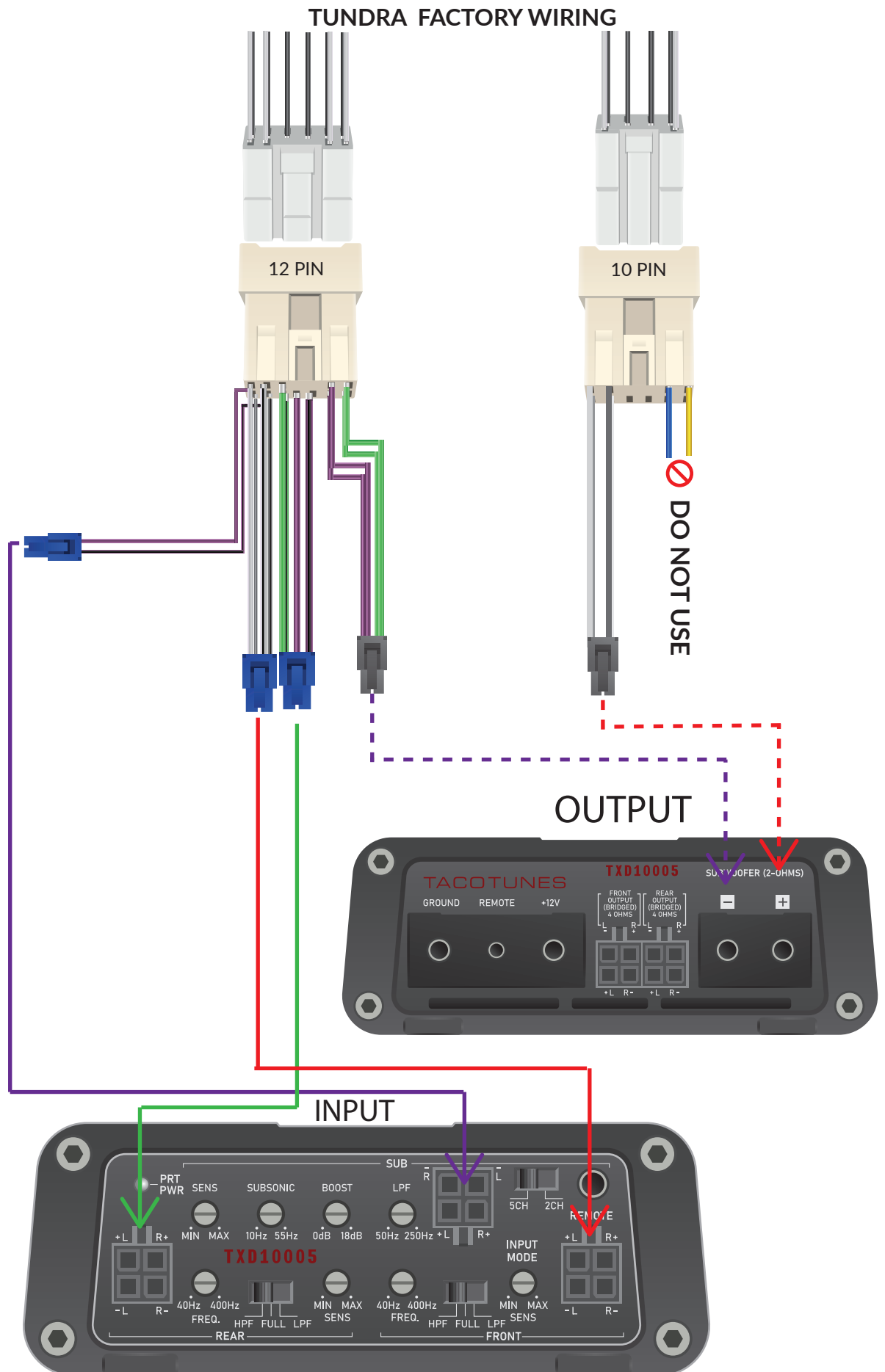


**DO NOT
CONNECT THE
BLACK MOLEX
PLUGS UNTIL
AFTER
COMPLETING
THE TUNING
PROCESS**

OUTPUT



PLUG AND PLAY HARNESS CONNECTION OVERVIEW



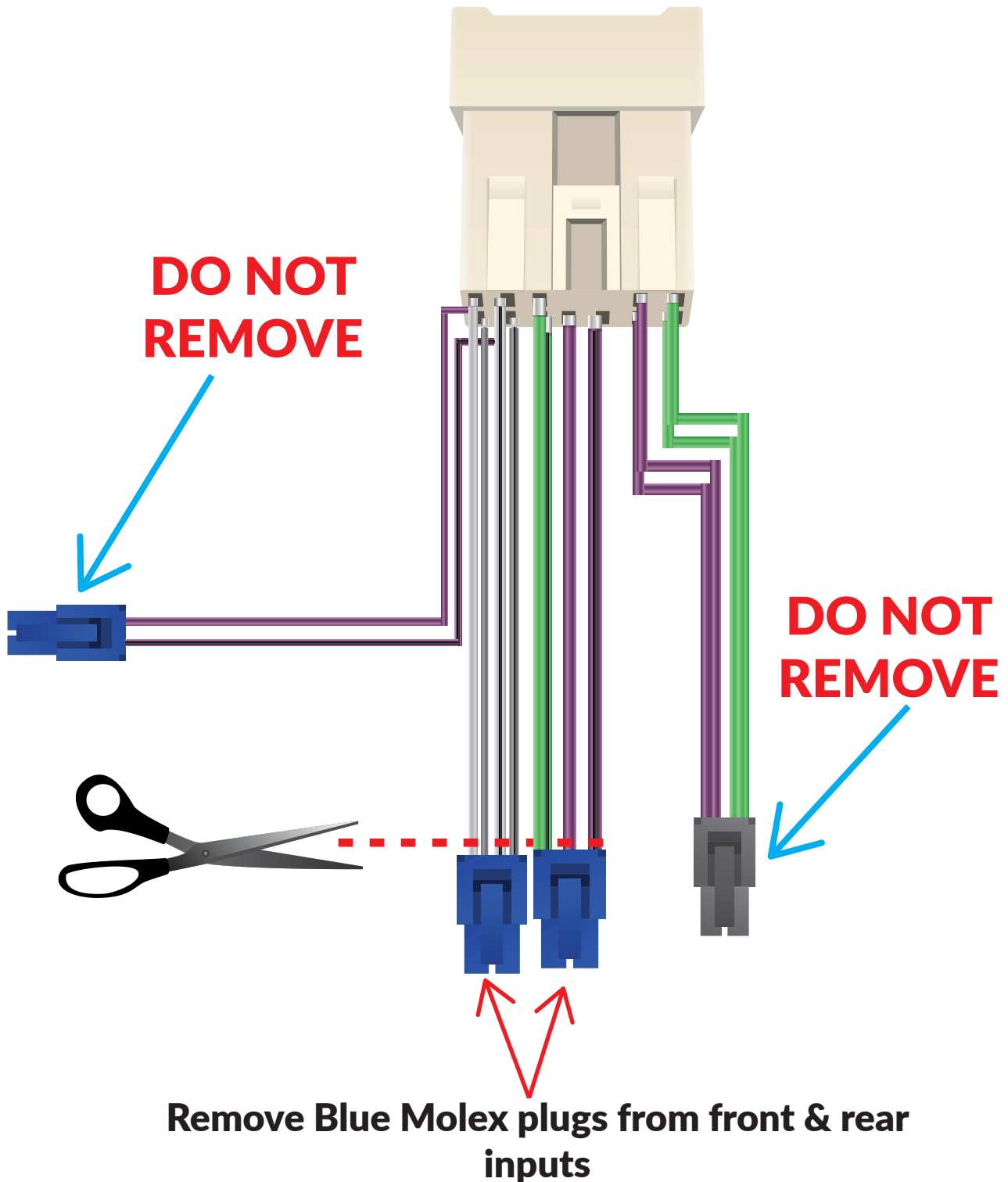


**THE FOLLOWING
CONNECTIONS ARE
FOR 2020-2021 TOYOTA
TUNDRAS**

2014-2019 Connections are
pages 6-9

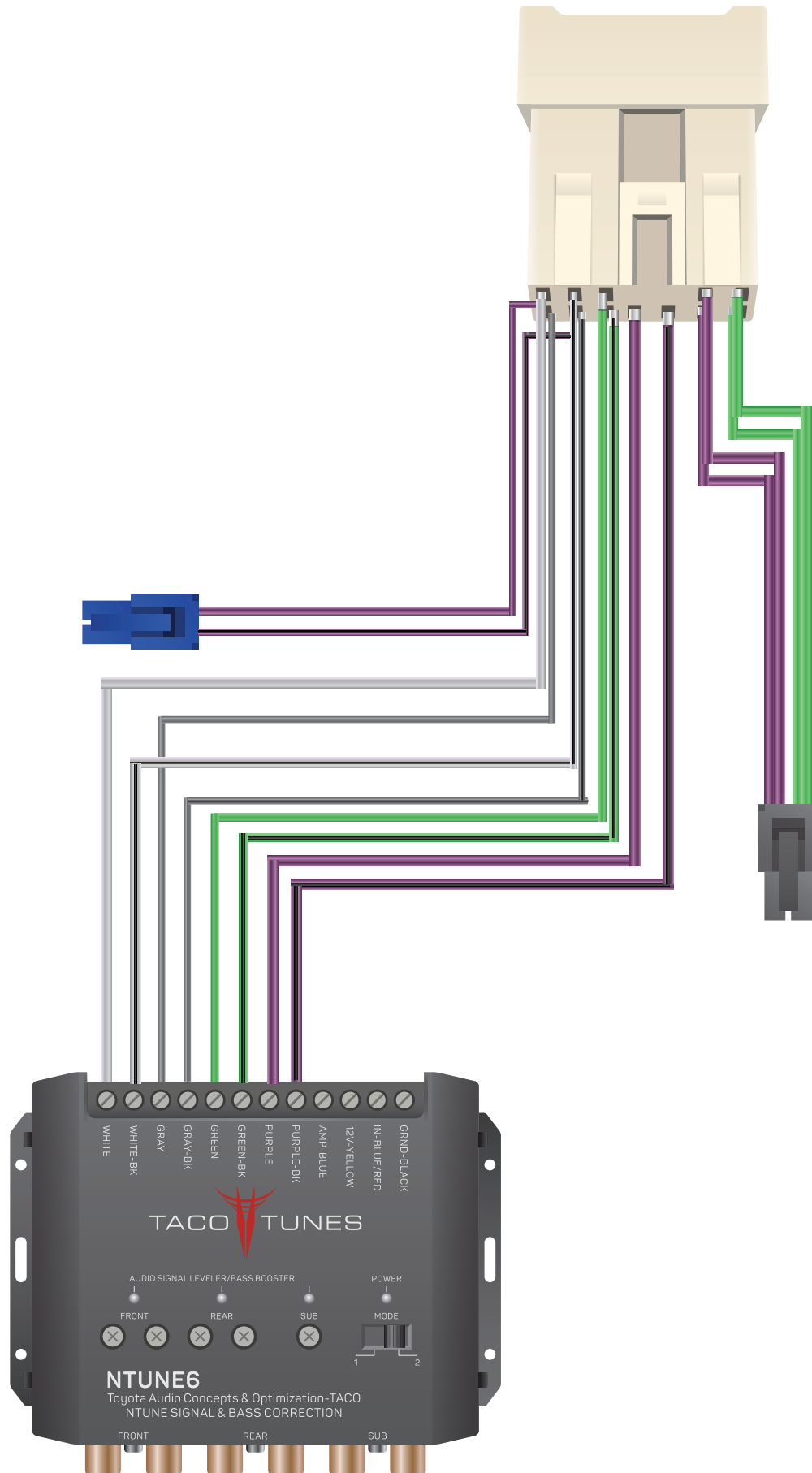
HARNES LEAD CONNECTIONS

BLUE MOLEX PLUGS



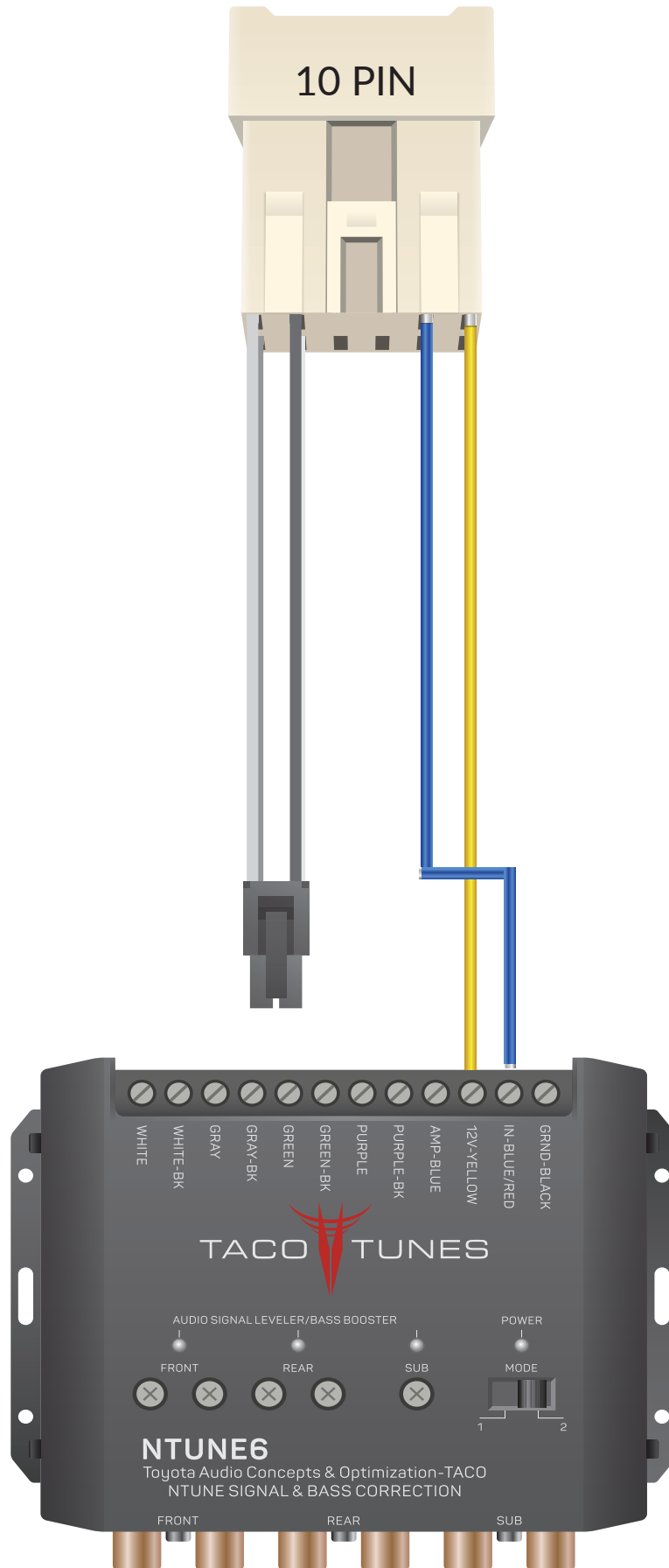
SECTION 1c -

Connect 12 pin leads to NTUNE6



SECTION 1c -

Connect 10 pin leads to NTUNE6



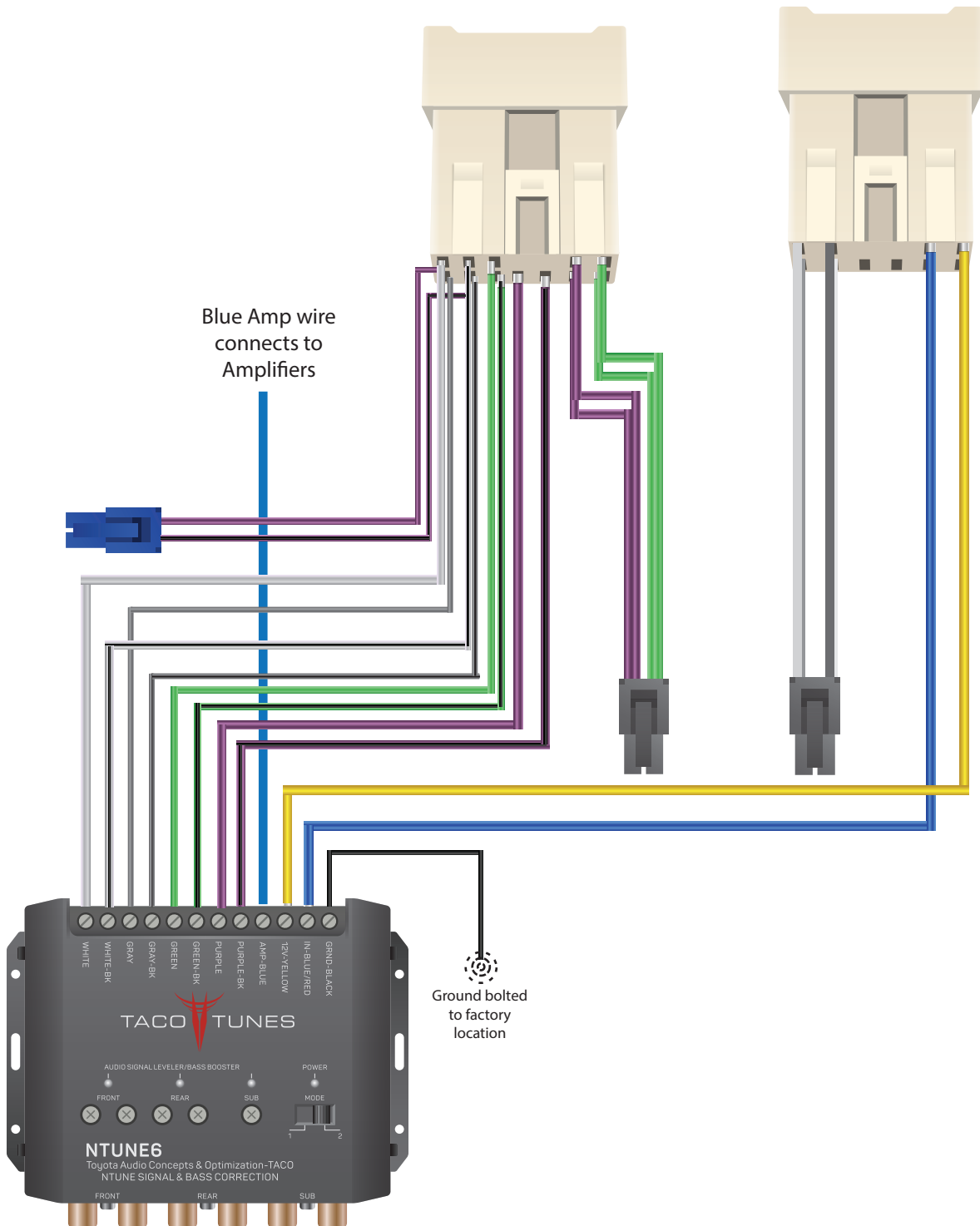
NTUNE6

Color Code Overview



NTUNE6

Connections Overview



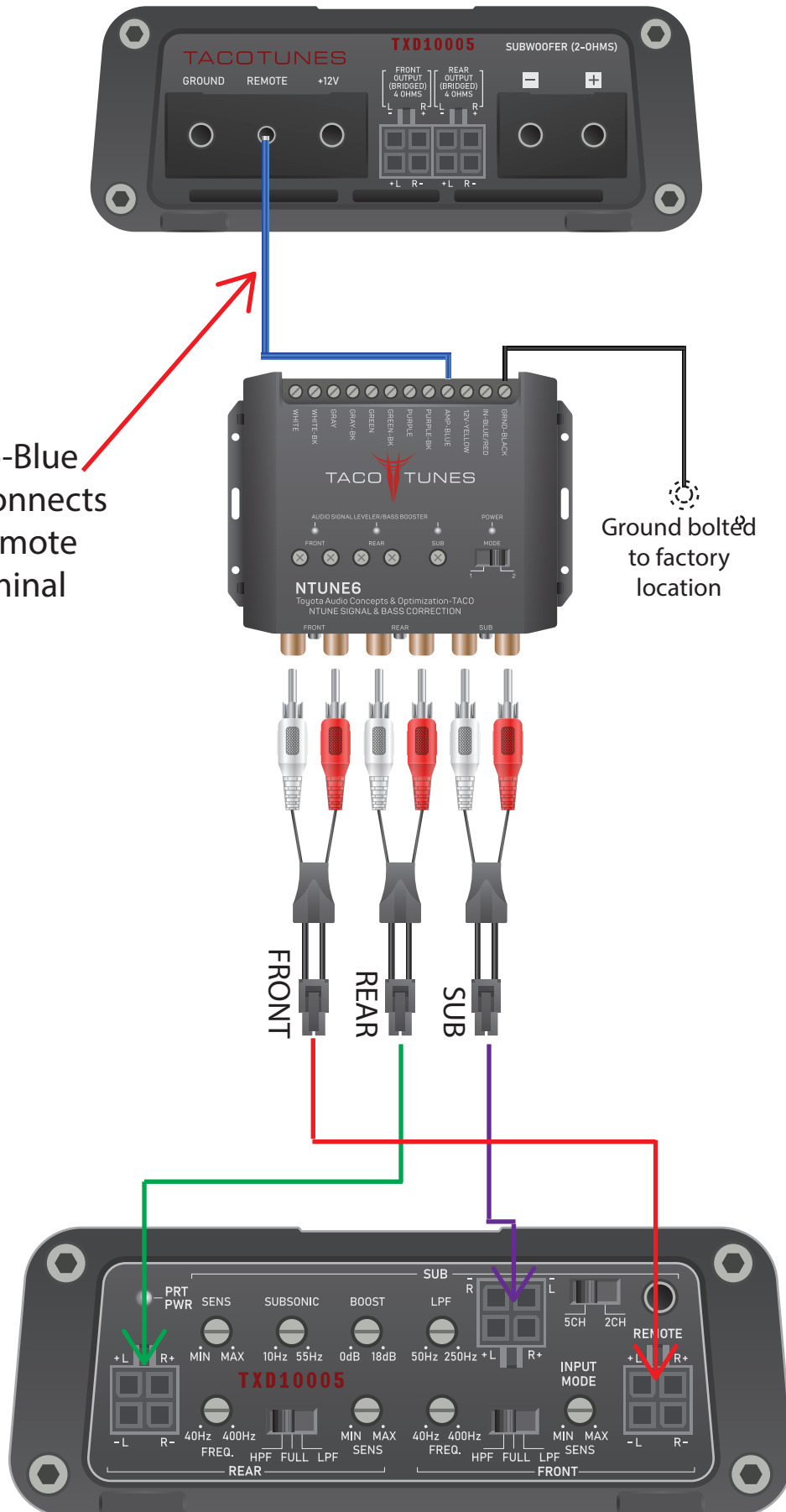
CONNECT NTUNE6 TO AMPLIFIERS

OUTPUT

Amp-Blue wire connects to remote terminal

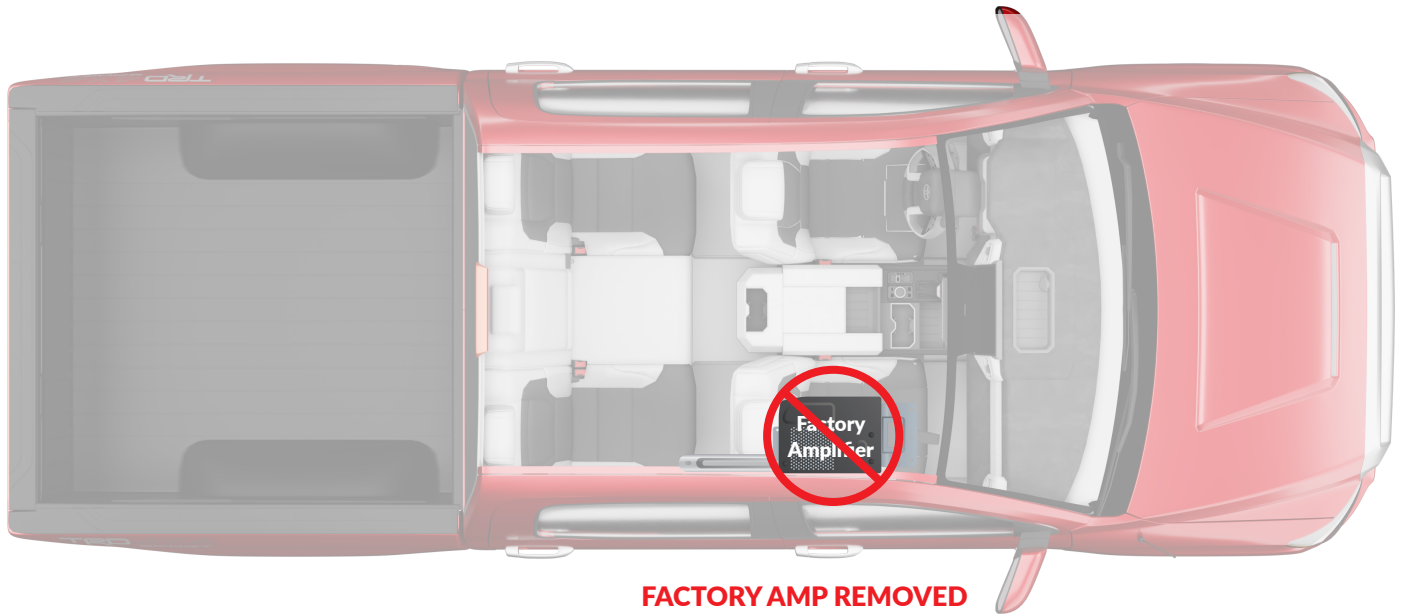
Ground bolted to factory location

INPUT

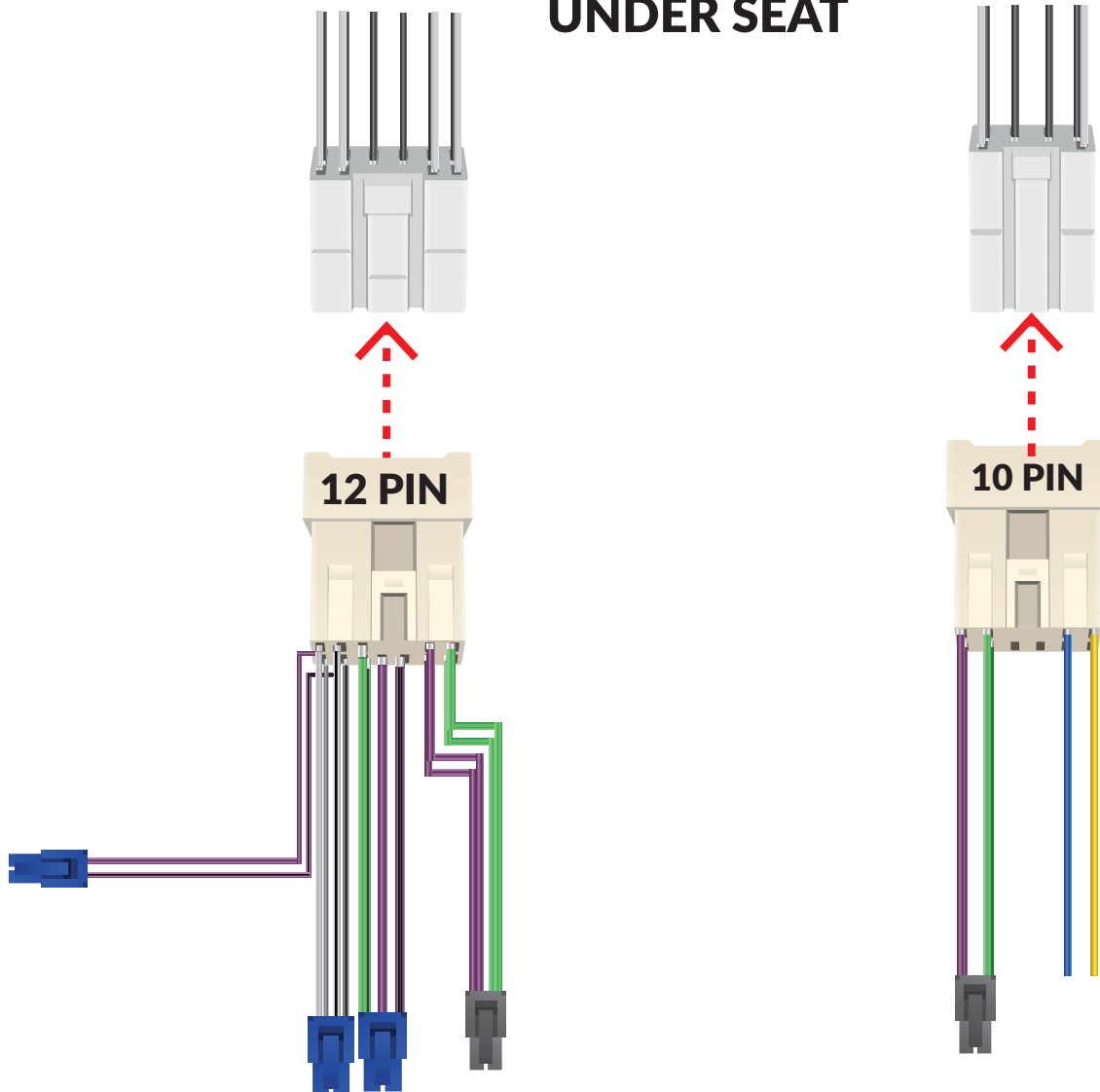


SECTION 1b -

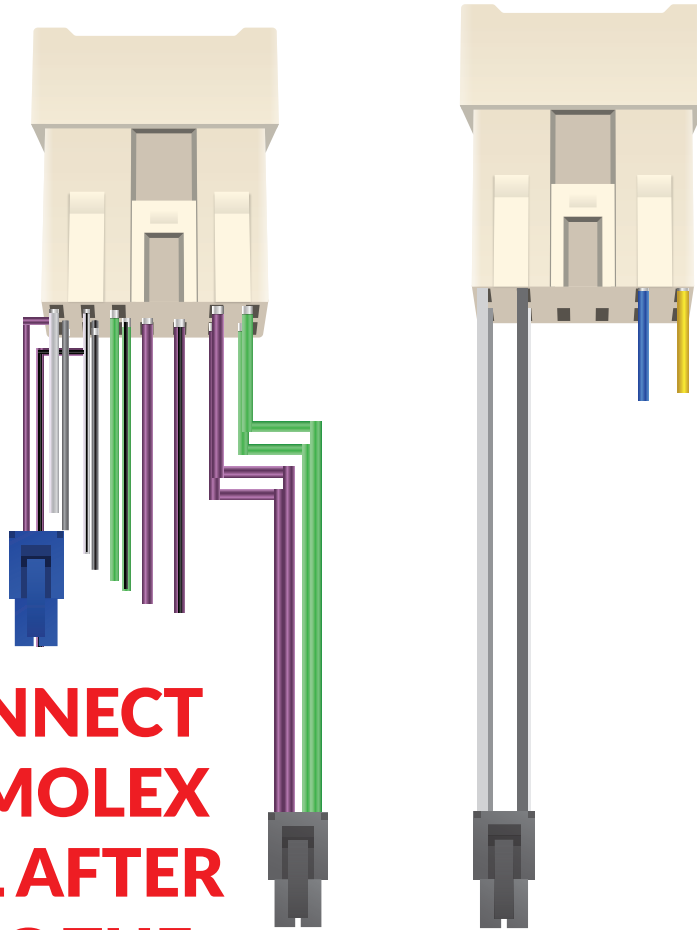
CONNECT PLUG & PLAY WIRING



CONNECT PLUG AND PLAY HARNESS 1 & 2 TO FACTORY WIRING UNDER SEAT

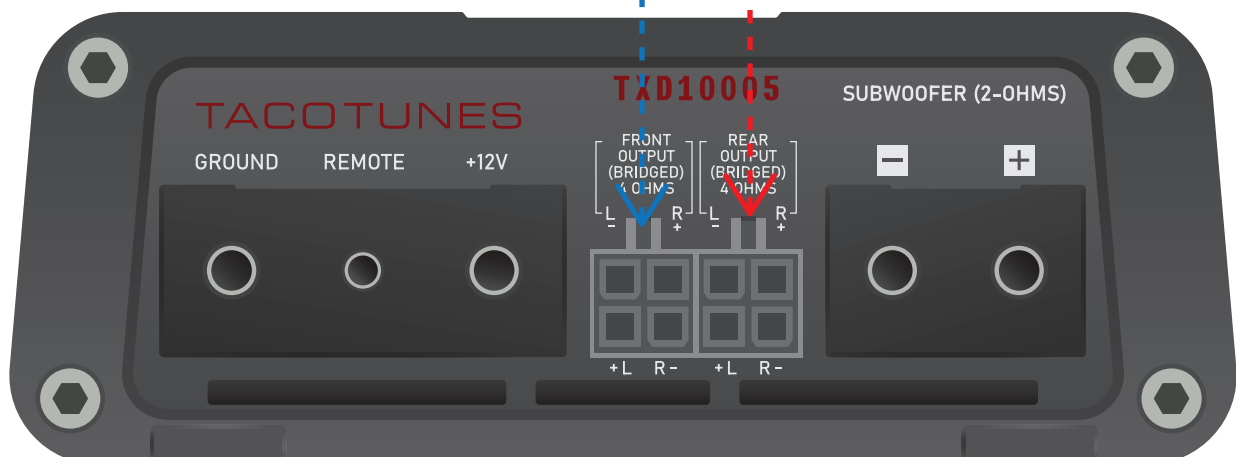


BLACK MOLEX PLUGS



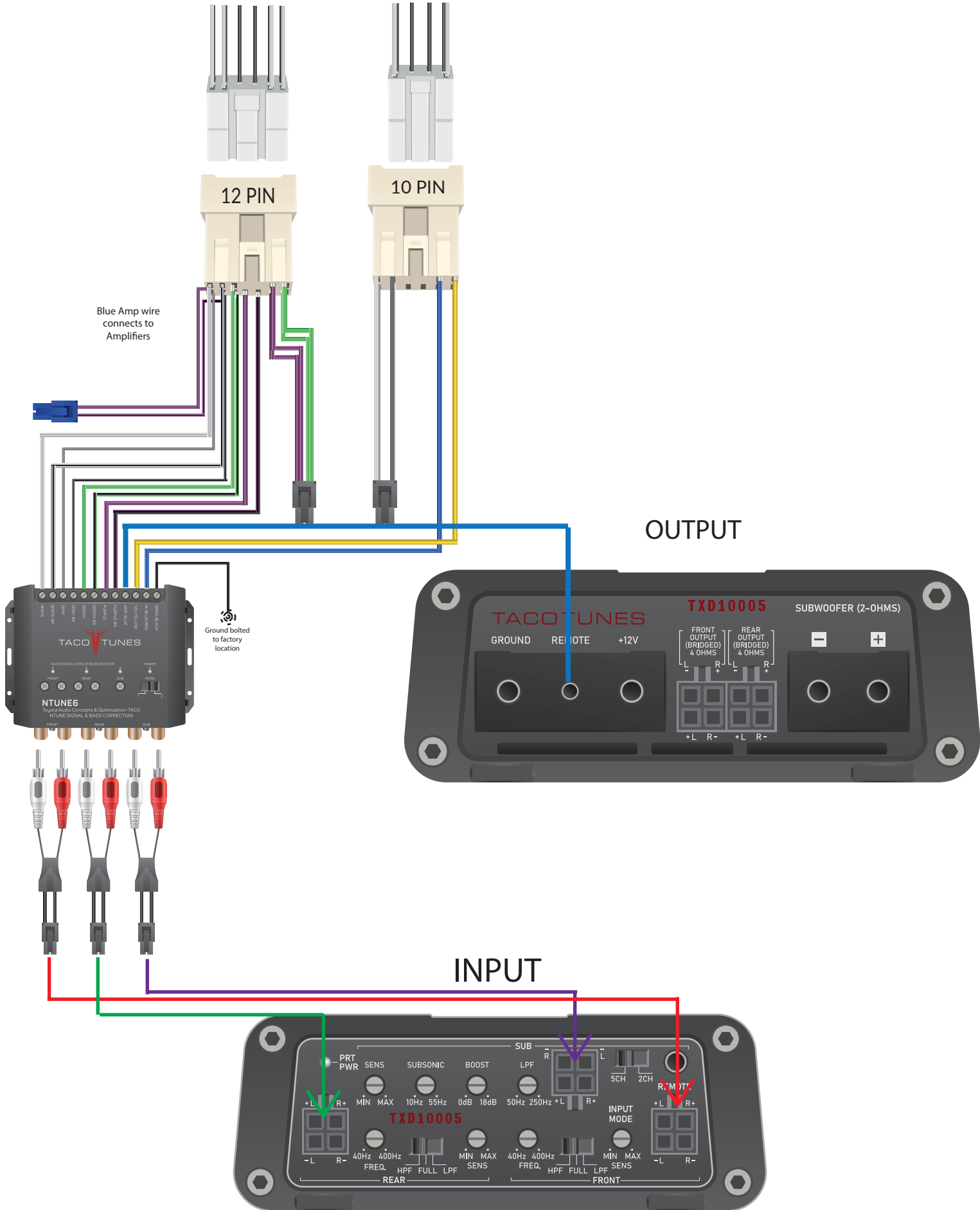
**DO NOT CONNECT
THE BLACK MOLEX
PLUGS UNTIL AFTER
COMPLETING THE
TUNING PROCESS**

OUTPUT



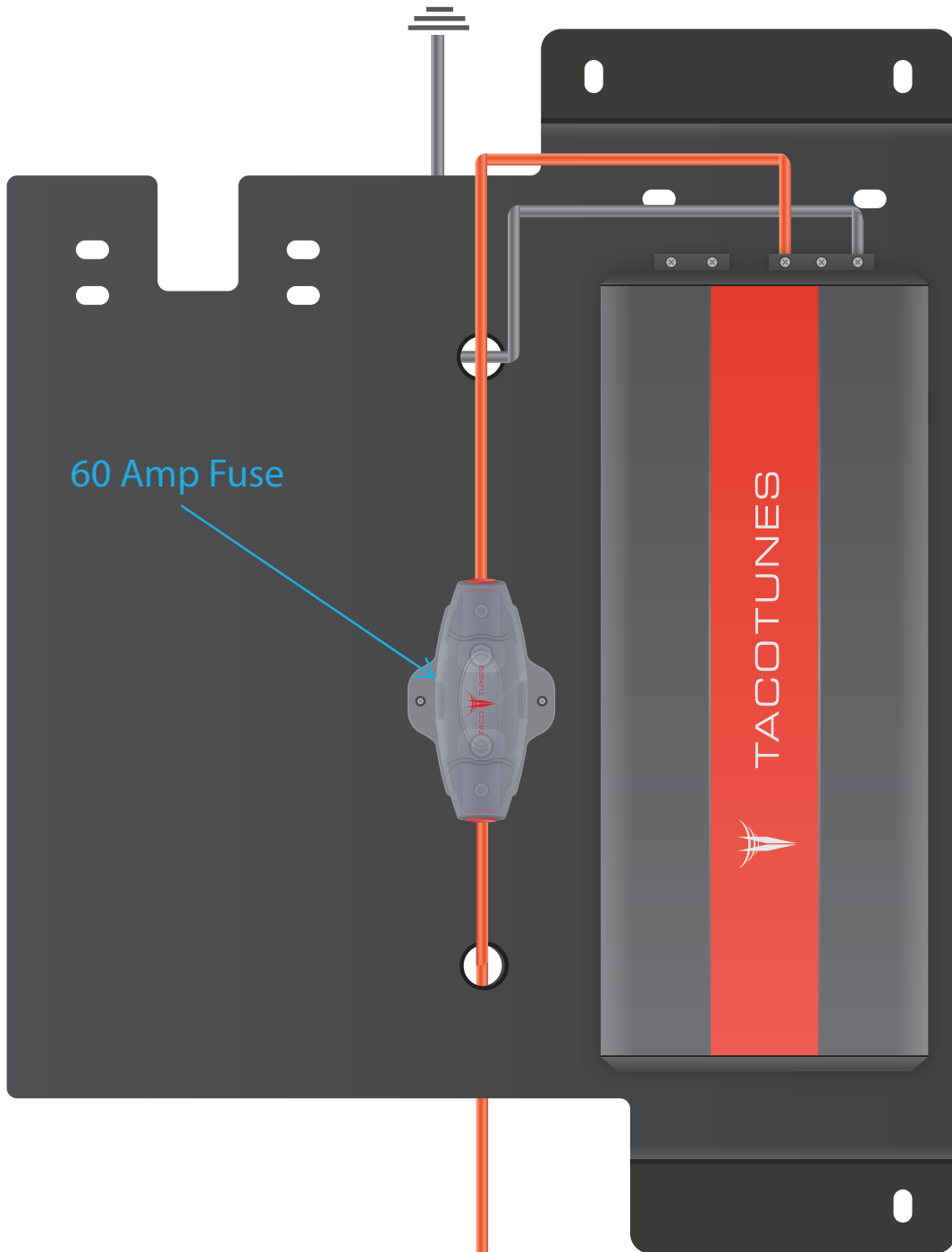
PLUG AND PLAY HARNESS CONNECTION OVERVIEW

TUNDRA FACTORY WIRING



Amp Rack Assembly

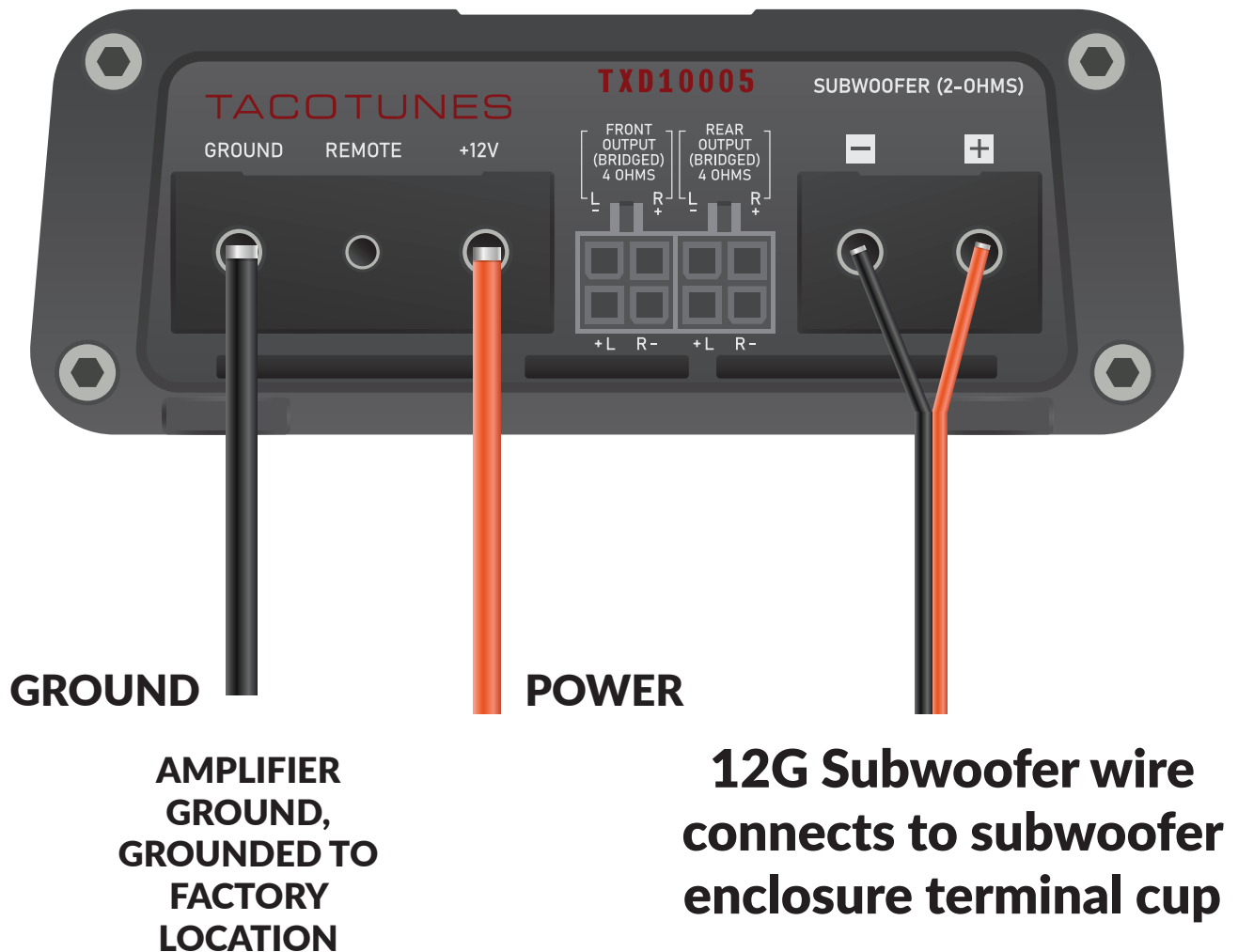
Amp Grounded to
factory location



60 Amp Fuse

Power wire
coming from
Battery

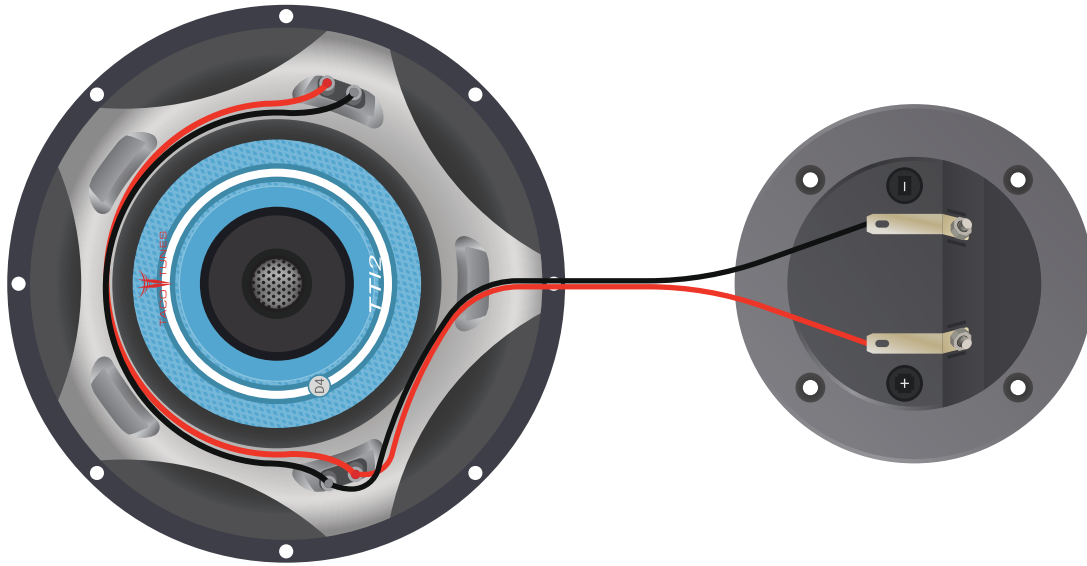
AMPLIFIER OUTPUT CONNECTION OVERVIEW



DO NOT CONNECT SUB WIRING TO TERMINAL CUP UNTIL AFTER THE TUNING PROCESS IS COMPLETED

SUBWOOFER WIRING

Single Subwoofer Wiring



Dual Subwoofer Wiring

