

2023+ Toyota Sequoia JBL Equipped
Add a Subwoofer
HARNES PACKAGE

Installation Guidelines



TacoTunes

2023+ JBL Equipped Sequoia

Factory Integration Complete Audio Upgrade
Harness system

Installation Guidelines



THIS PRODUCT IS NOT COMPATIBLE WITH ALL AUDIO UPGRADE COMPONENTS.

YOU ARE RESPONSIBLE FOR CHECKING COMPATIBITLY WITH OUR TEAM PRIOR TO PURCHASE.

***IF YOU ARE HAVING THIS PRODUCT INSTALLED BY AN AUDIO SHOP, ALL OF THE FOLLOWING TERMS APPLY.**

YOU ARE RESPONSIBLE FOR PROVIDING YOUR INSTALLER WITH THIS DOCUMENT, ANY INSTALLATION VIDEOS, & OUR CONTACT INFORMATION*

Violation of the following terms will void the product's warranty:

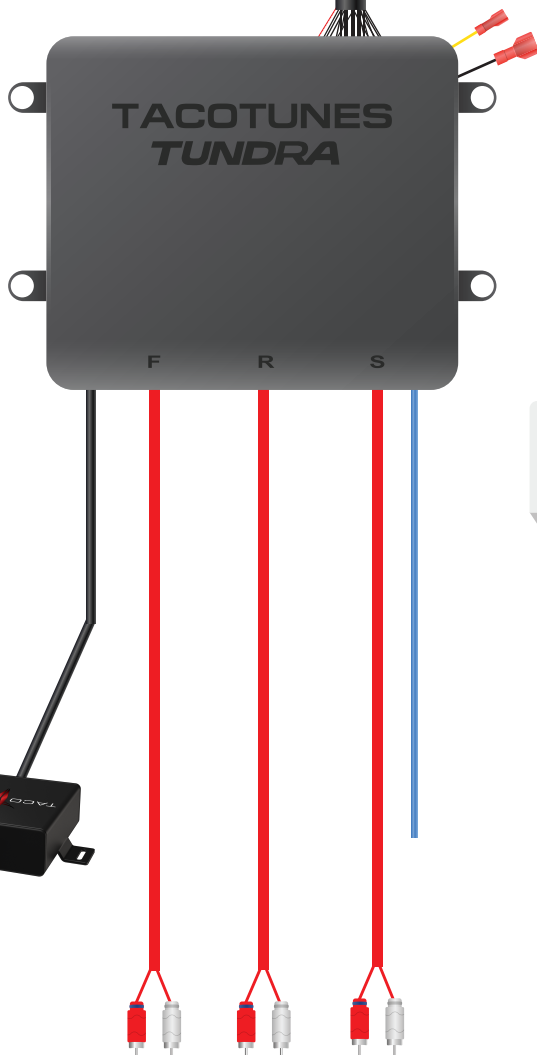
- **Failure to follow the guidelines provided in this document**
- **Failure to contact the TacoTunes team in the event of a defective component**
- **Failure to contact TacoTunes team in the event of "confusion" when installing this product, resulting in damage to the product & rendering a component defective**
- **Altering this product in any way shape or form that is not provided in this document**

DUAL HARNESS FACTORY INTEGRATION SYSTEM



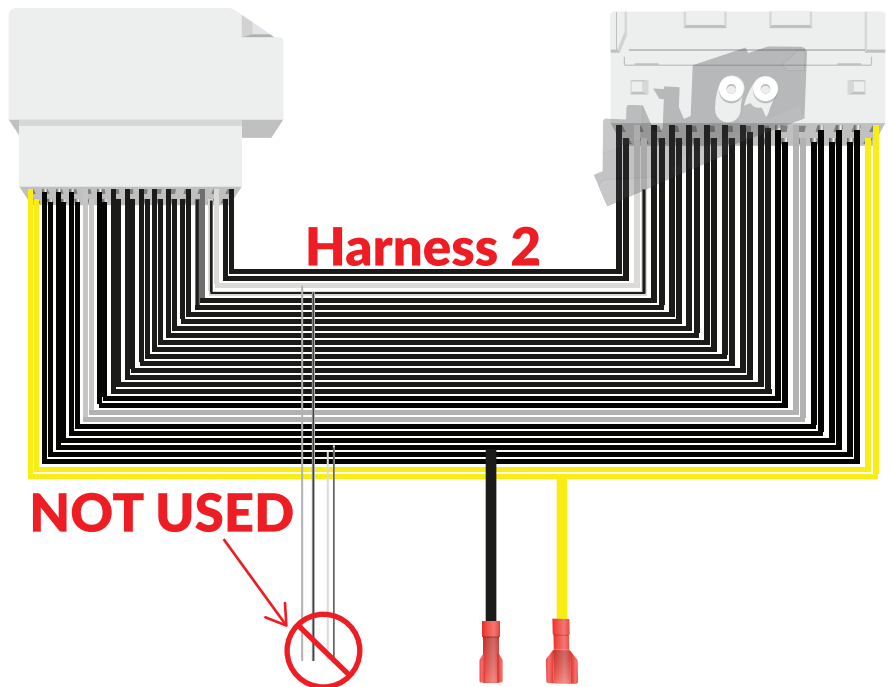
Harness 1 Components:

- 24 Pin plug & play harness
- J.A.R.V.I.S
- 12 Foot RCA Cables
- Front & Rear RCA Cables capped for seamless future speaker upgrades
- Quick Disconnect 12v Constant
- Quick disconnect Ground
- 15ft blue Amp remote turn on wire
- Bass Knob

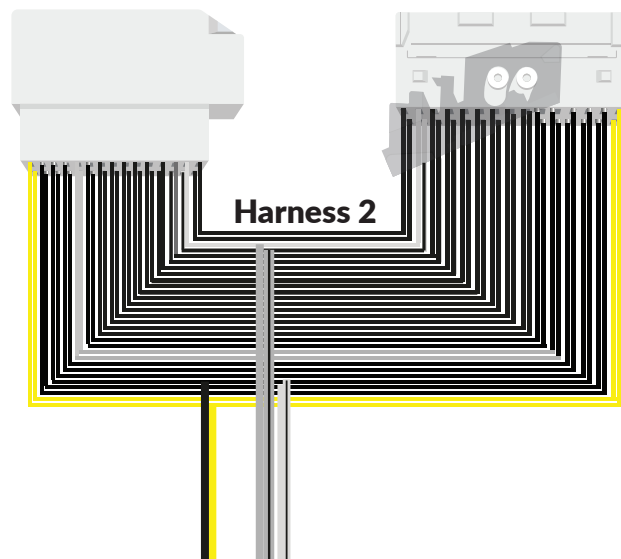
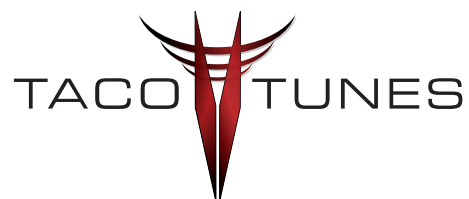
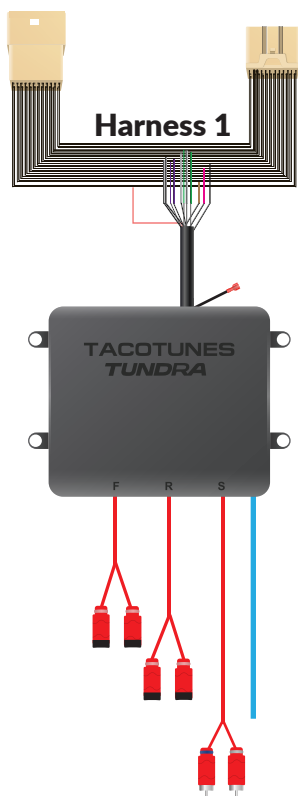


Harness 2 Components:

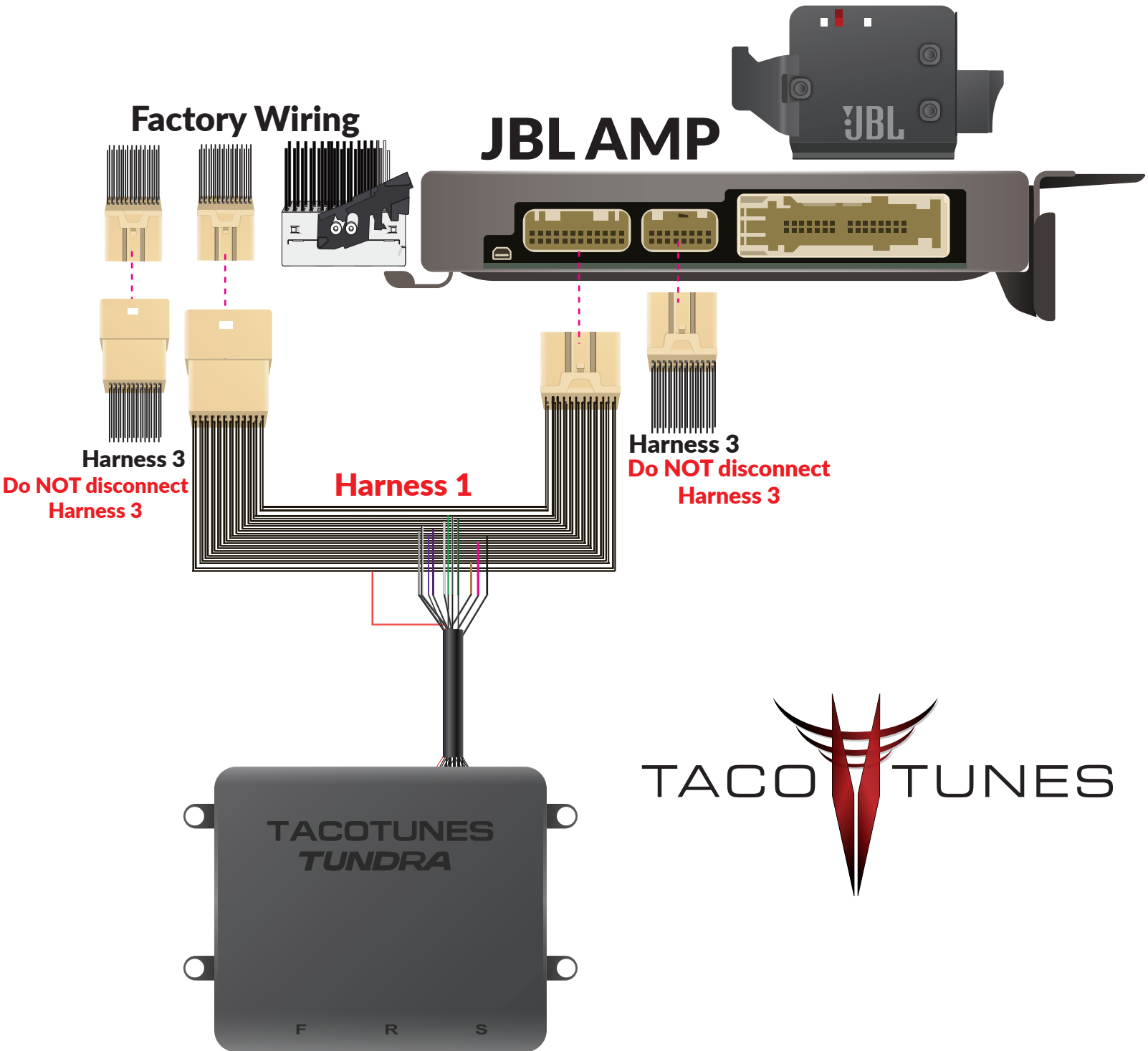
- 30 pin Plug and play Harness
- Quick Disconnect 12v Constant wire
- Quick disconnect Ground wire



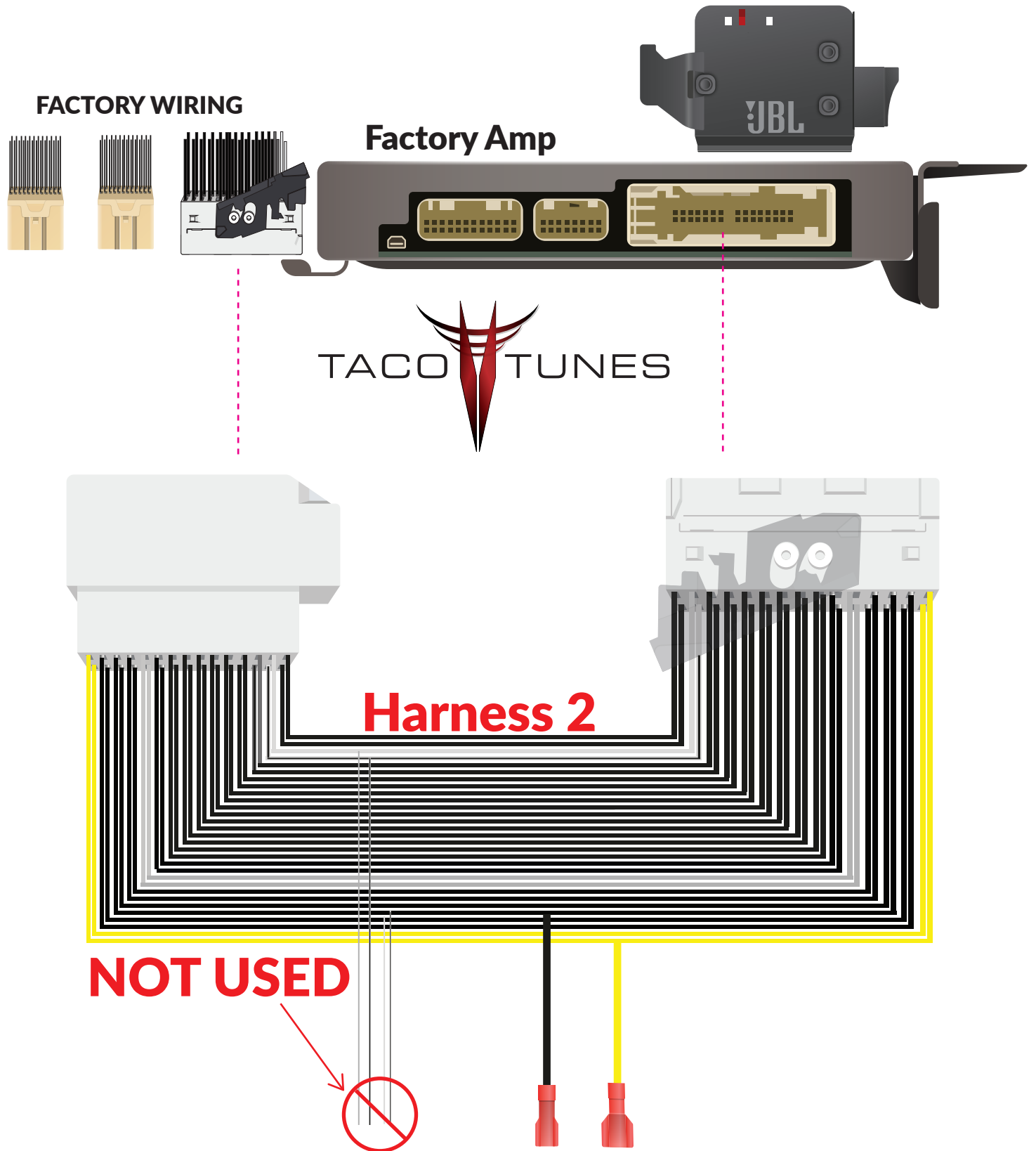
Connect Harness 1 & 2 to Factory Wiring & Amplifier



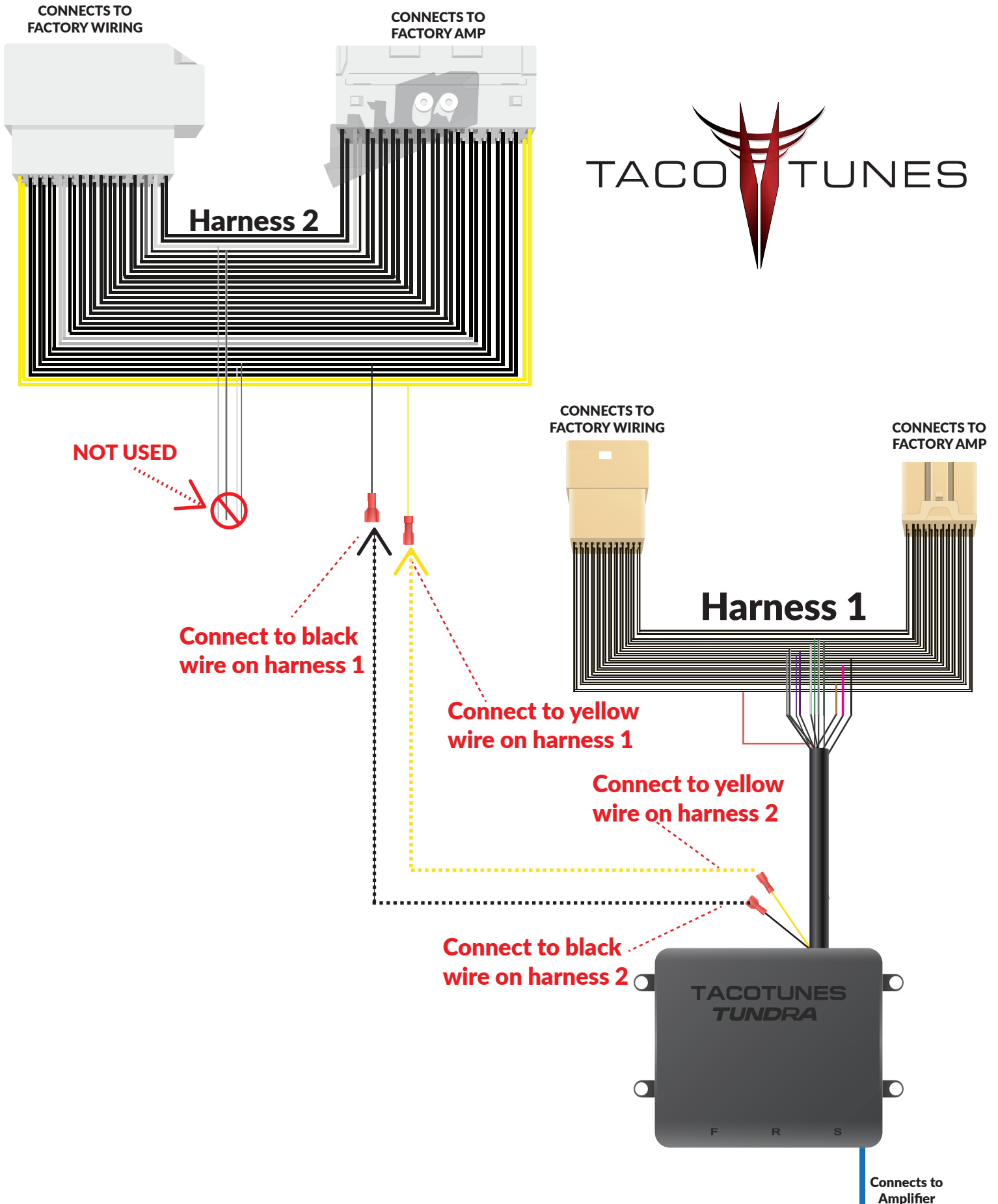
Connect Harness 1 to Factory Wiring & Factory Amplifier



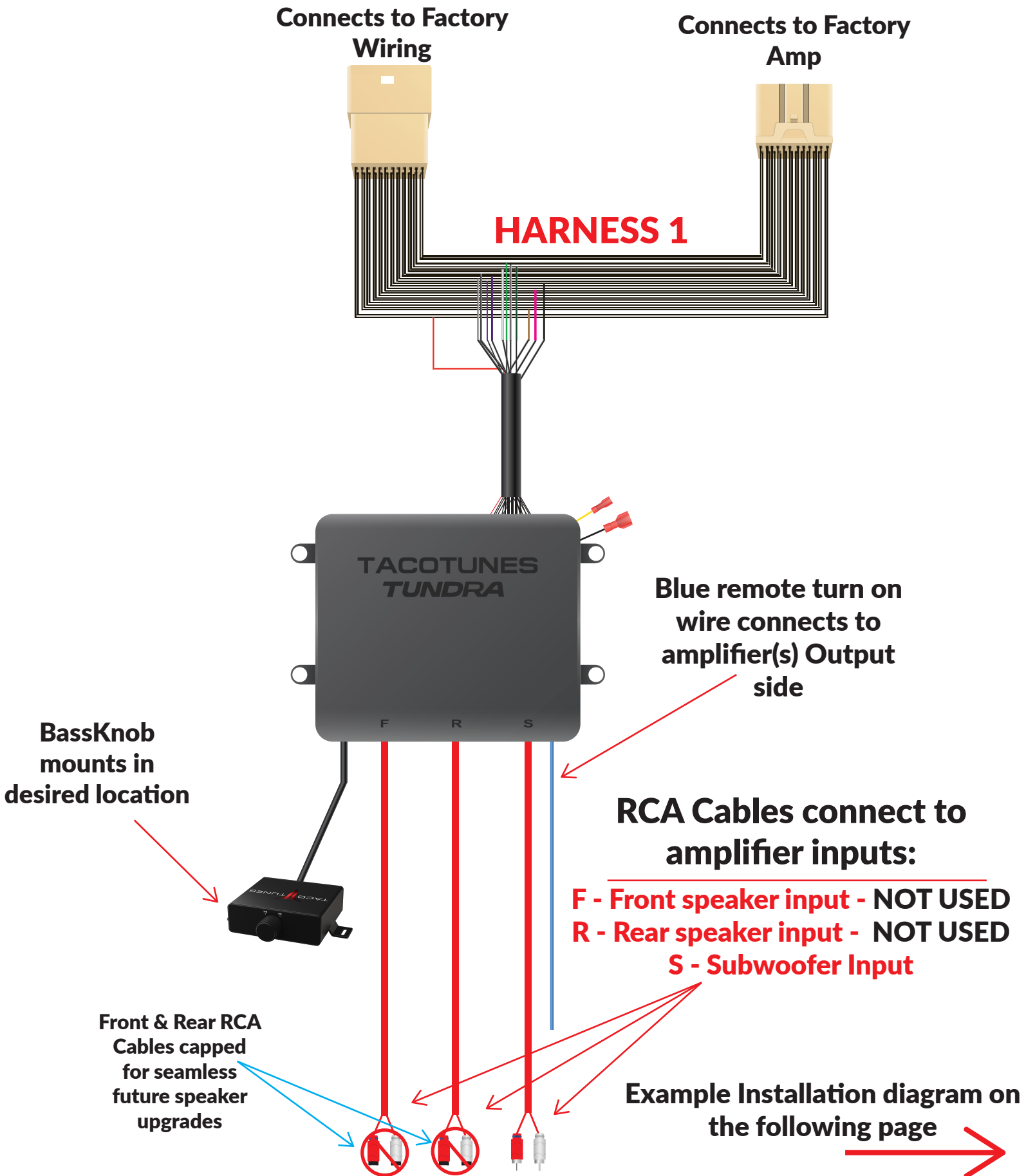
Connect Harness 2 To Factory Wiring & Factory Amplifier



Harness 1 & 2 Quick Disconnects



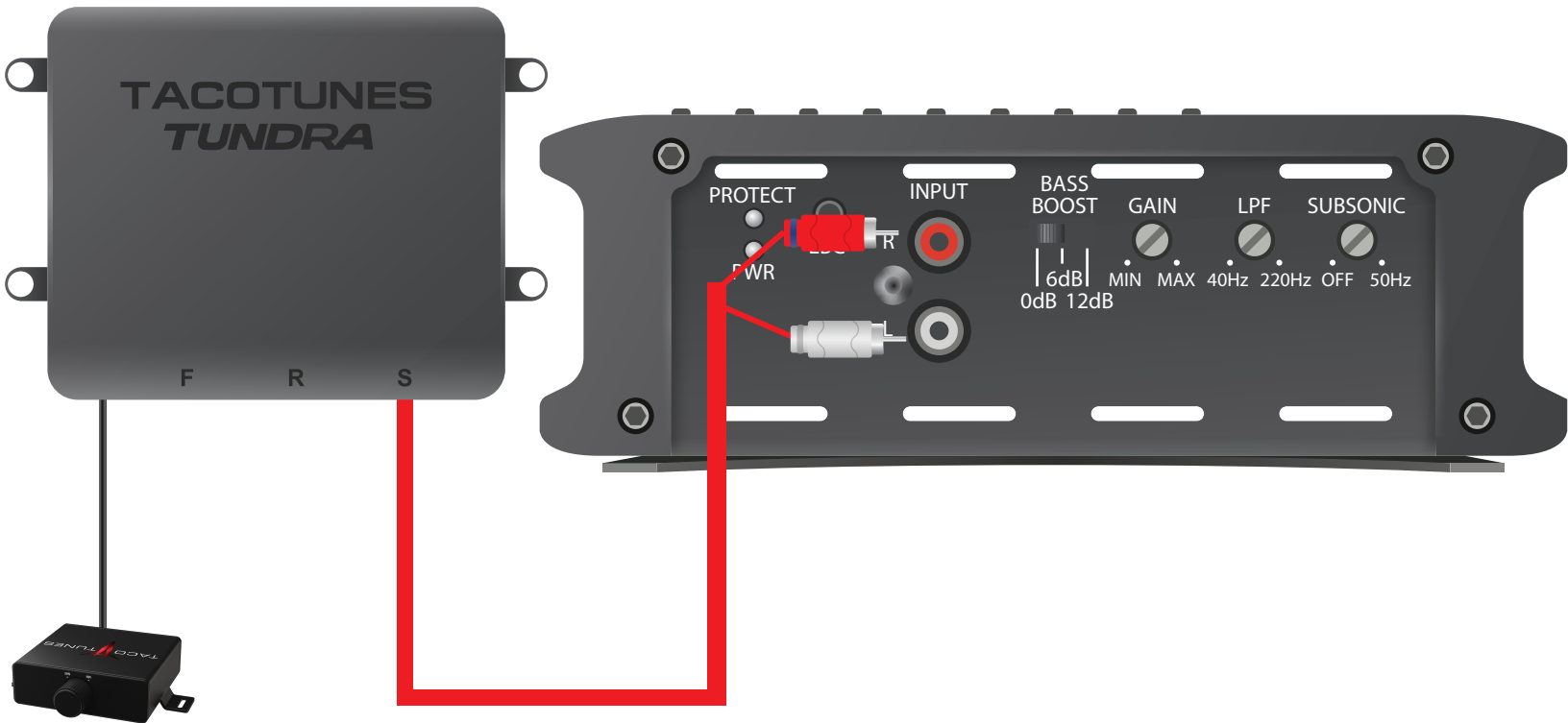
Harness 1 Connections



AMPLIFIER CONNECTIONS

Example Installation

INPUT SIDE - Subwoofer Amplifier



OUTPUT SIDE - Speaker Amplifier

