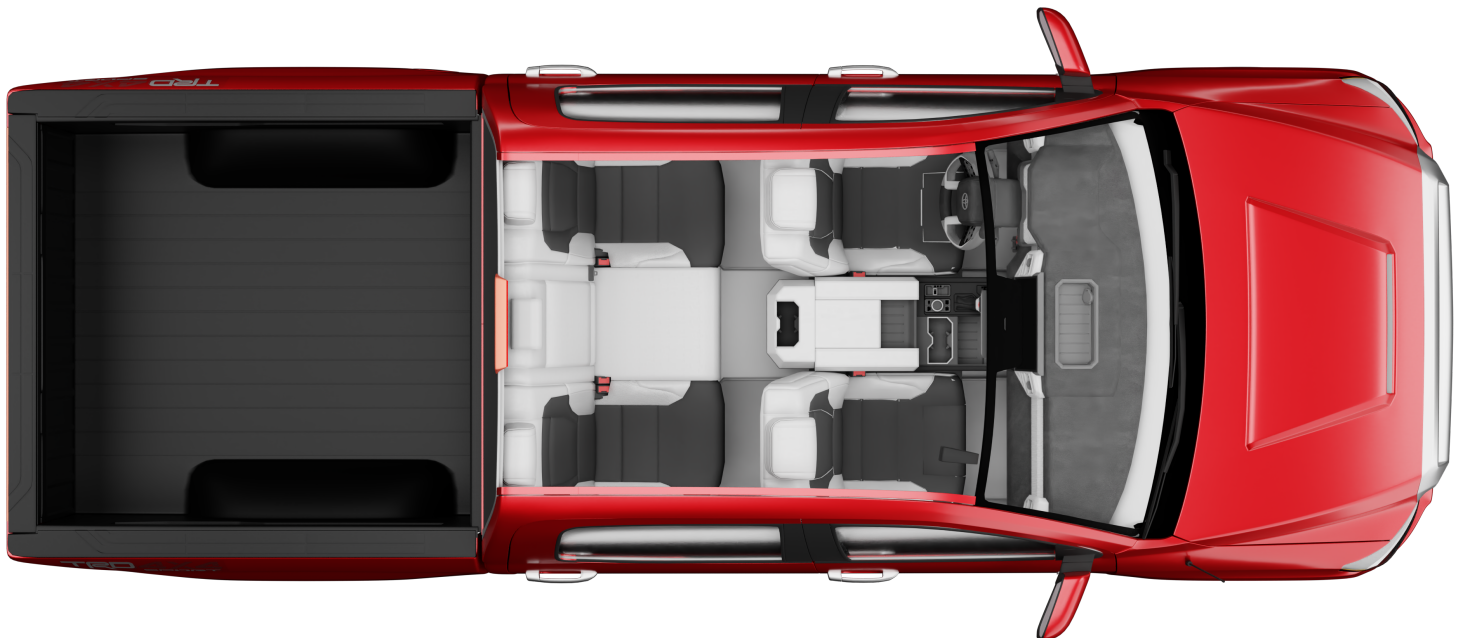


2007-2013 Toyota Tundra Audio Upgrade



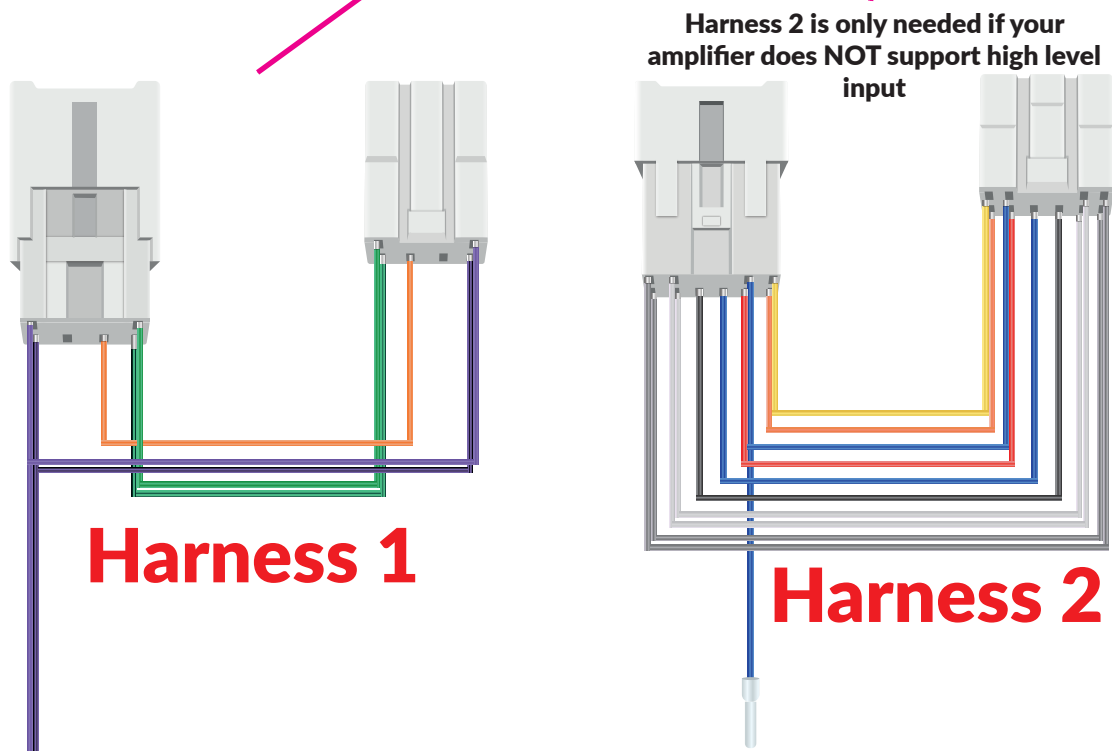
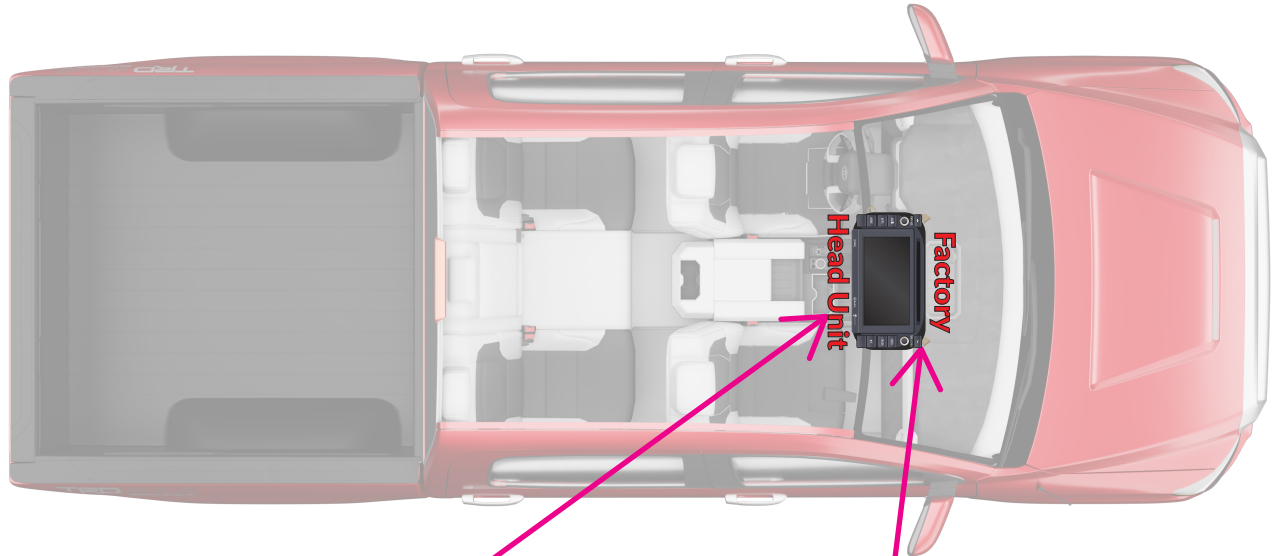
How to Add a Subwoofer



SECTION 1 -

Plug and Play Harness Integration

NO Factory Amp Under Seat

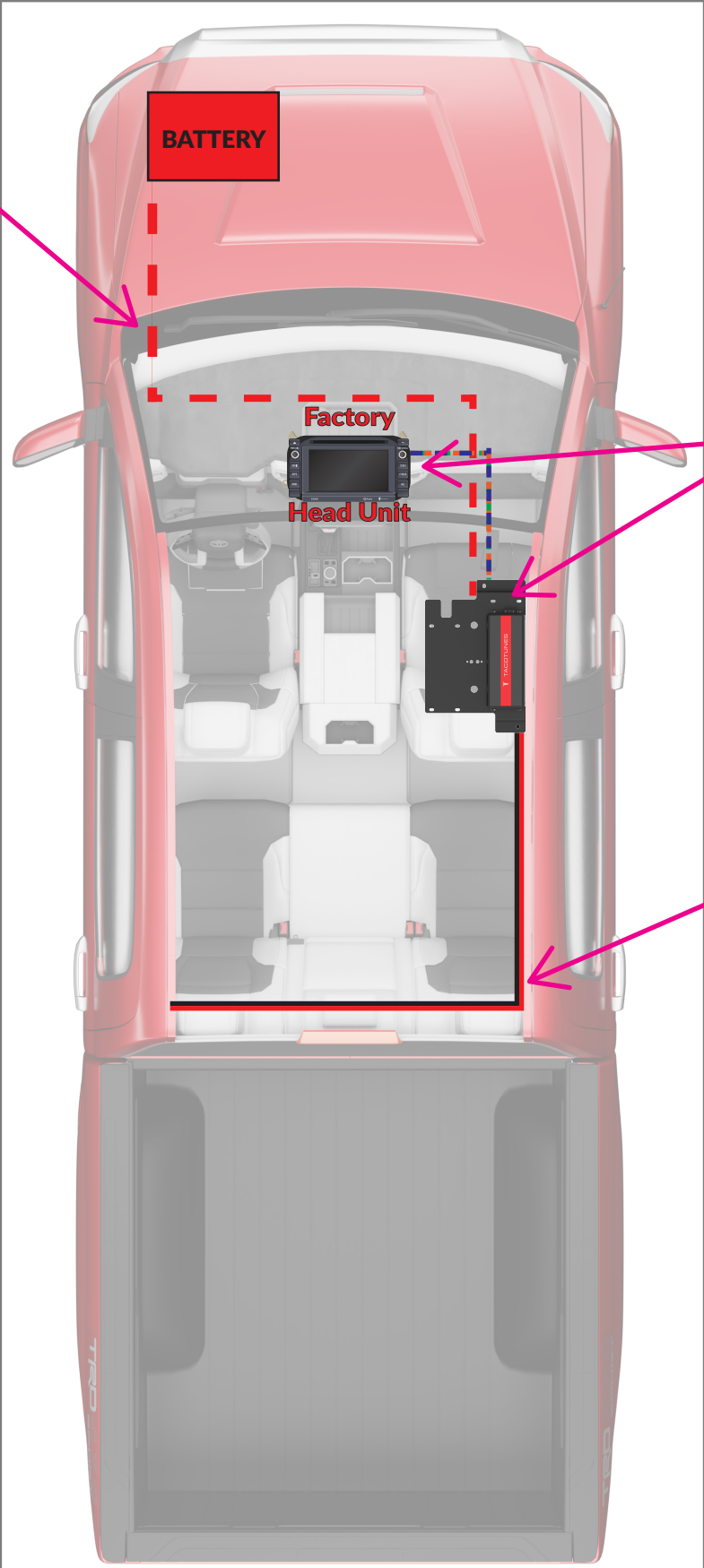


Harness 1 & 2 plug directly into your factory head unit

Install these harnesses according steps on the following pages

PLUG & PLAY INTEGRATION OVERVIEW

4G Power Wire runs from battery to TXD Amplifiers



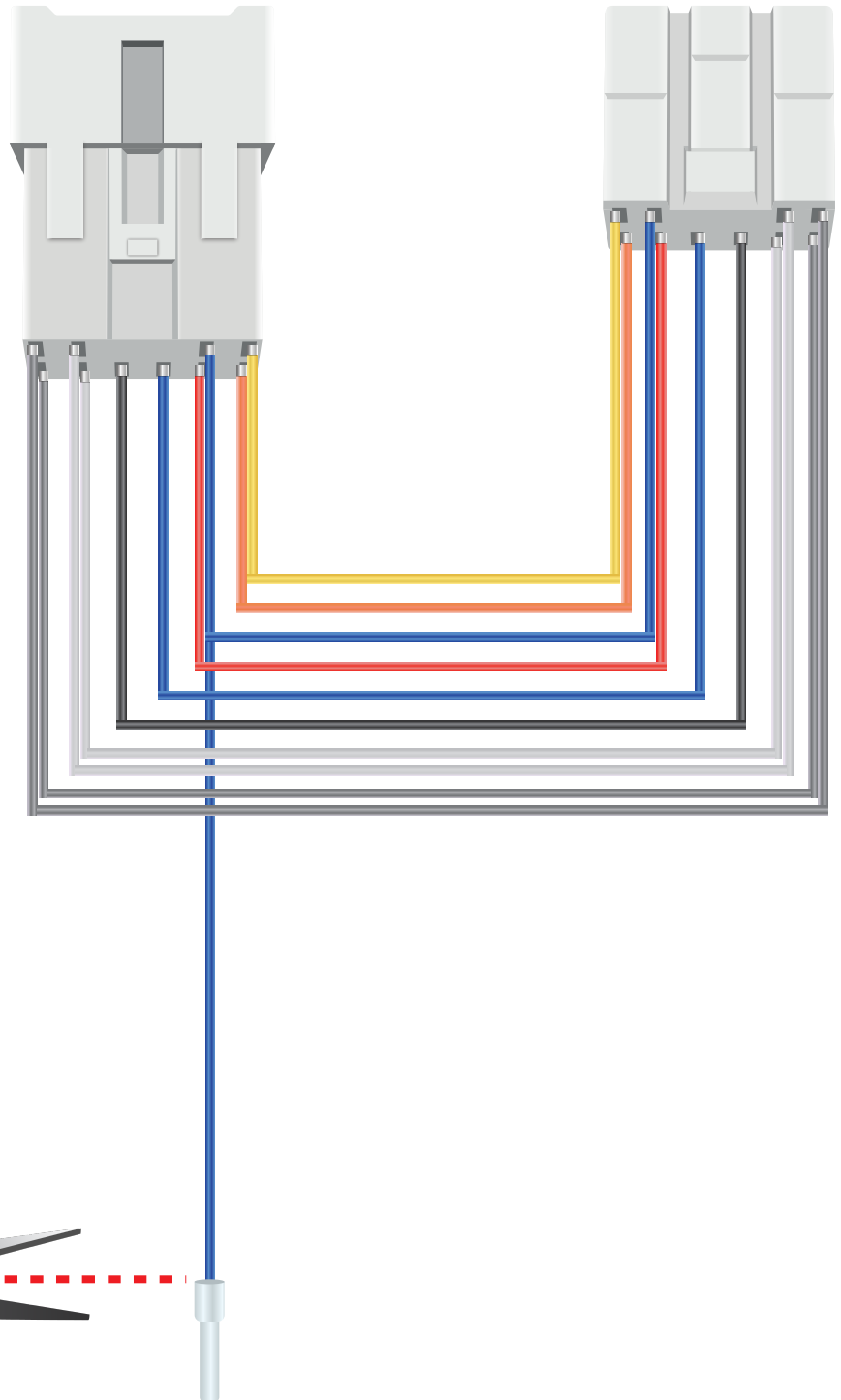
Connect to factory Head unit & to Amplifiers:

Plug & play harness 1
Plug & play harness 2

12 Gauge subwoofer wire ran from TXD1000.1 to behind rear seat

Remove Crimp Cap On Harness 2

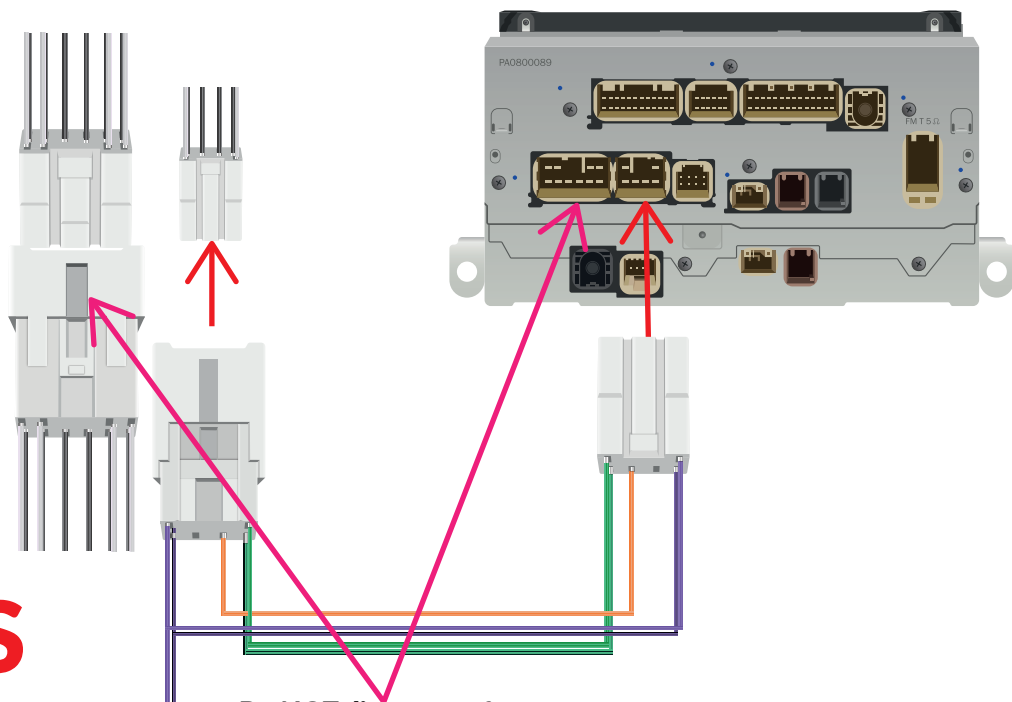
**This harness is only
needed if your
amplifier does NOT
support high level
input**



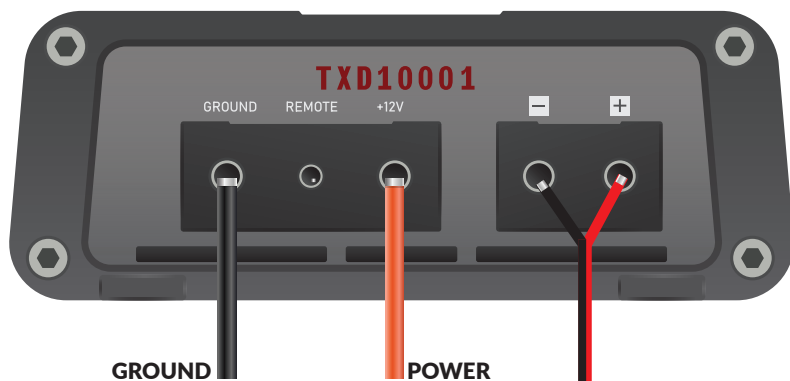
2007-2013 Tundra

Add a Subwoofer Complete Diagram

TXD SERIES AMPLIFIER VIA RCA ADAPTER



Bass Knob
Mounts in desired
location

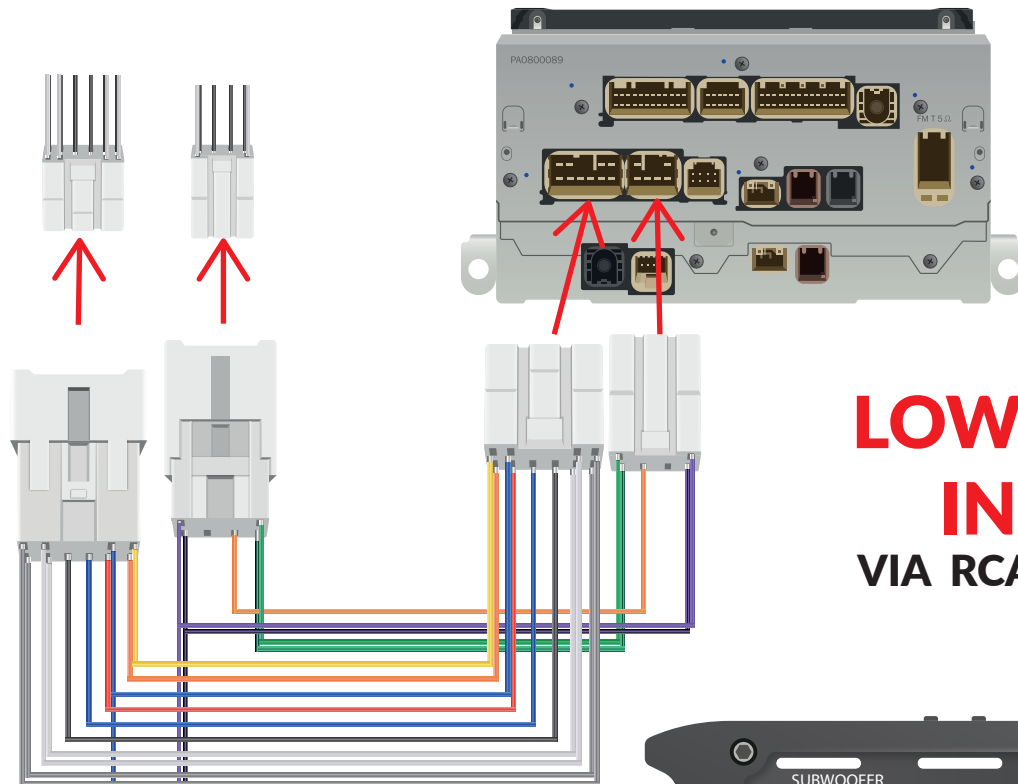


12 Gauge Subwoofer wire
connects to subwoofer
terminal cup

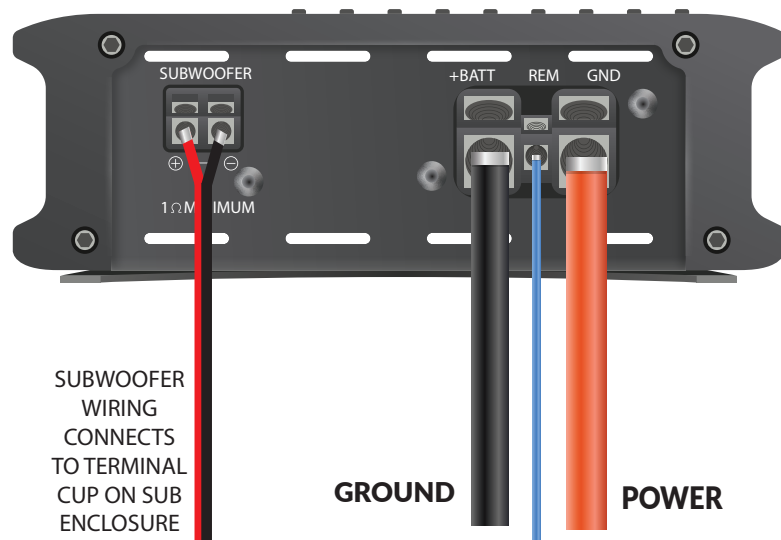


2007-2013 Tundra

Add a Subwoofer Complete Diagram



**LOW LEVEL
INPUT
VIA RCA ADAPTER**

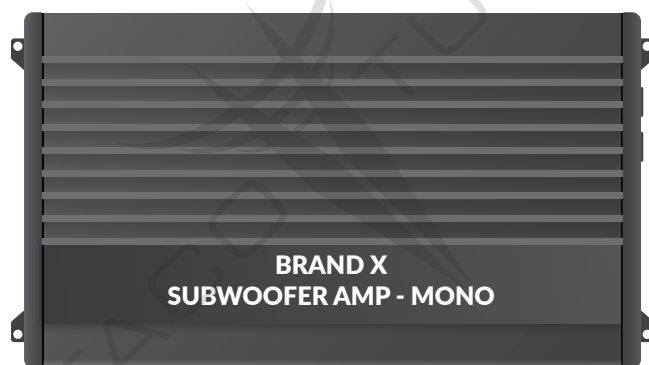


SUBWOOFER
WIRING
CONNECTS
TO TERMINAL
CUP ON SUB
ENCLOSURE

GROUND

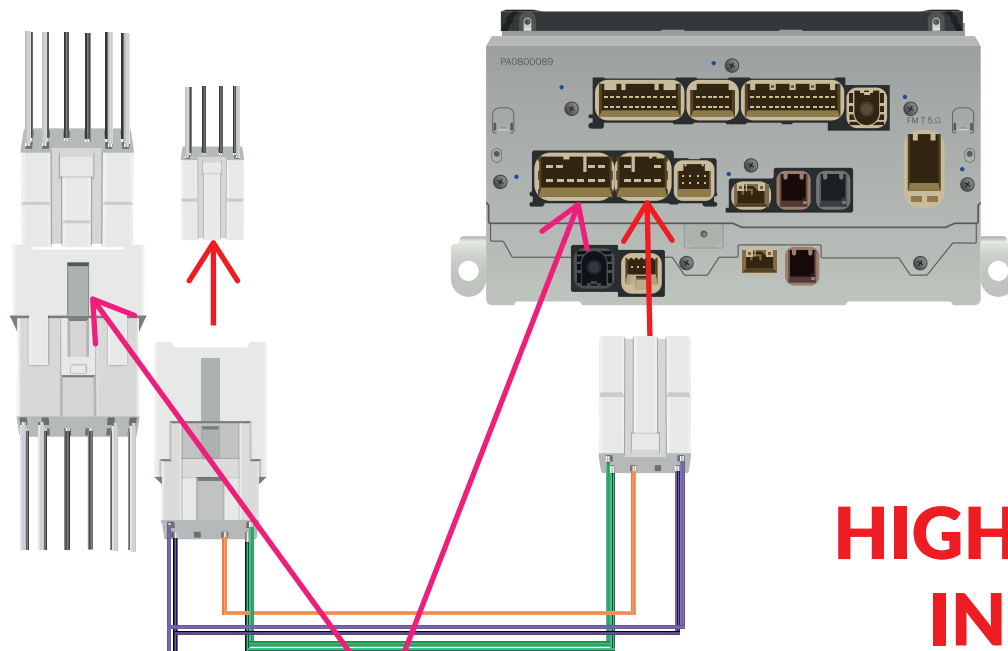
POWER

Blue remote turn on wire connects to amplifier



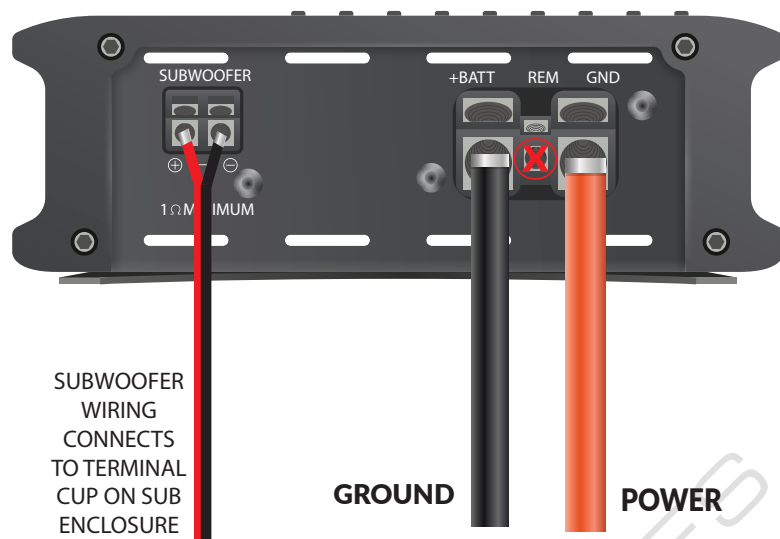
2007-2013 Tundra

Add a Subwoofer Complete Diagram



Do NOT disconnect factory 10 pin harness if your amplifier supports high level input

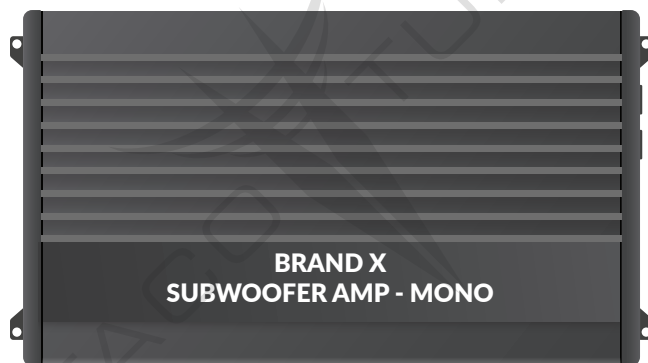
HIGH LEVEL INPUT VIA RCA ADAPTER



SUBWOOFER WIRING CONNECTS TO TERMINAL CUP ON SUB ENCLOSURE

GROUND

POWER



BRAND X
SUBWOOFER AMP - MONO