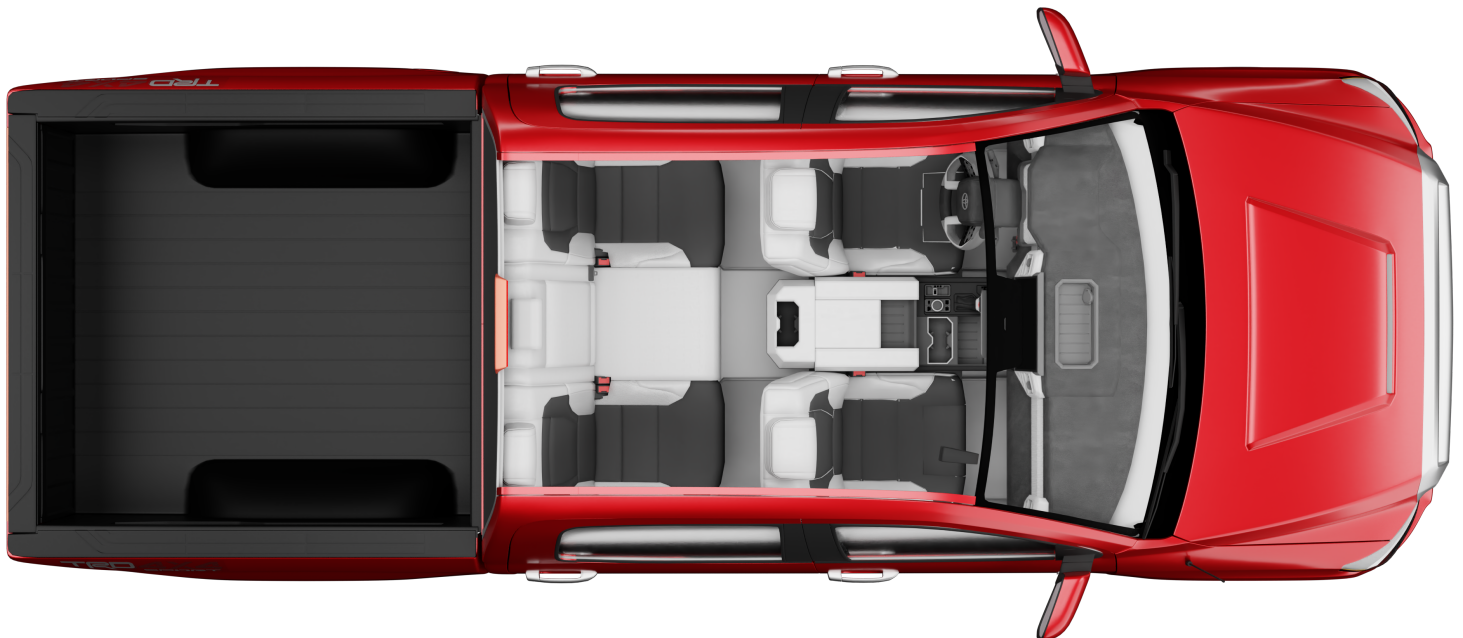


# 2014-2021 Toyota Tundra Audio Upgrade

## Complete Installation Manual

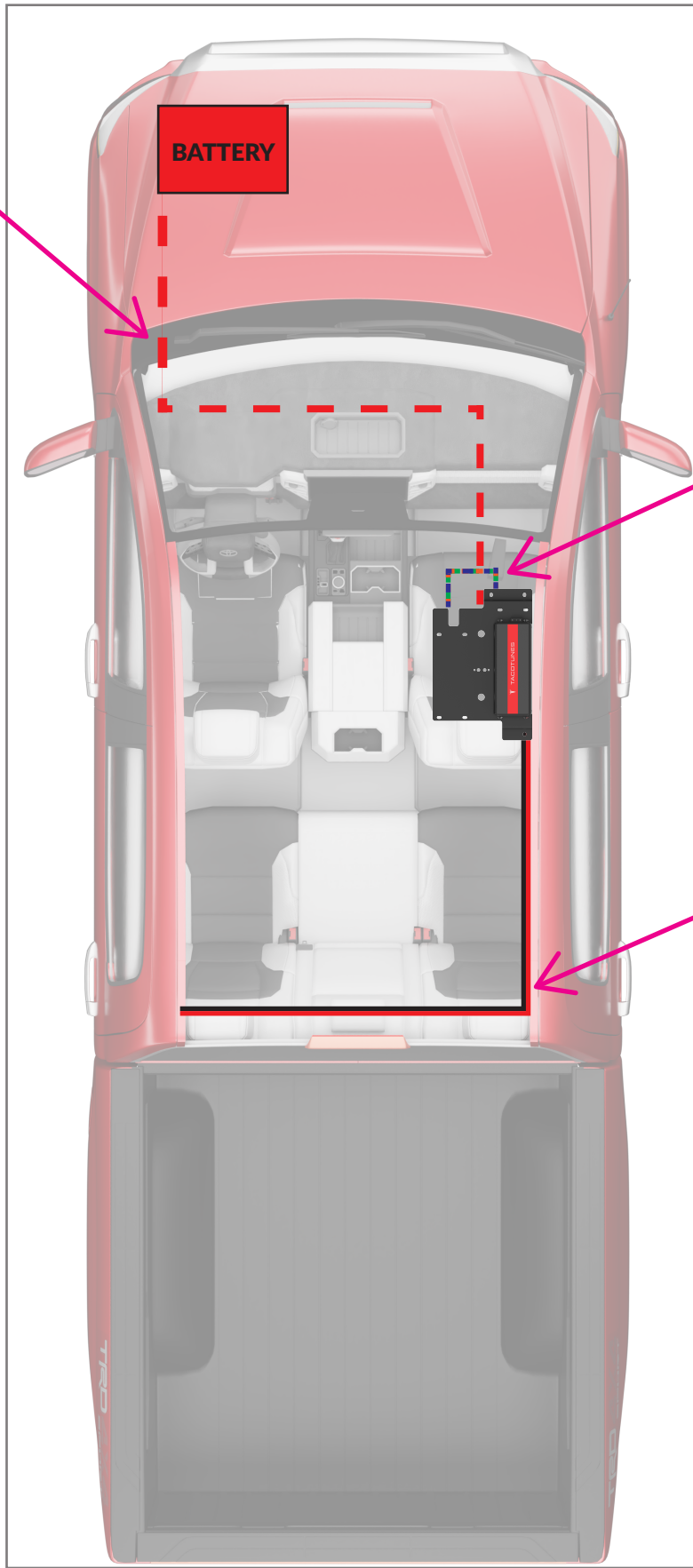


## SYSTEM 1A



# PLUG & PLAY INTEGRATION OVERVIEW

**8G Power Wire**  
runs from  
battery to TXD  
Amplifiers



**Connect to factory**  
wiring under seat, &  
to TXD Amplifiers:

**Plug & play harness 1**  
**Plug & play harness 2**

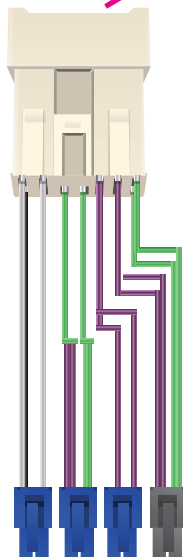
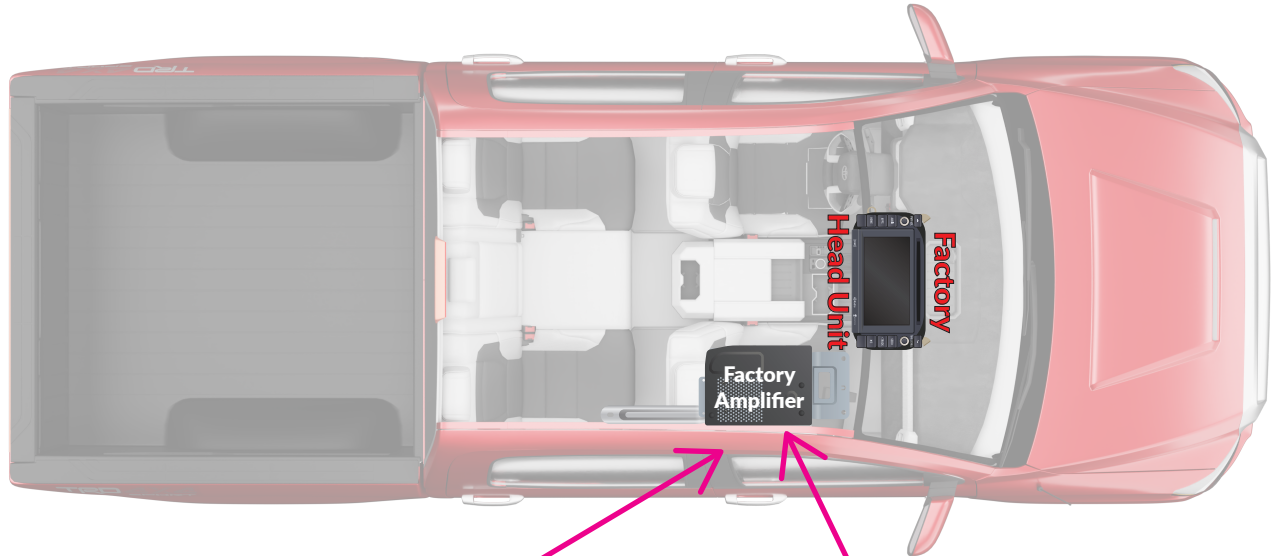
**12 Gauge**  
subwoofer wire  
ran from  
TXD1000.5 to  
behind rear seat



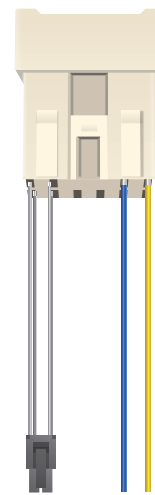
SECTION 1 -

# Plug and Play Harness Integration

## Factory Amp Under Seat



**Harness 1**



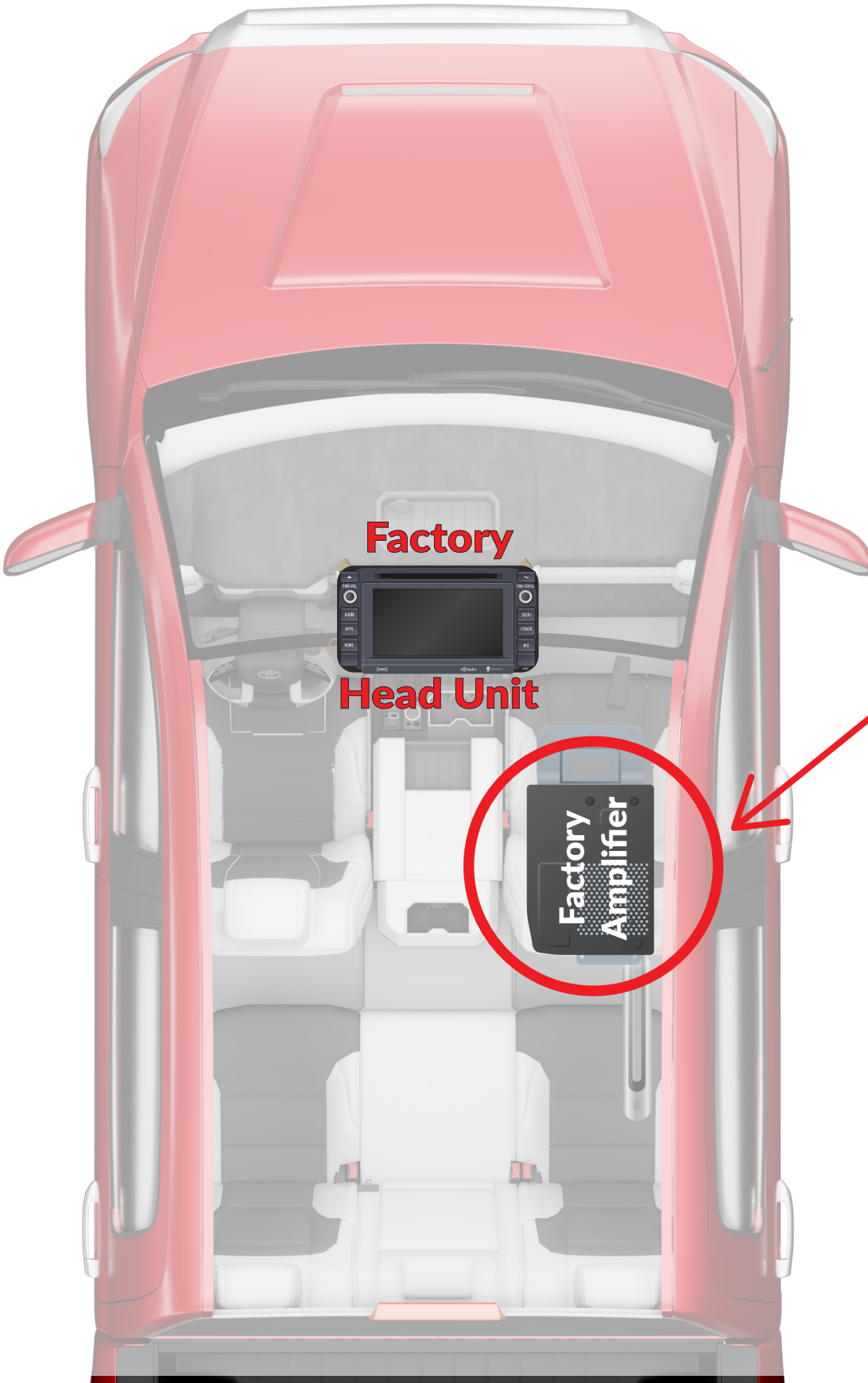
**Harness 2**

**Harness 1 & 2 plug directly into your factory wiring under the passenger seat.**

**Install these harnesses according steps on the following pages**

SECTION 1a -

# REMOVE FACTORY AMP



**Factory**

**Head Unit**

**Factory  
Amplifier**

**Remove  
Factory  
Amplifier**



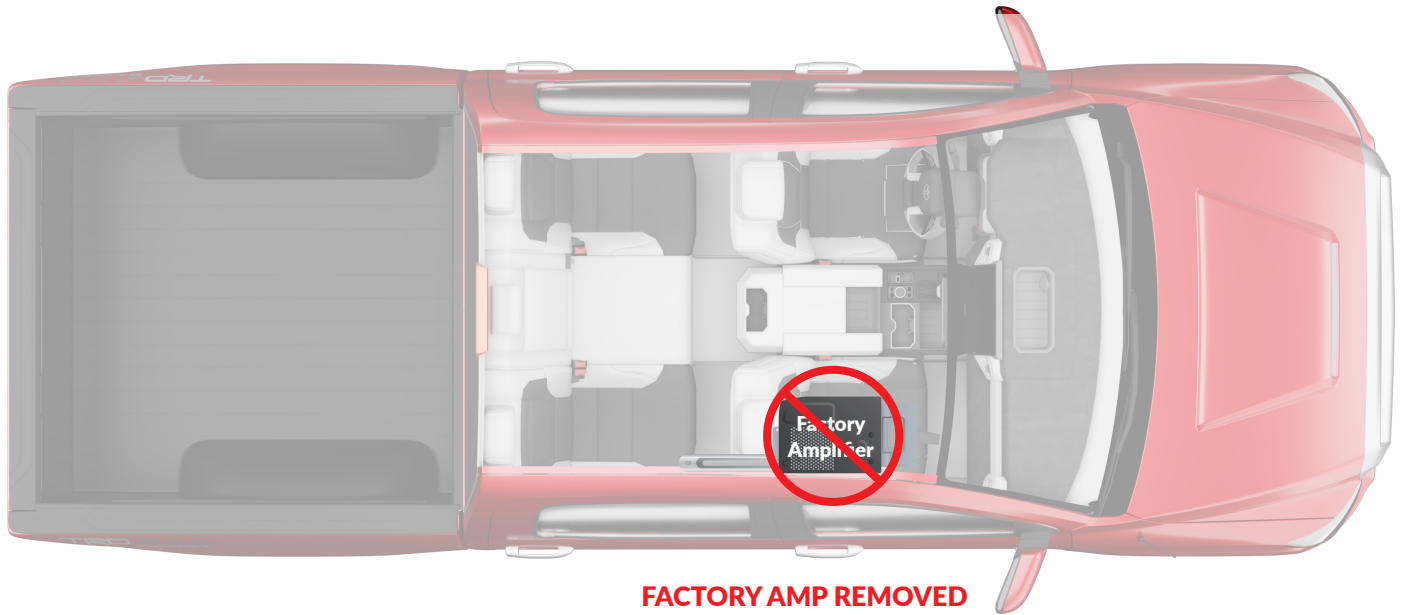
**THE FOLLOWING  
CONNECTIONS ARE FOR  
2014-2019 TOYOTA  
TUNDRAS**

2020-2021 Connections are  
pages 11-19



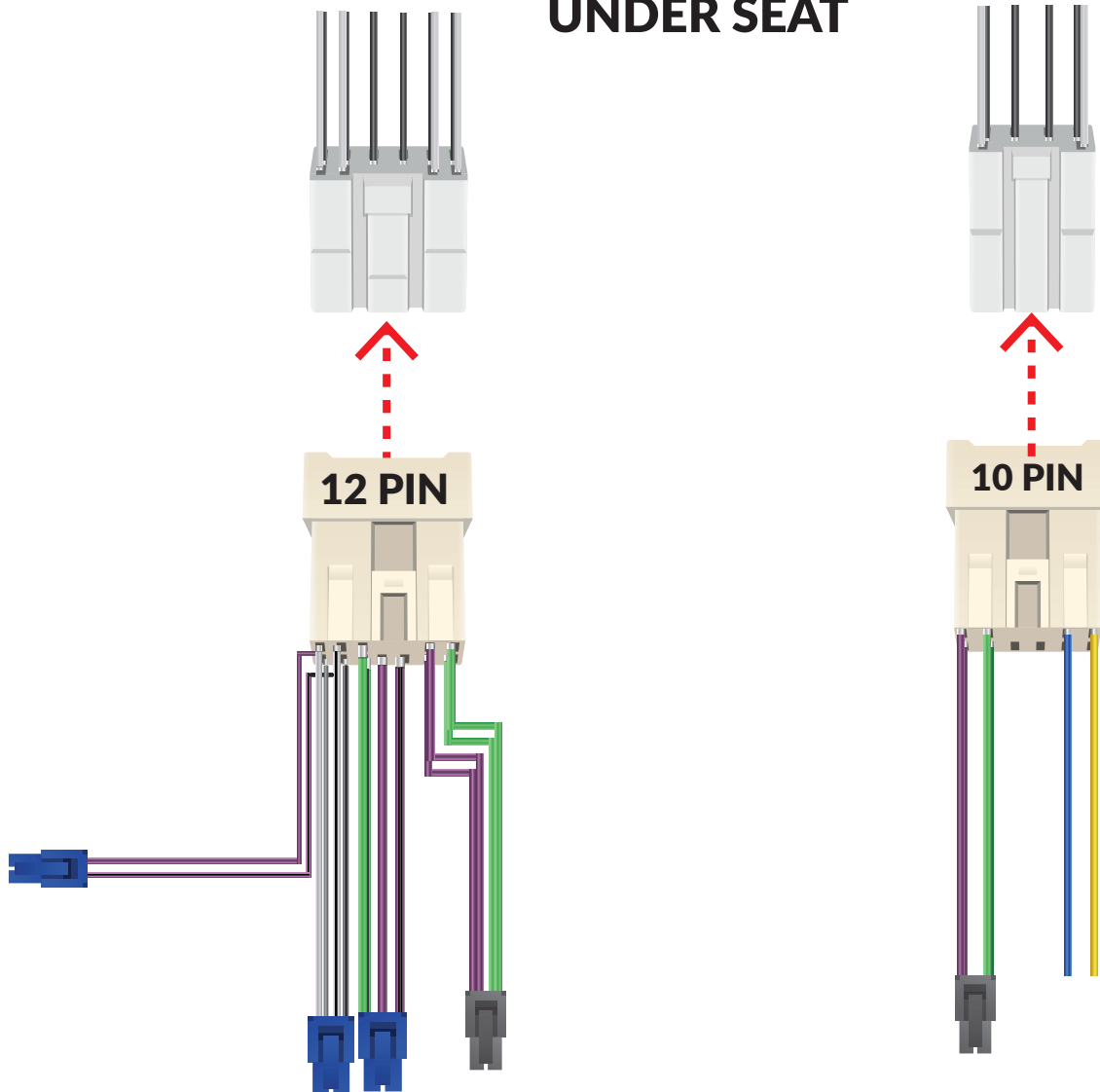
SECTION 1b -

# CONNECT PLUG & PLAY WIRING



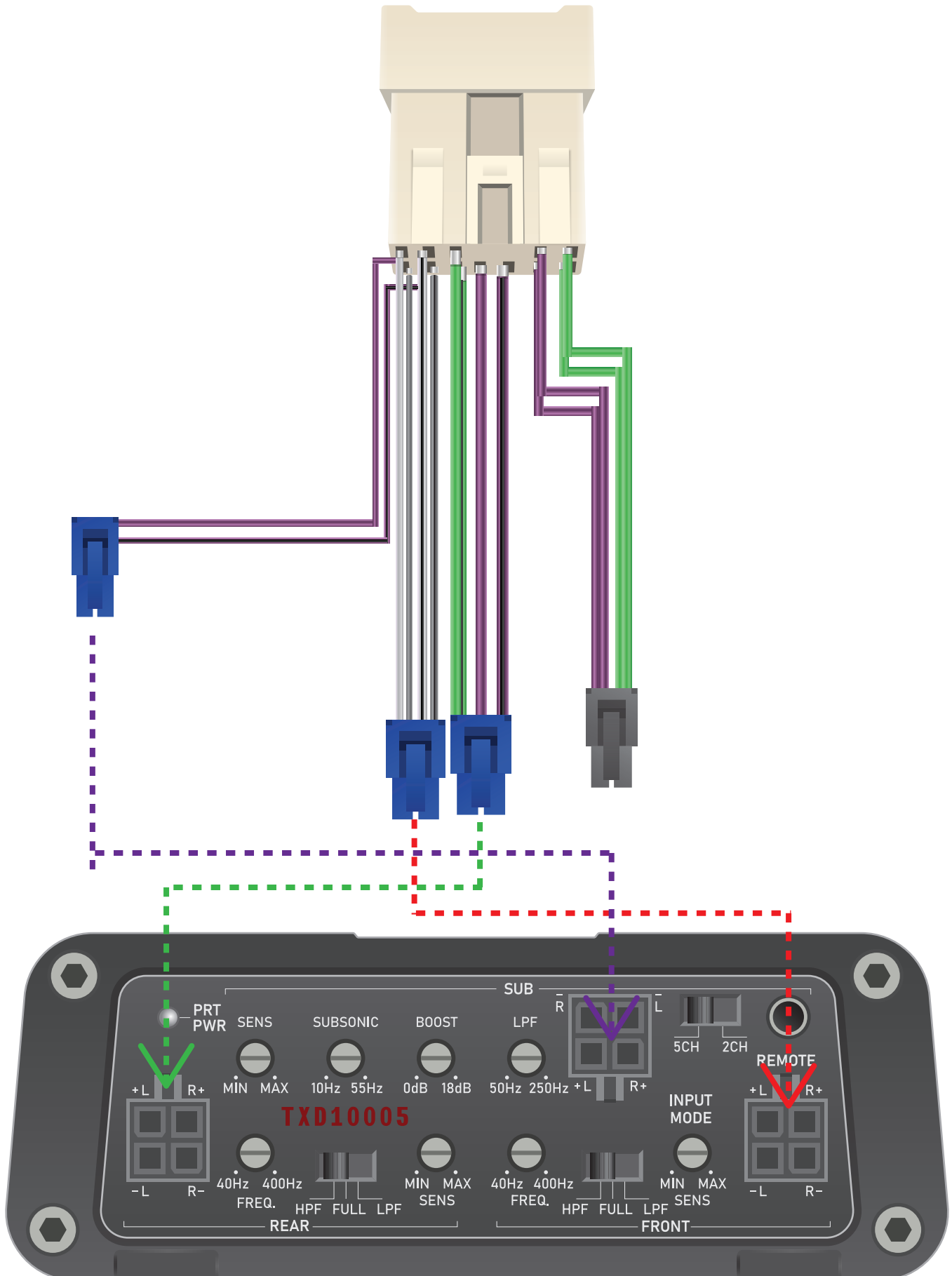
FACTORY AMP REMOVED

## CONNECT PLUG AND PLAY HARNESS 1 & 2 TO FACTORY WIRING UNDER SEAT

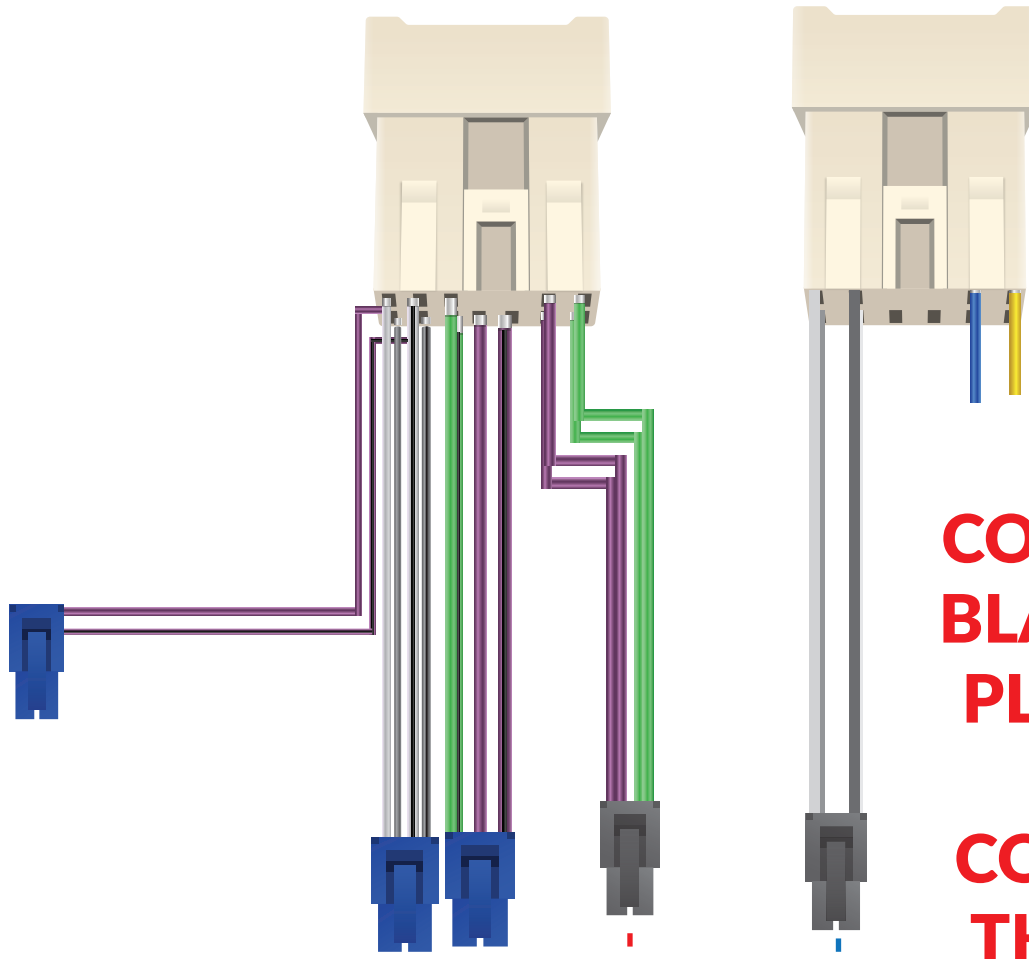


## SECTION 1c -

# Connect Blue Molex Plugs to Amp Inputs

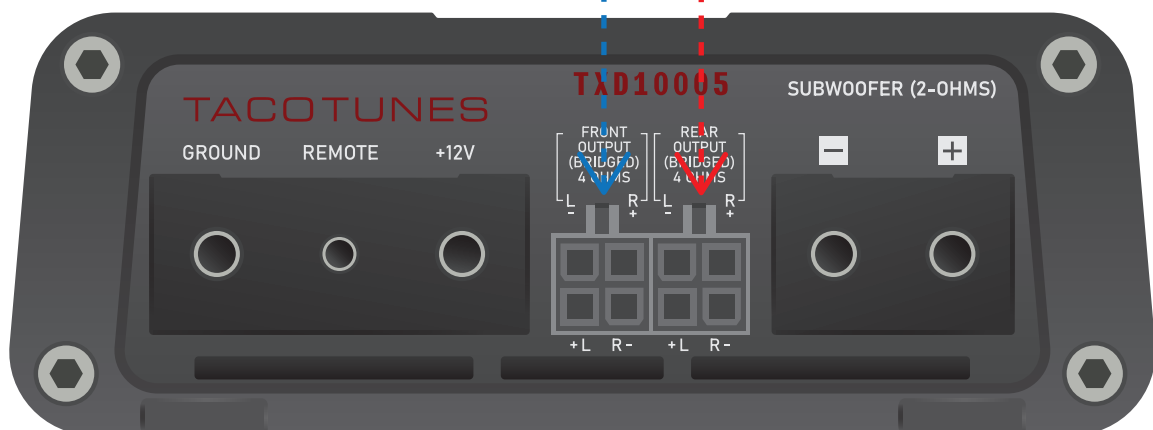


# BLACK MOLEX PLUGS



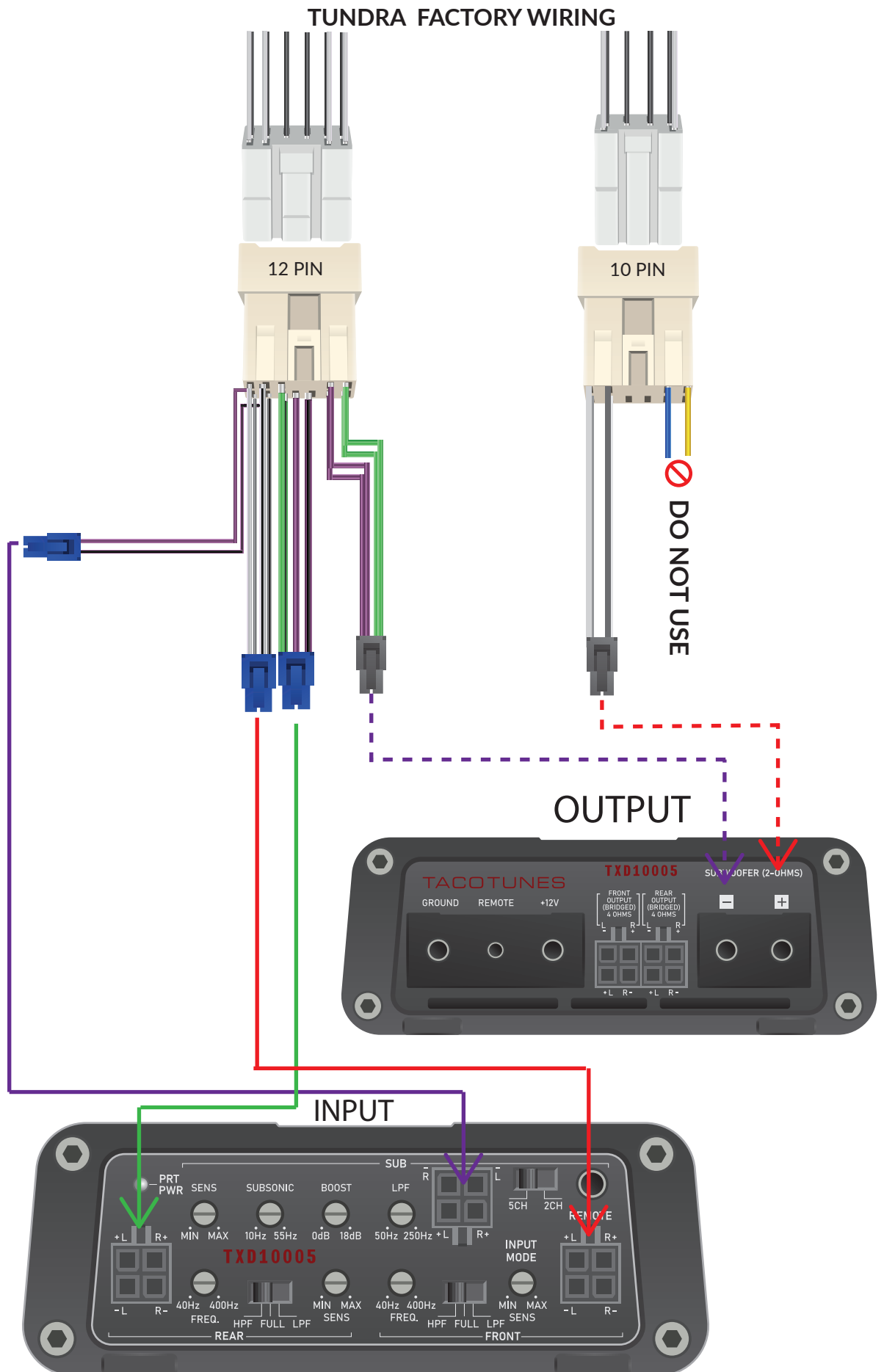
**DO NOT  
CONNECT THE  
BLACK MOLEX  
PLUGS UNTIL  
AFTER  
COMPLETING  
THE TUNING  
PROCESS**

OUTPUT





# PLUG AND PLAY HARNESS CONNECTION OVERVIEW



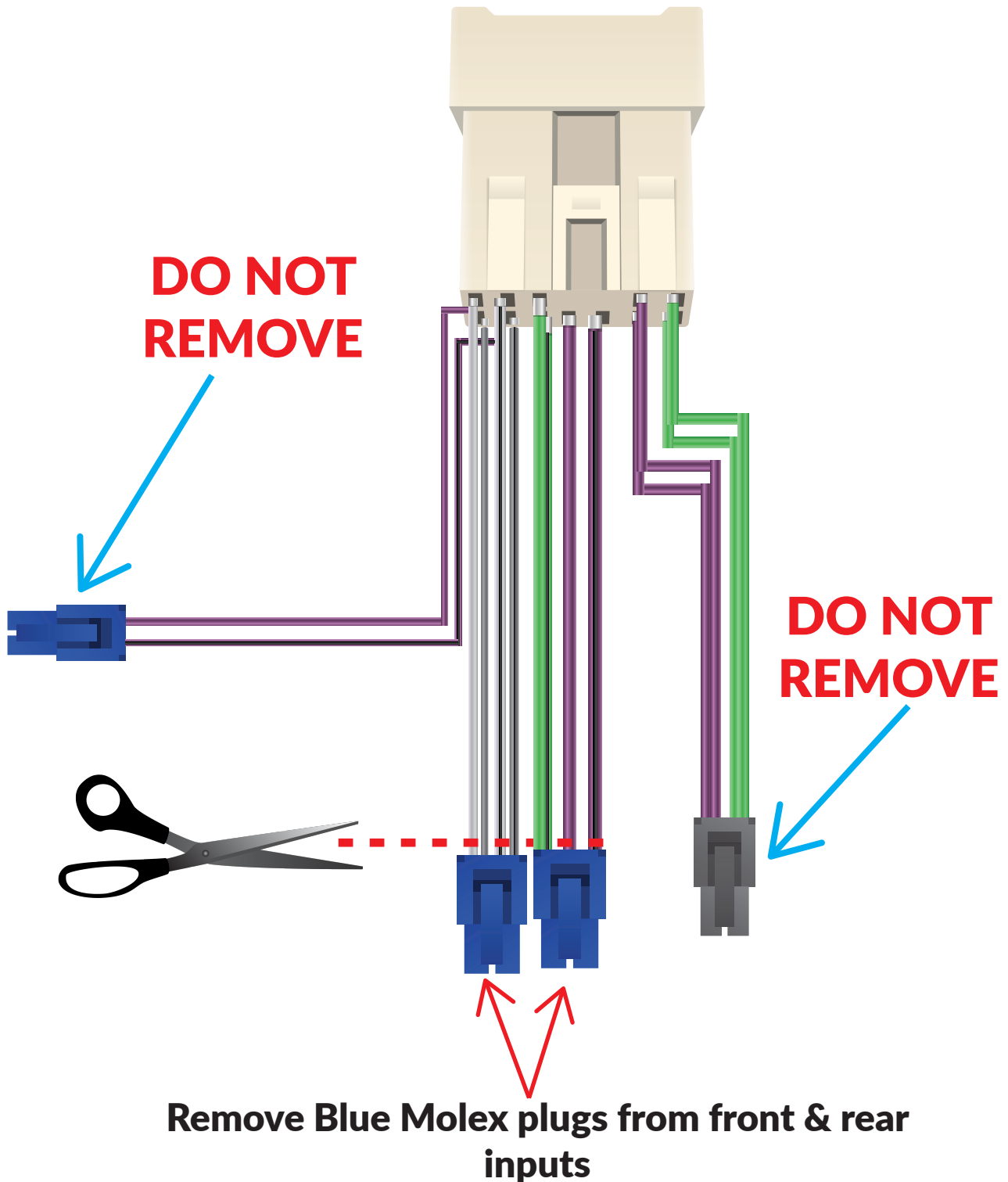


**THE FOLLOWING  
CONNECTIONS ARE  
FOR 2020-2021 TOYOTA  
TUNDRAS**

2014-2019 Connections are  
pages 6-9

# HARNES LEAD CONNECTIONS

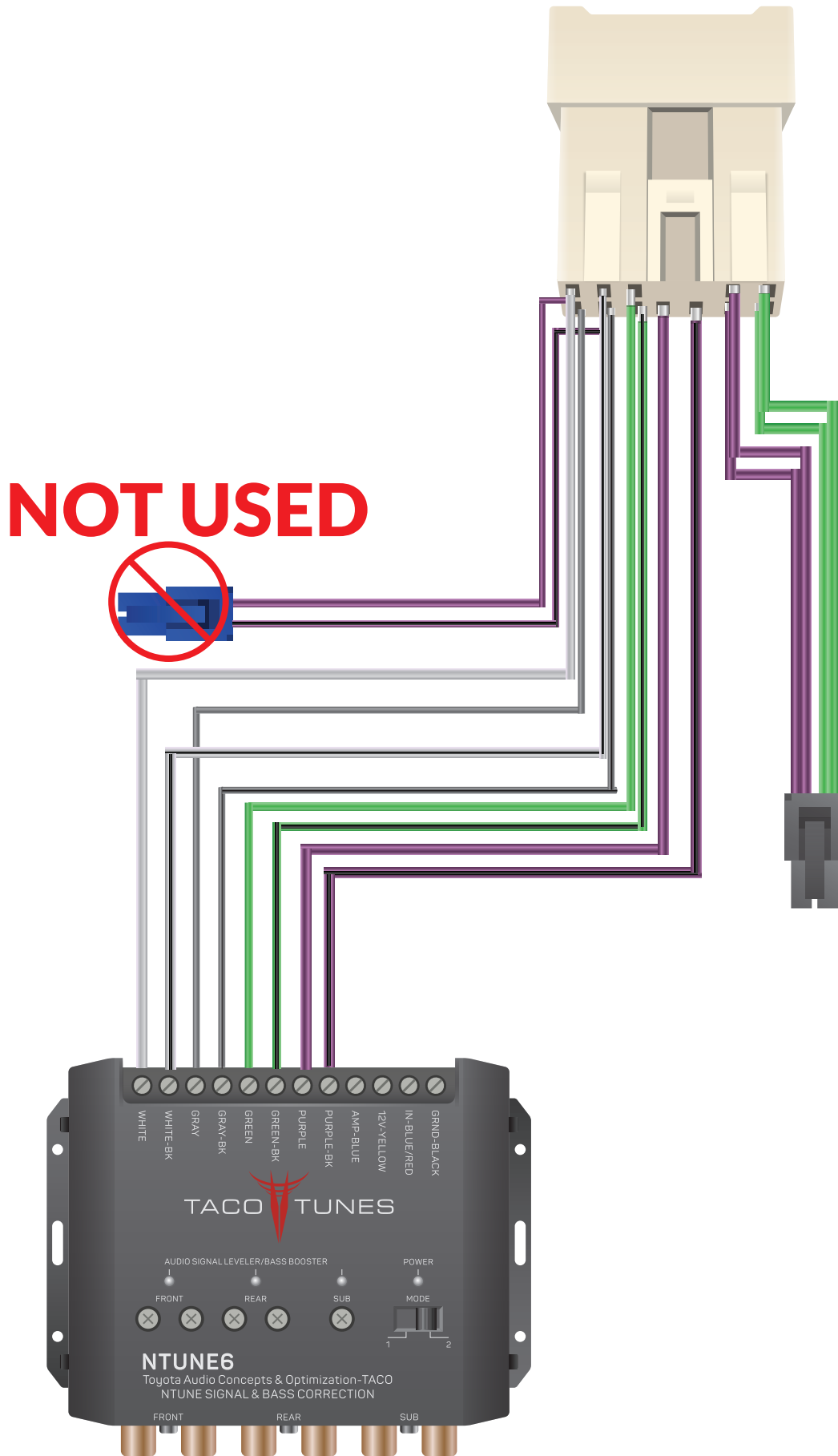
## BLUE MOLEX PLUGS





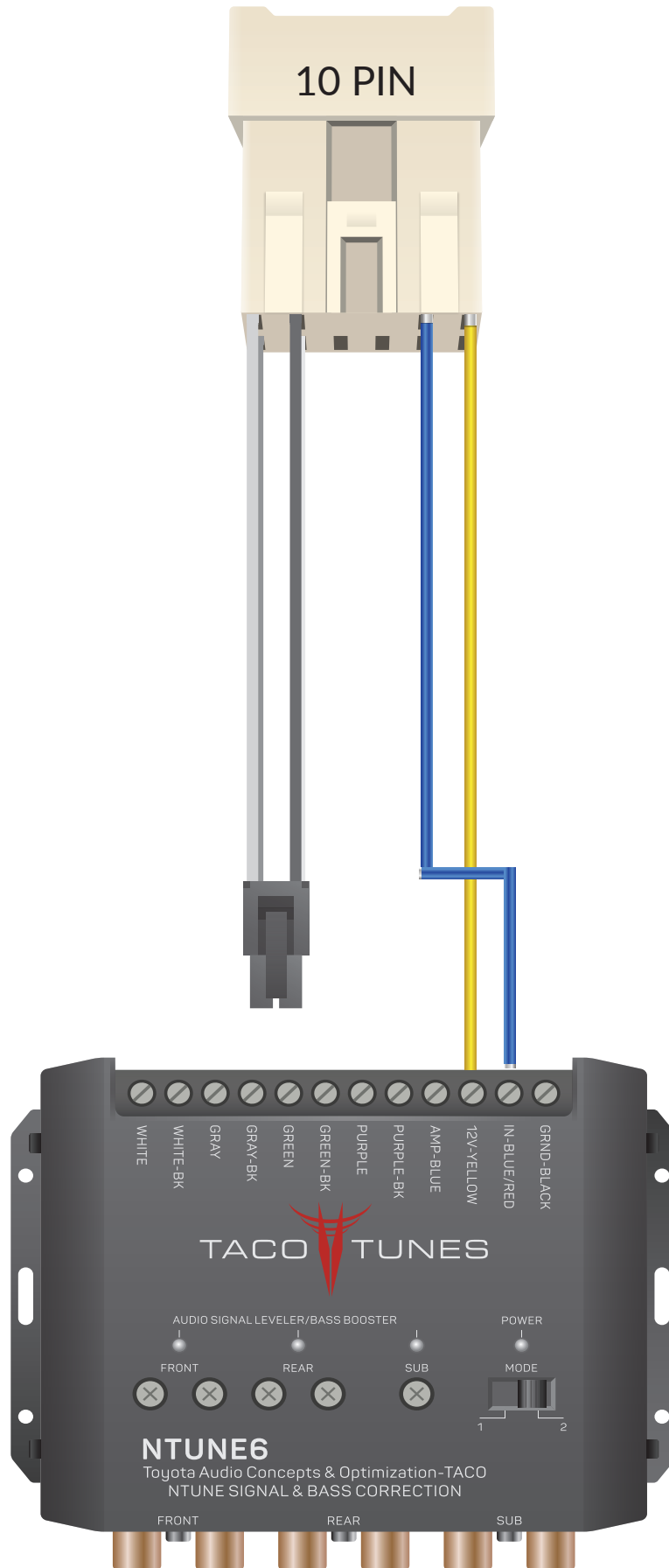
## SECTION 1c -

# Connect 12 pin leads to NTUNE6



## SECTION 1c -

# Connect 10 pin leads to NTUNE6



# NTUNE6

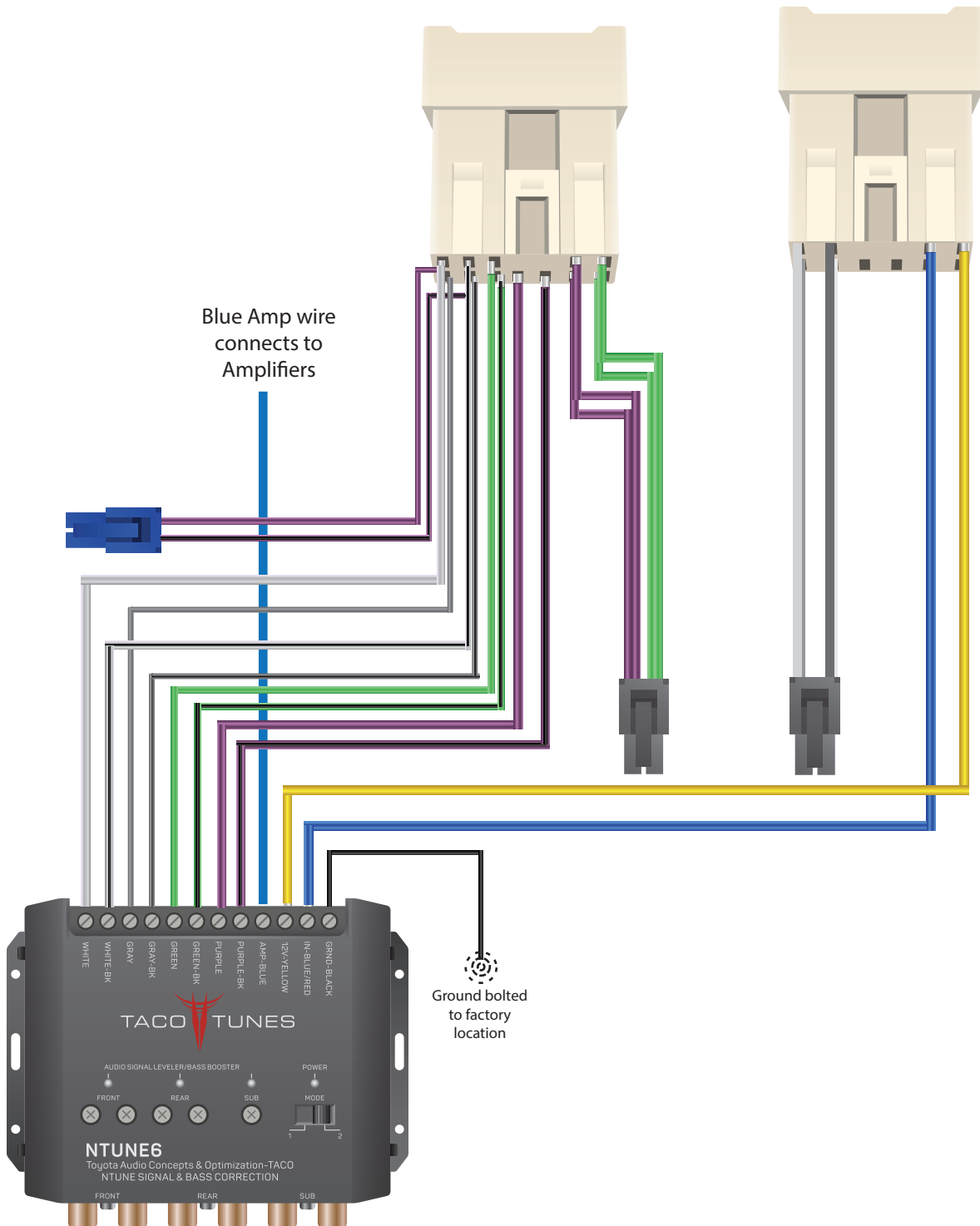
## Color Code Overview





# NTUNE6

## Connections Overview



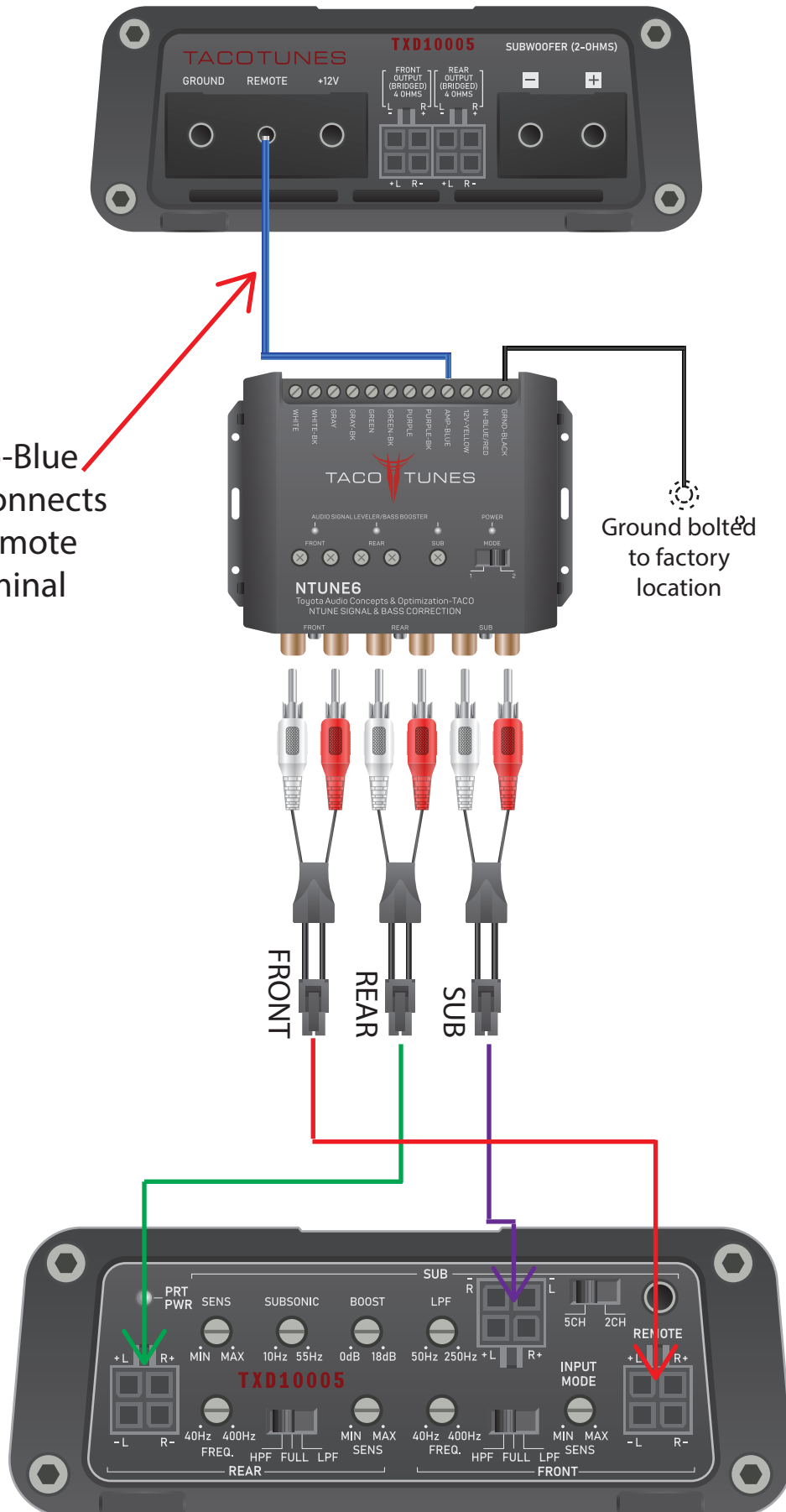
# CONNECT NTUNE6 TO AMPLIFIERS

OUTPUT

Amp-Blue wire connects to remote terminal

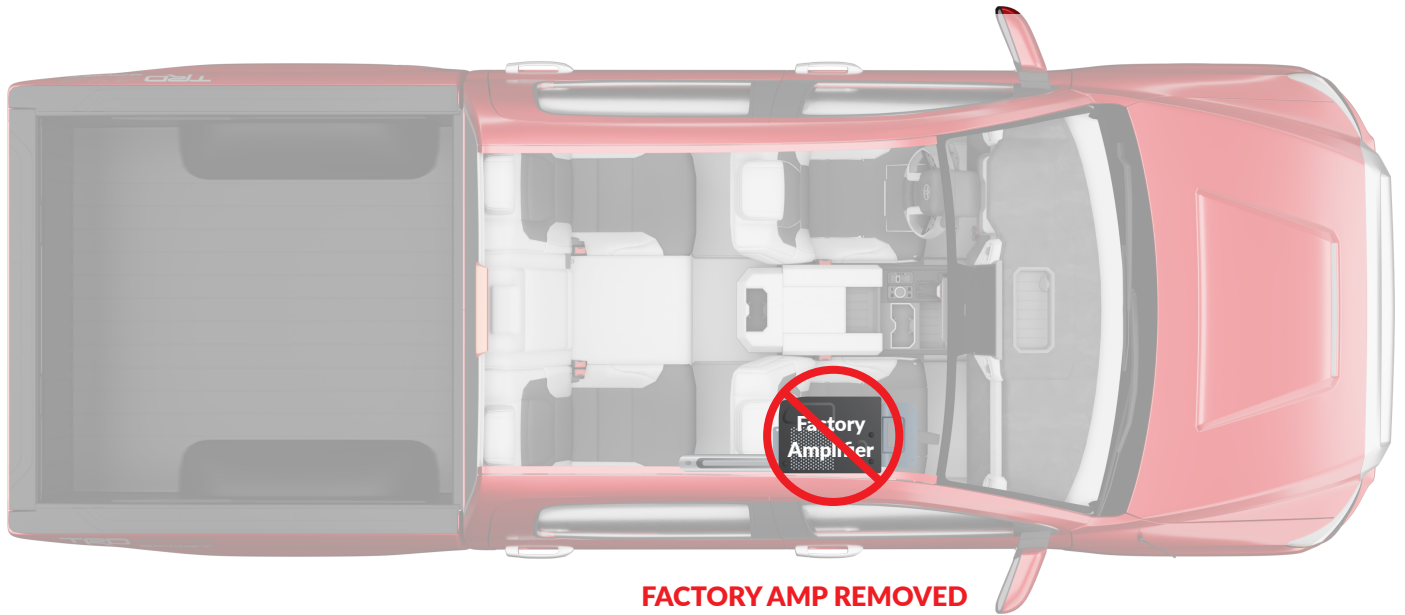
Ground bolted to factory location

INPUT

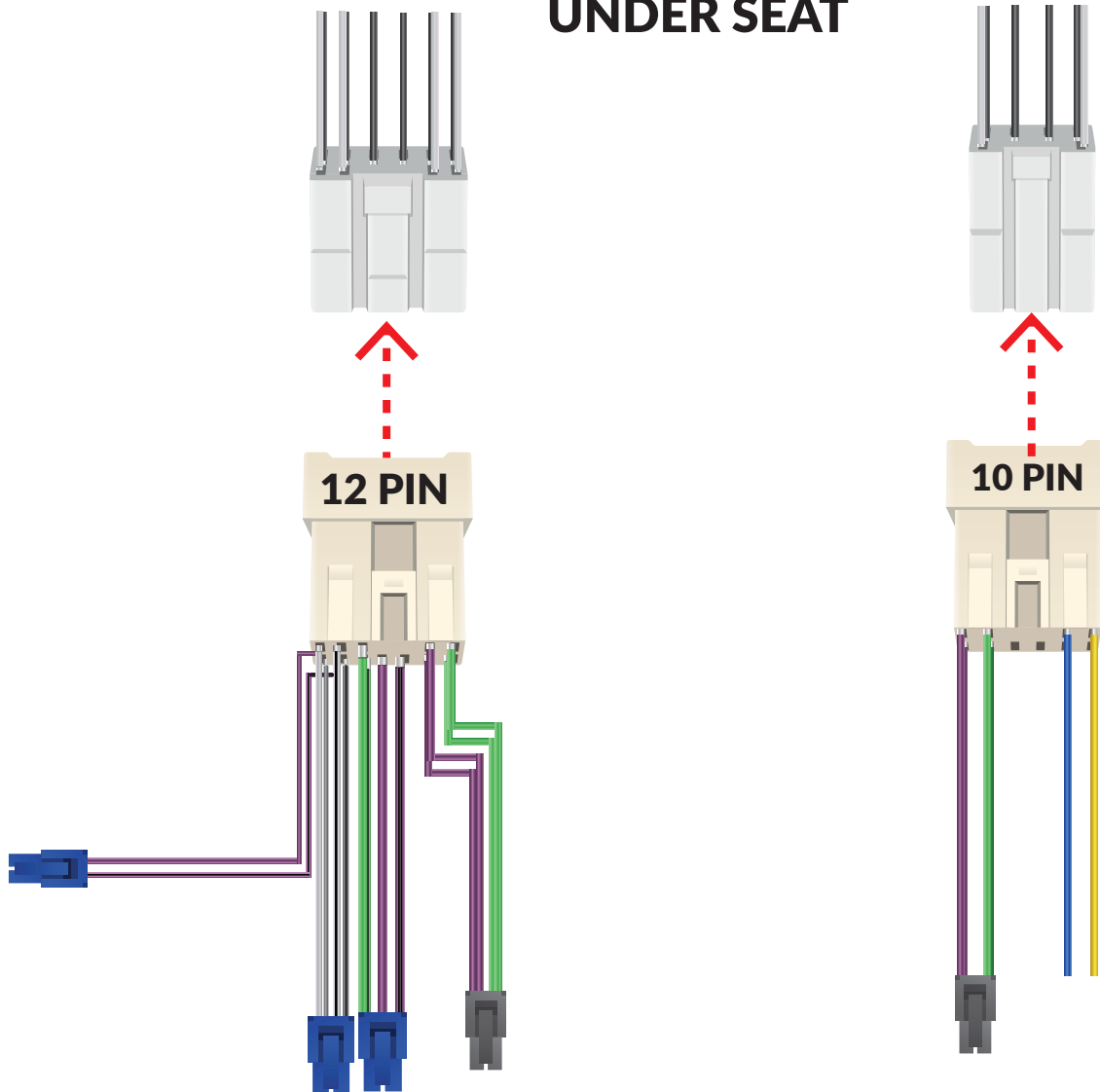


SECTION 1b -

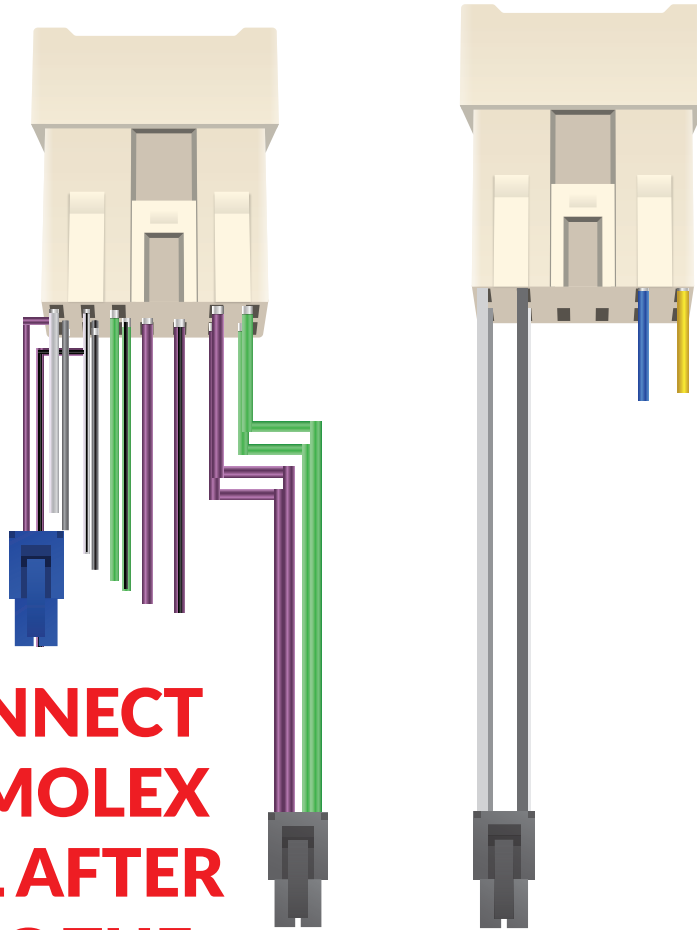
# CONNECT PLUG & PLAY WIRING



## CONNECT PLUG AND PLAY HARNESS 1 & 2 TO FACTORY WIRING UNDER SEAT

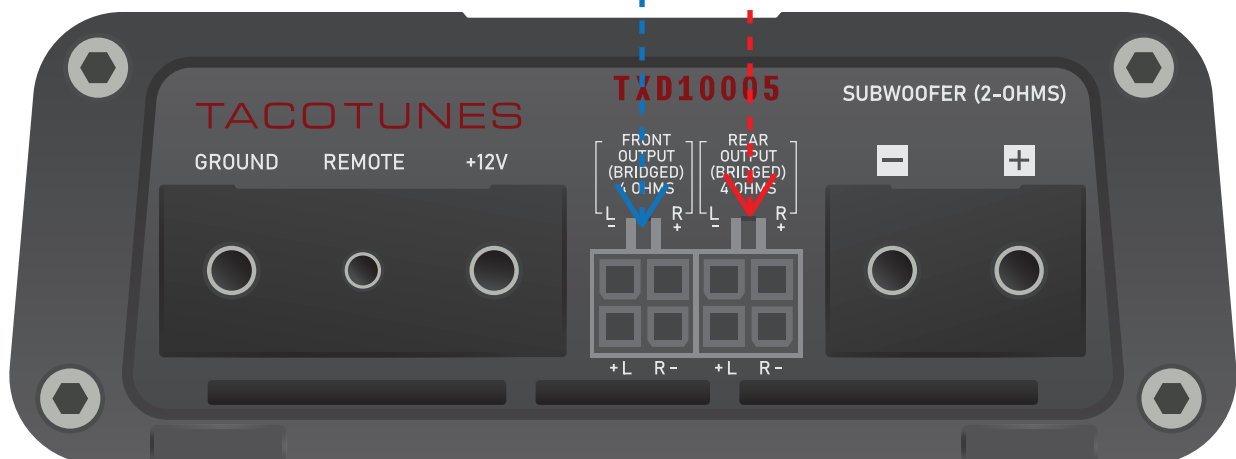


# BLACK MOLEX PLUGS

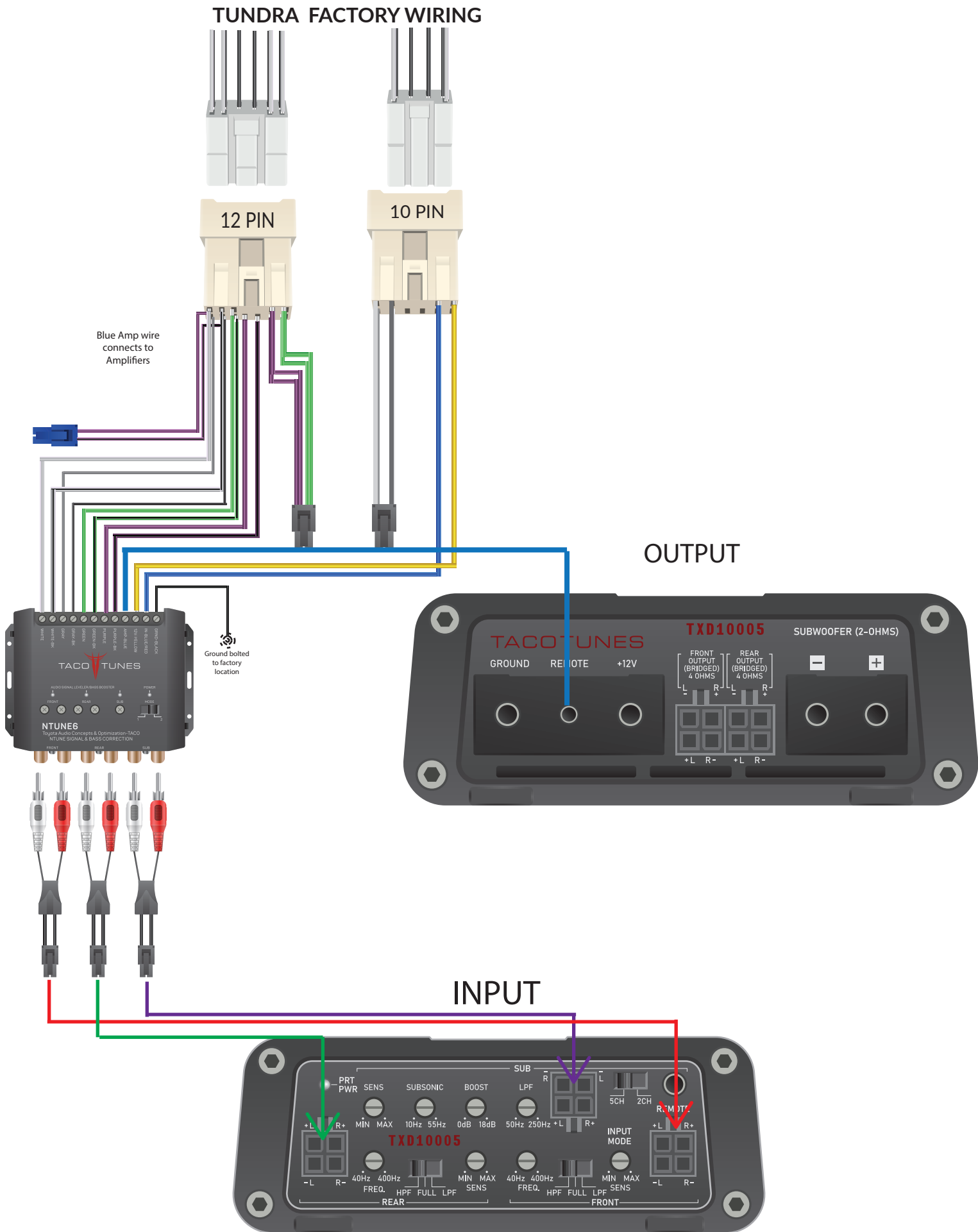


**DO NOT CONNECT  
THE BLACK MOLEX  
PLUGS UNTIL AFTER  
COMPLETING THE  
TUNING PROCESS**

OUTPUT

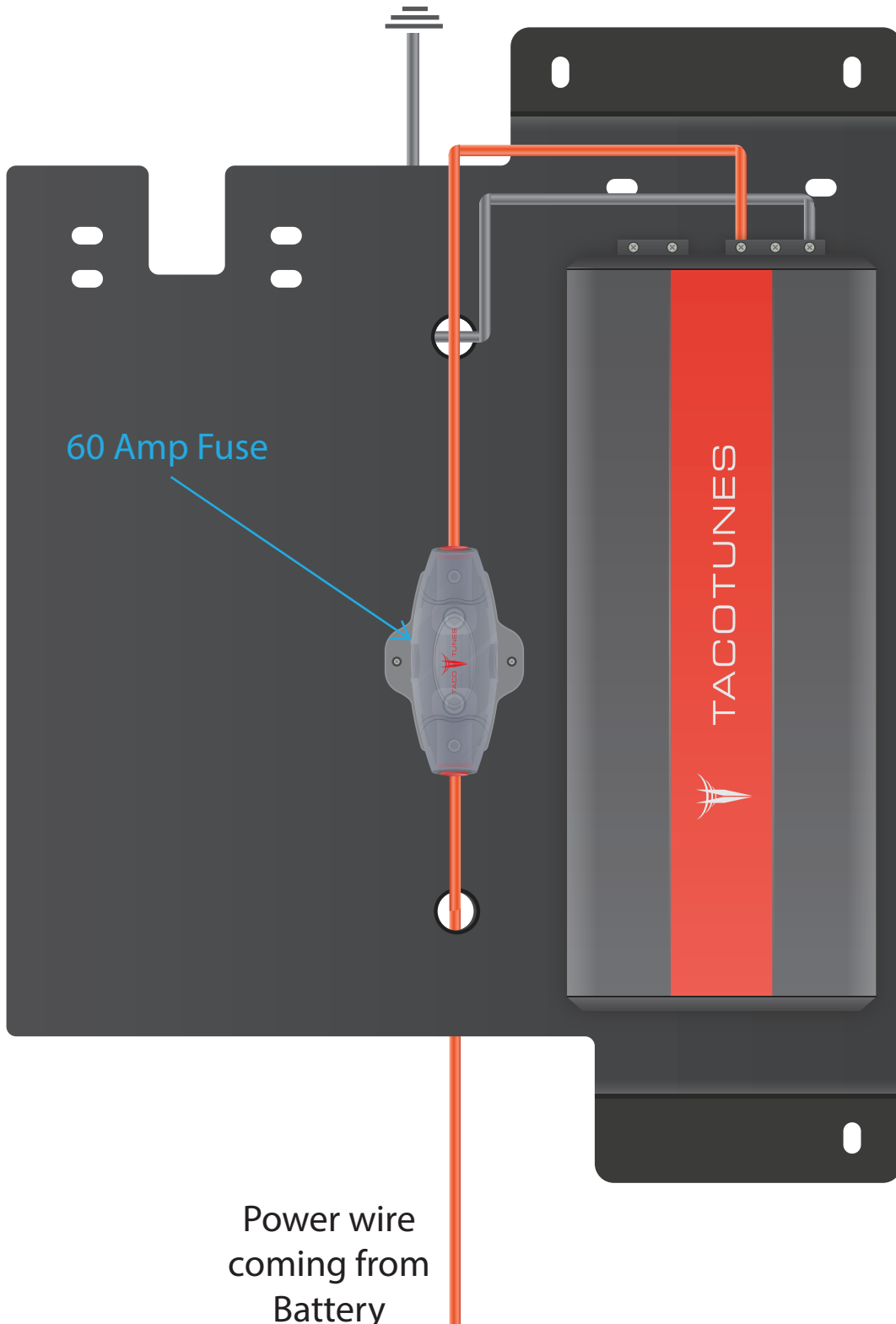


# PLUG AND PLAY HARNESS CONNECTION OVERVIEW

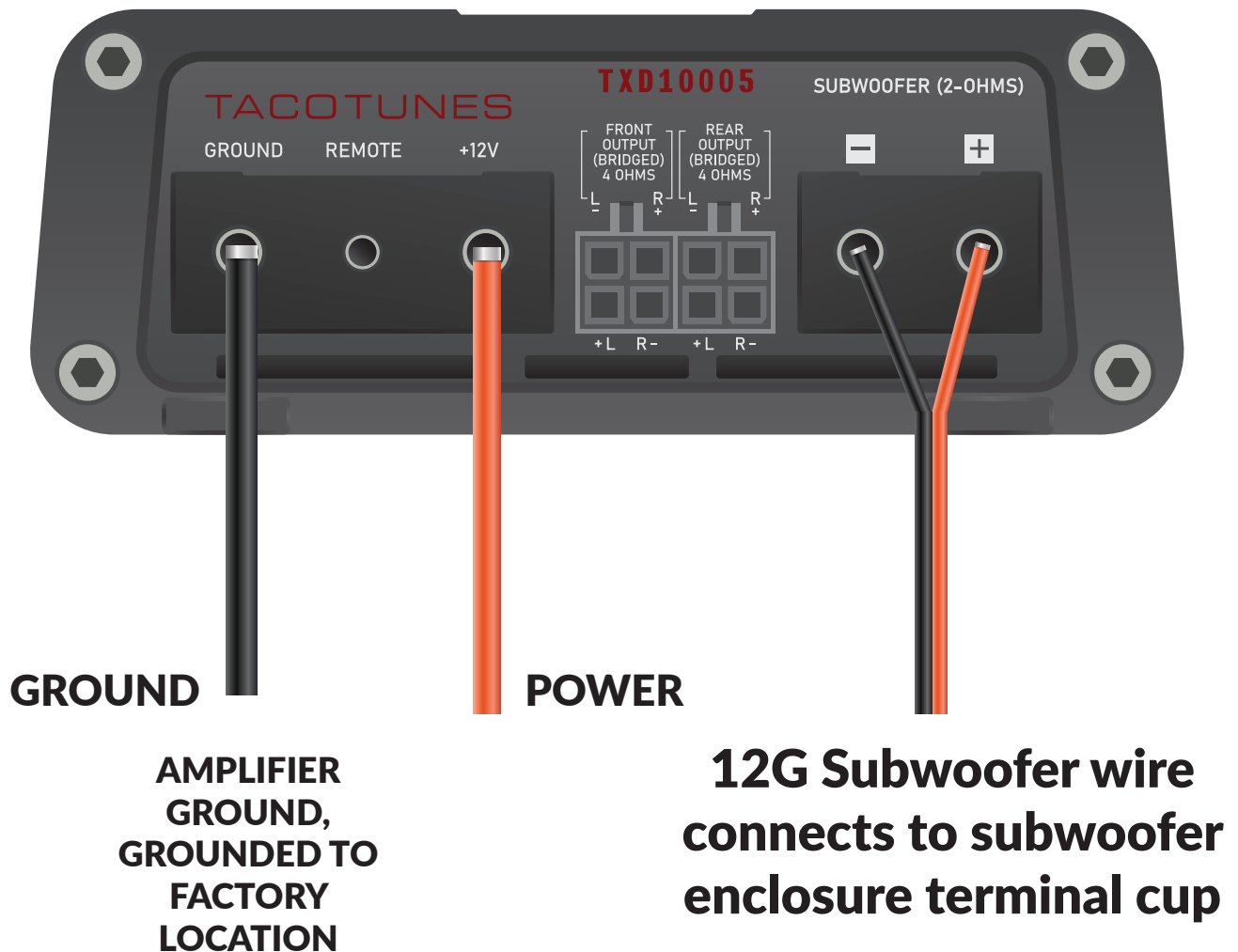


# Amp Rack Assembly

Amp Grounded to  
factory location



# AMPLIFIER OUTPUT CONNECTION OVERVIEW

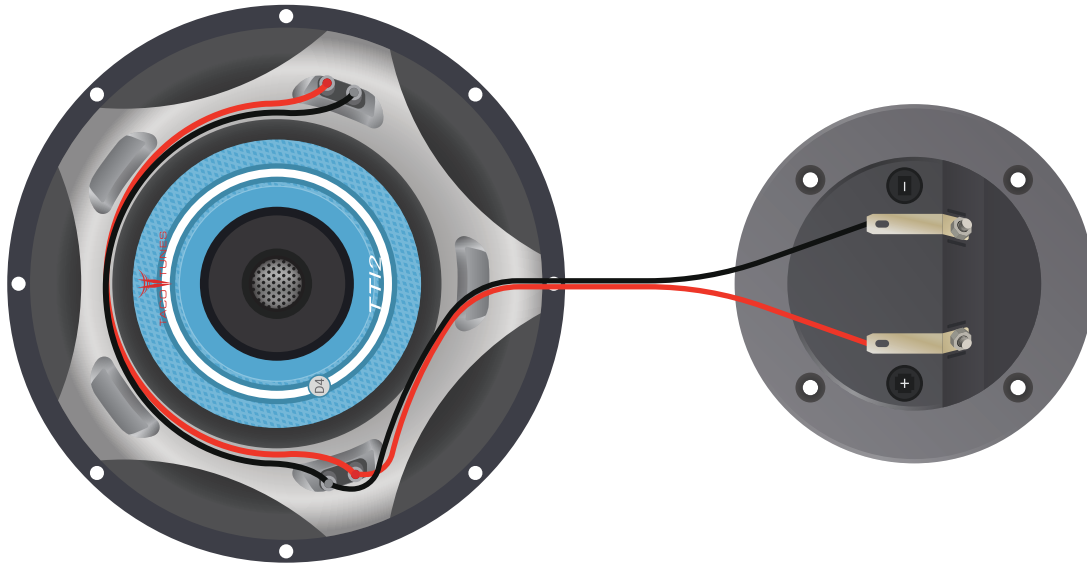


**DO NOT CONNECT SUB WIRING TO TERMINAL CUP UNTIL AFTER THE TUNING PROCESS IS COMPLETED**



# SUBWOOFER WIRING

## Single Subwoofer Wiring



## Dual Subwoofer Wiring

