

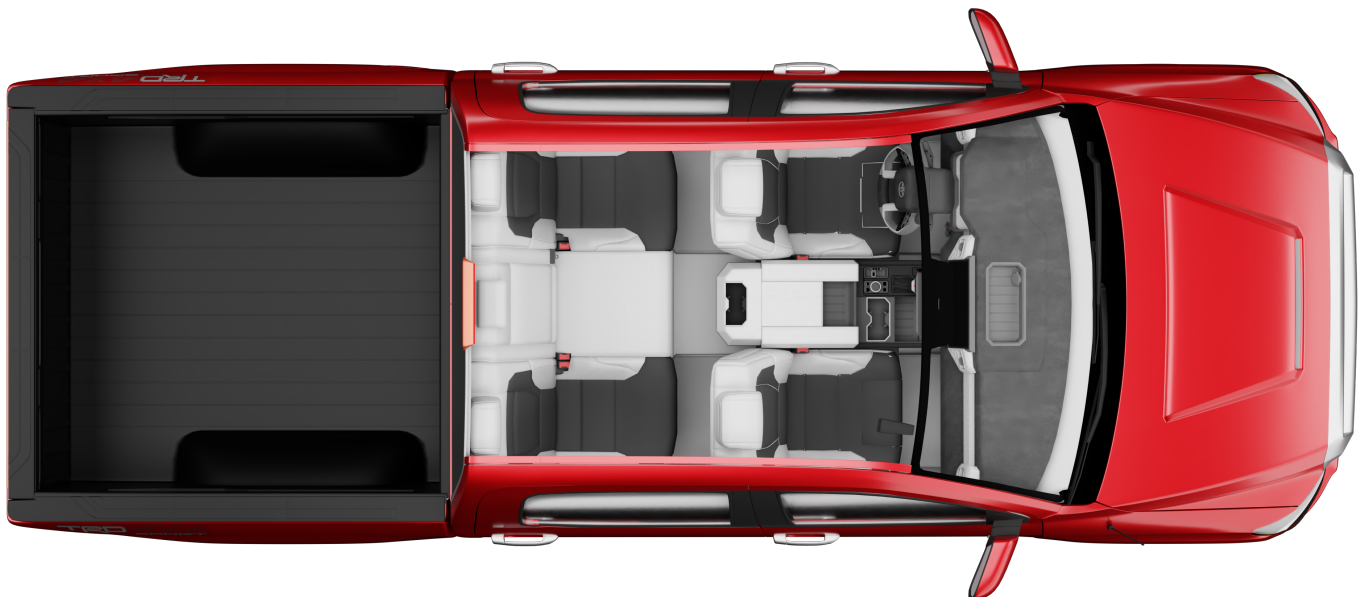
2014-2021 Toyota Tundra Audio Upgrade

Complete Installation Manual



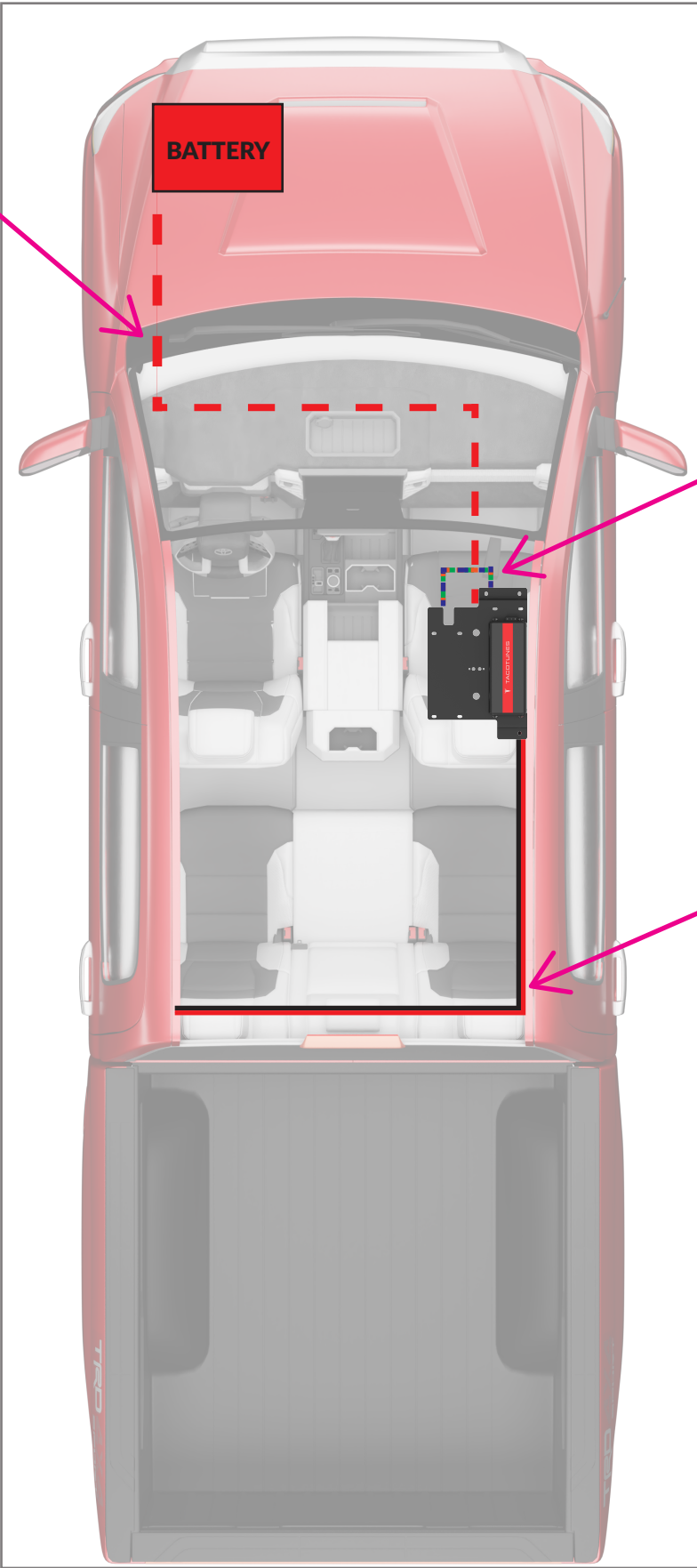
SYSTEM 1A

Aftermarket Head Unit Connections



PLUG & PLAY INTEGRATION OVERVIEW

8G Power Wire
runs from
battery to TXD
Amplifiers



**Connect to factory
wiring under seat, &
to TXD Amplifiers:**

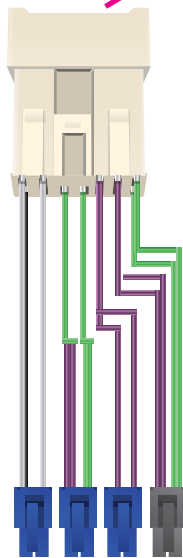
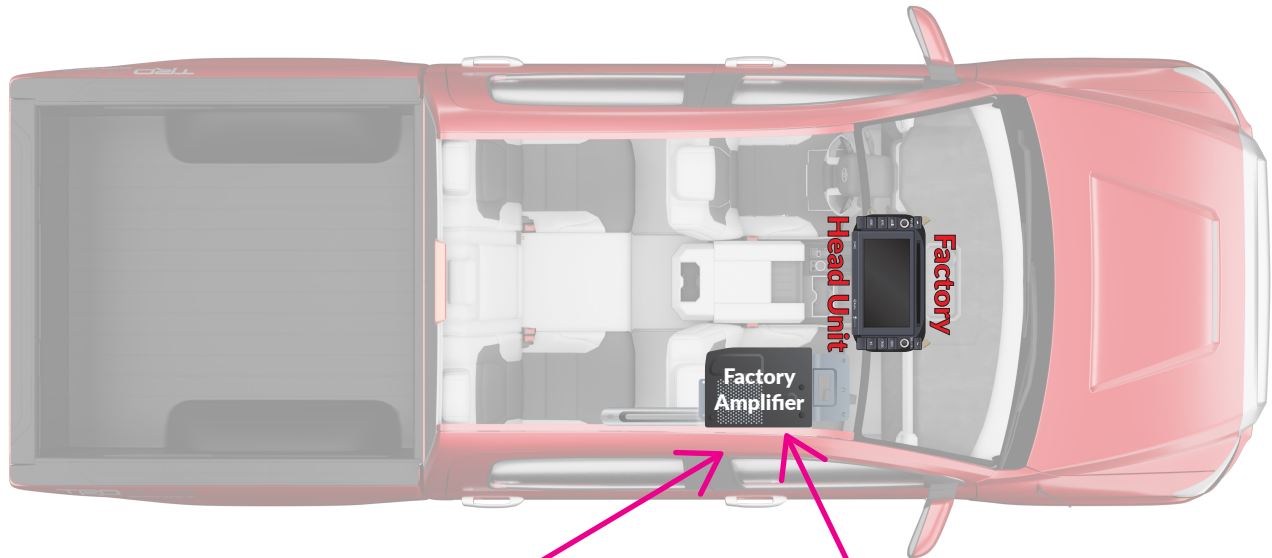
**Plug & play harness 1
Plug & play harness 2**

**12 Gauge
subwoofer wire
ran from
TXD1000.5 to
behind rear seat**

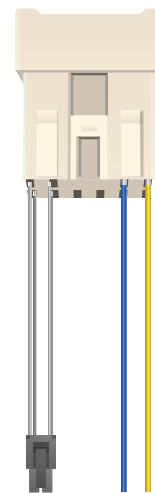
SECTION 1 -

Plug and Play Harness Integration

Factory Amp Under Seat



Harness 1



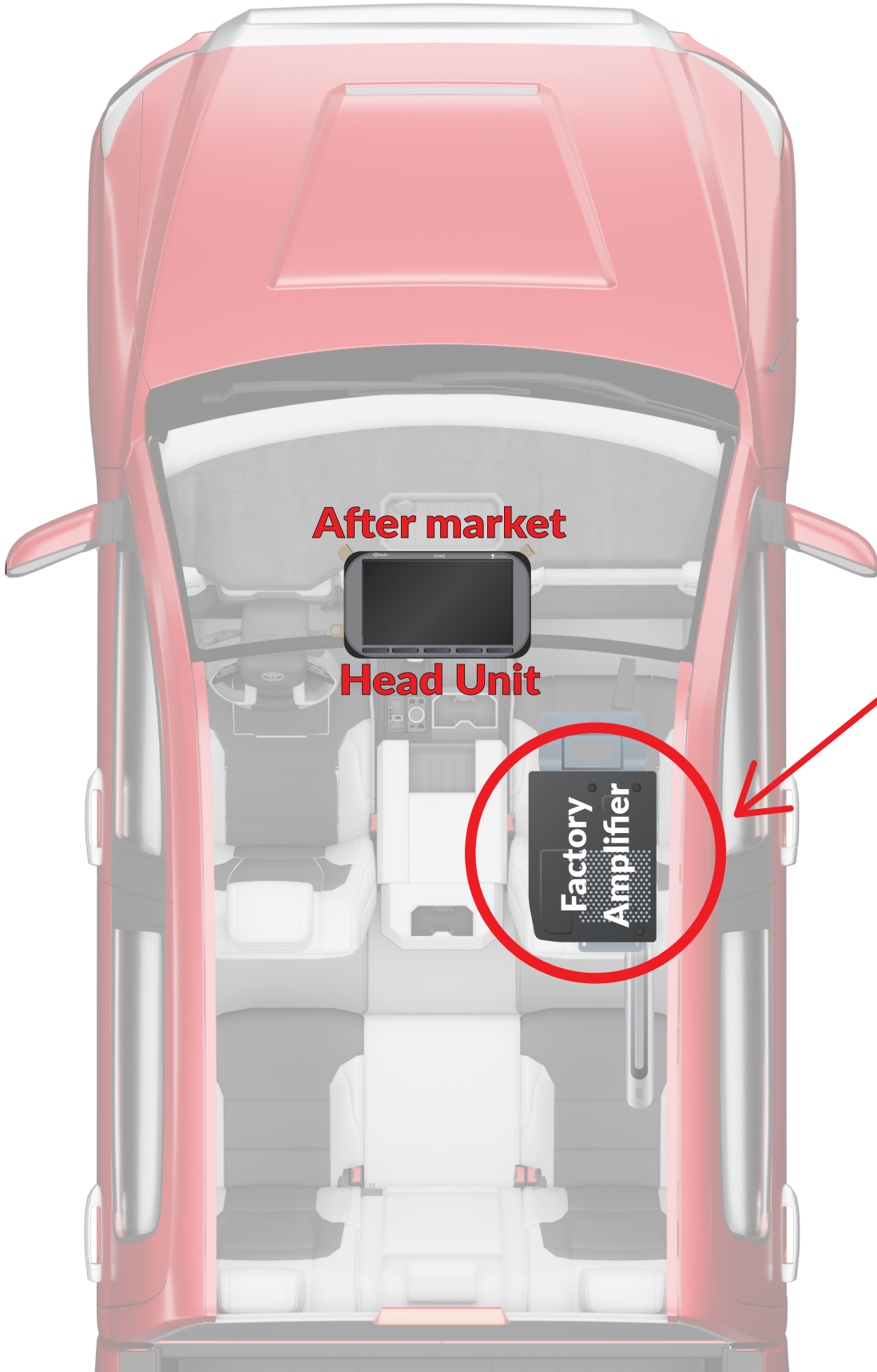
Harness 2

Harness 1 & 2 plug directly into your factory wiring under the passenger seat.

Install these harnesses according steps on the following pages

SECTION 1a -

REMOVE FACTORY AMP



After market



Head Unit

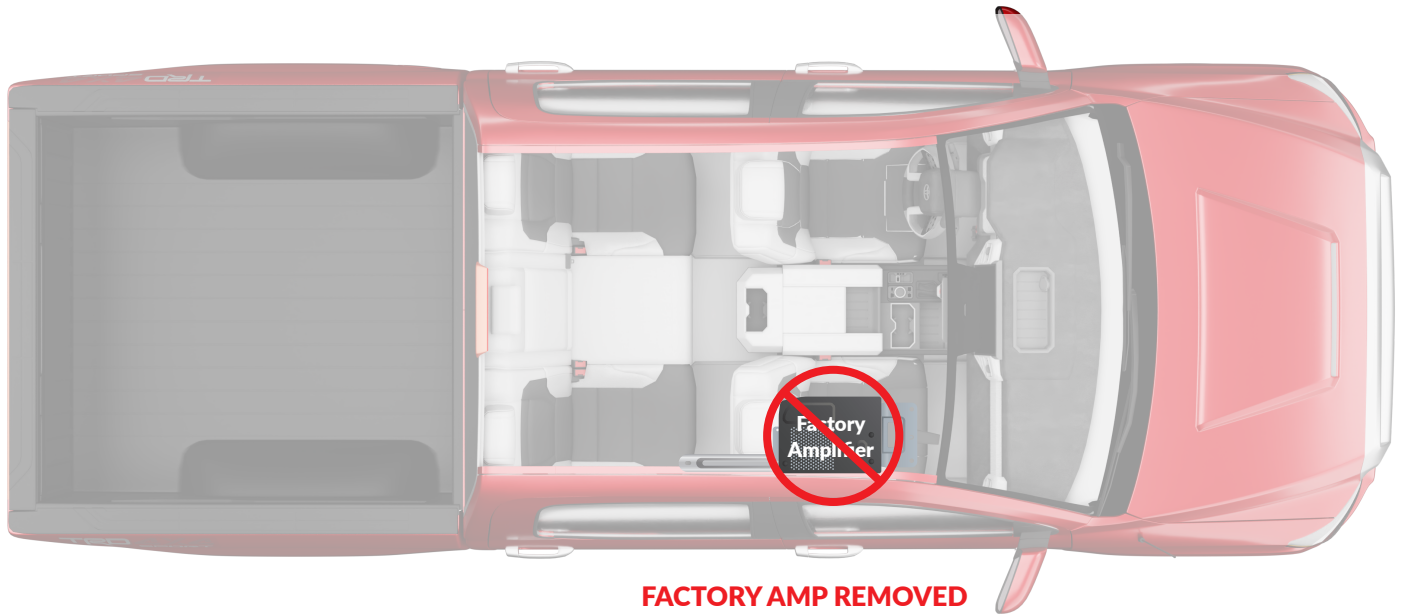


**Factory
Amplifier**

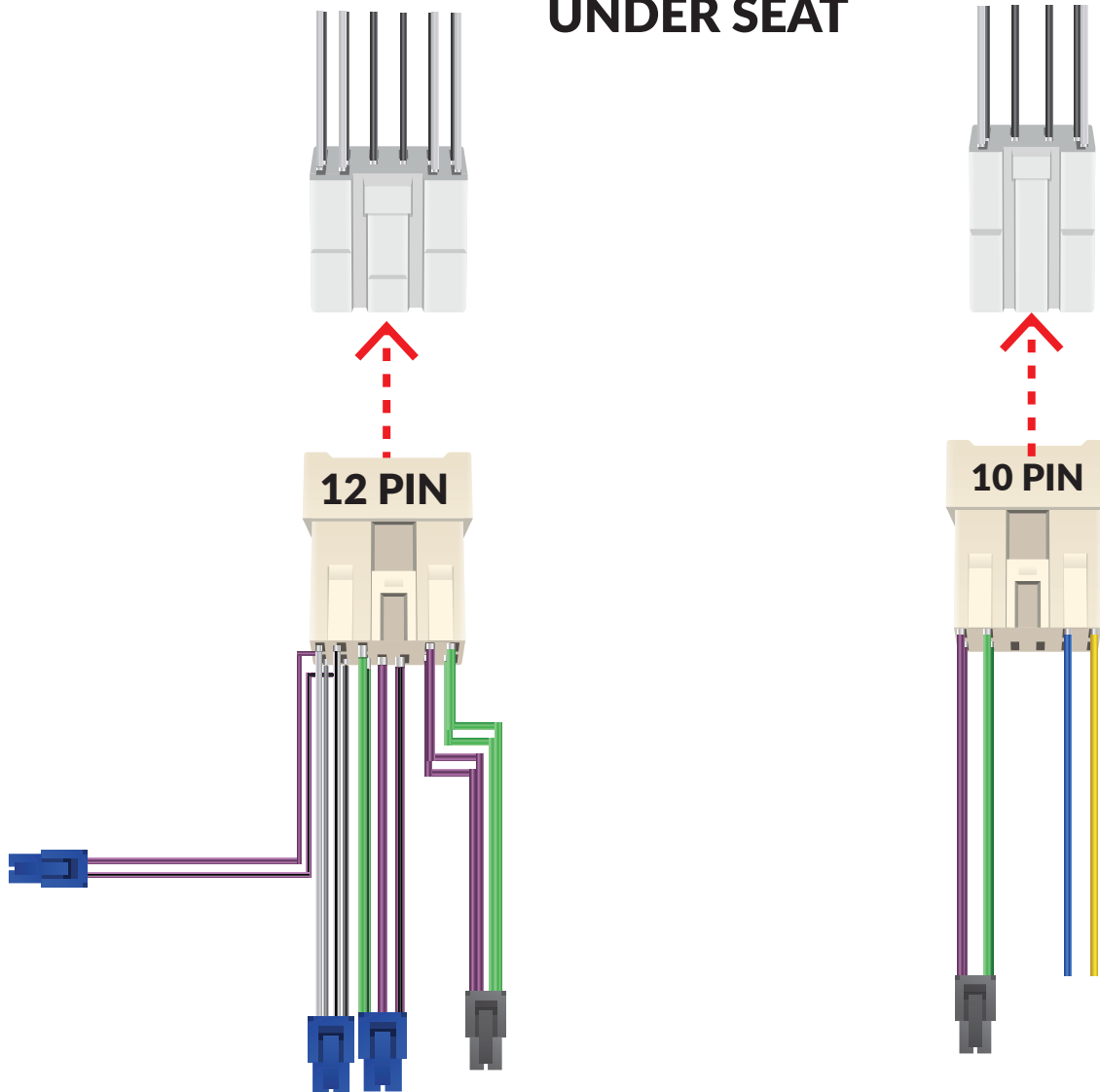
**Remove
Factory
Amplifier**

SECTION 1b -

CONNECT PLUG & PLAY WIRING

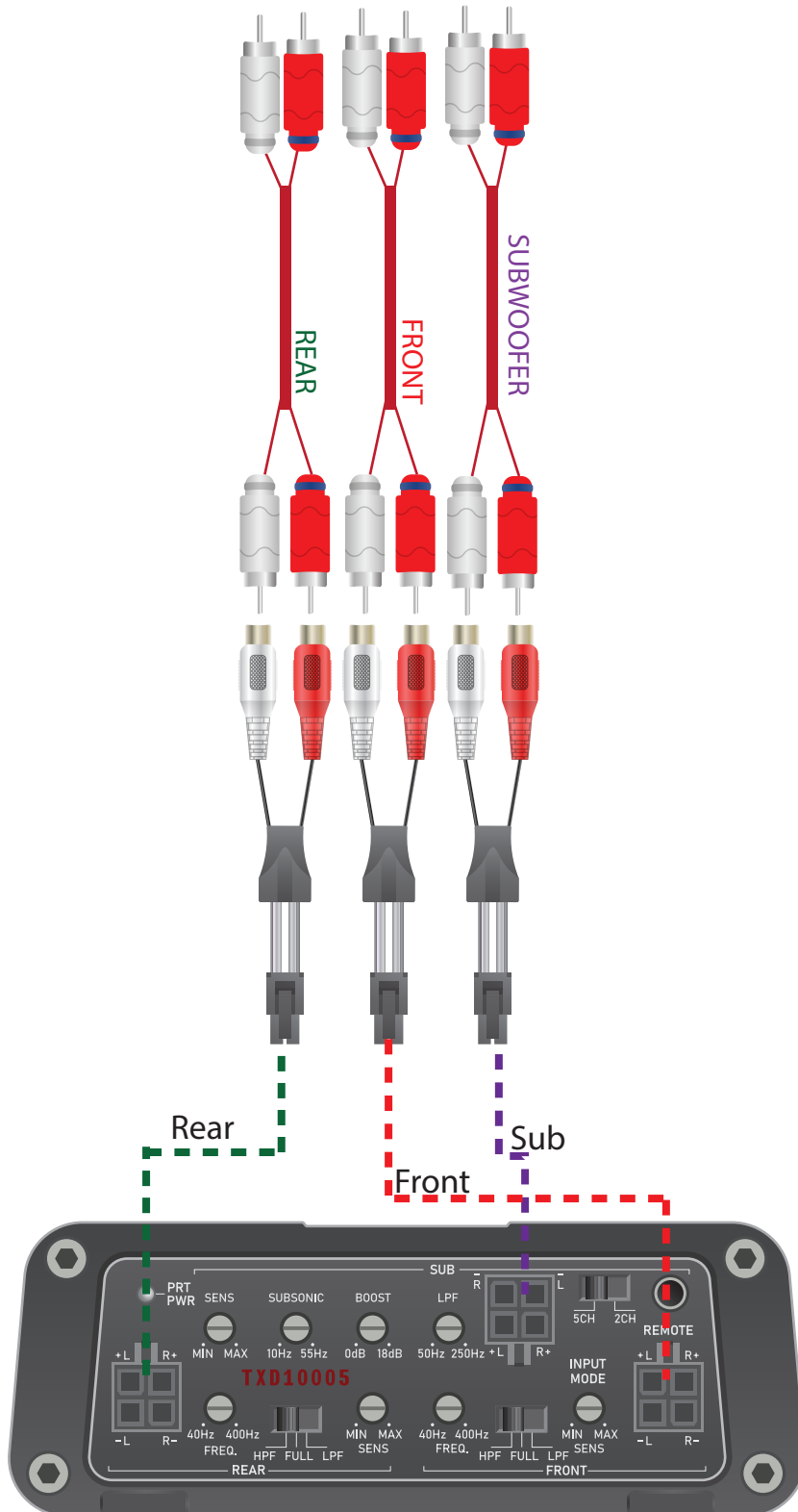


CONNECT PLUG AND PLAY HARNESS 1 & 2 TO FACTORY WIRING UNDER SEAT

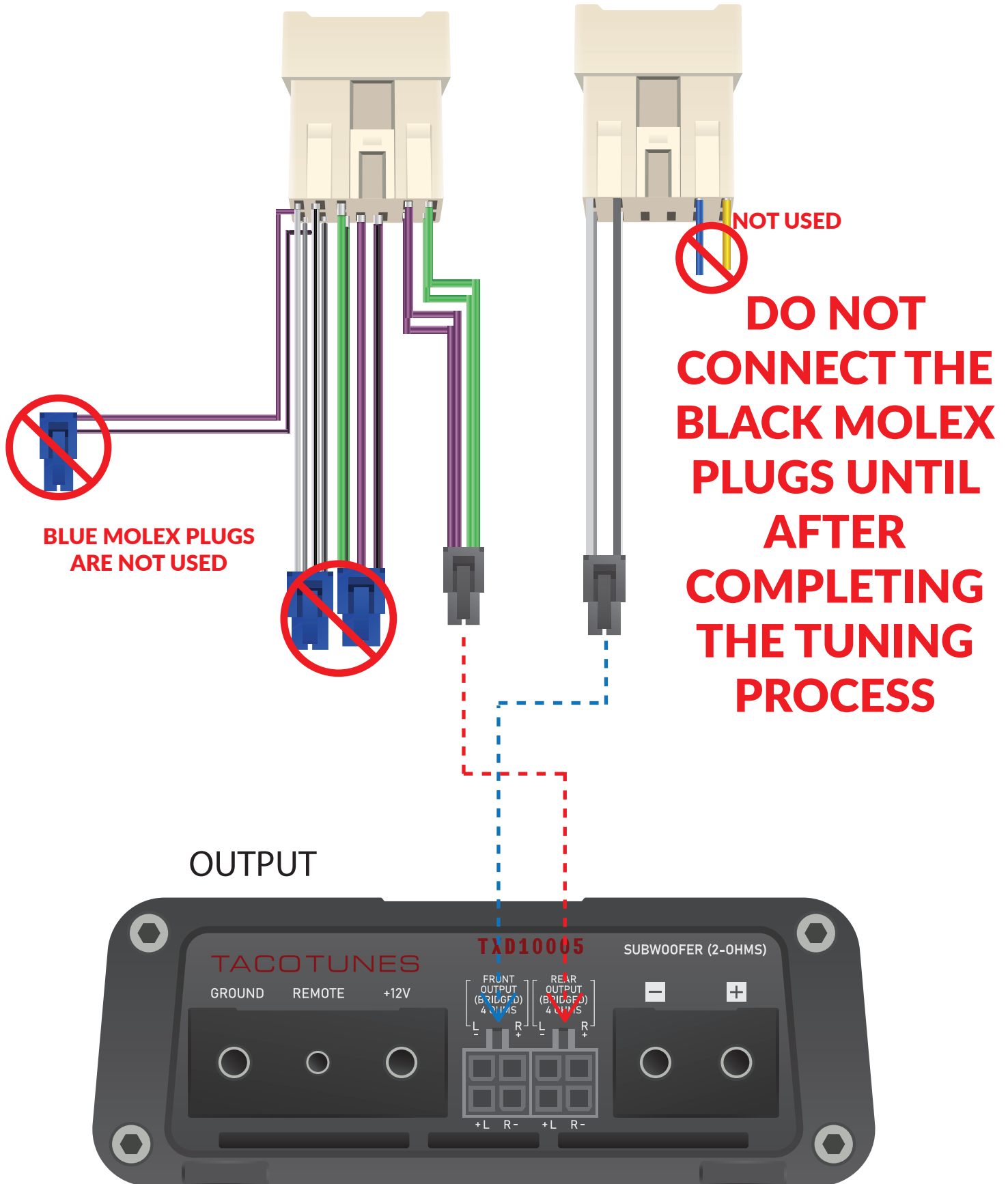


Connect RCA Cables to Amplifiers

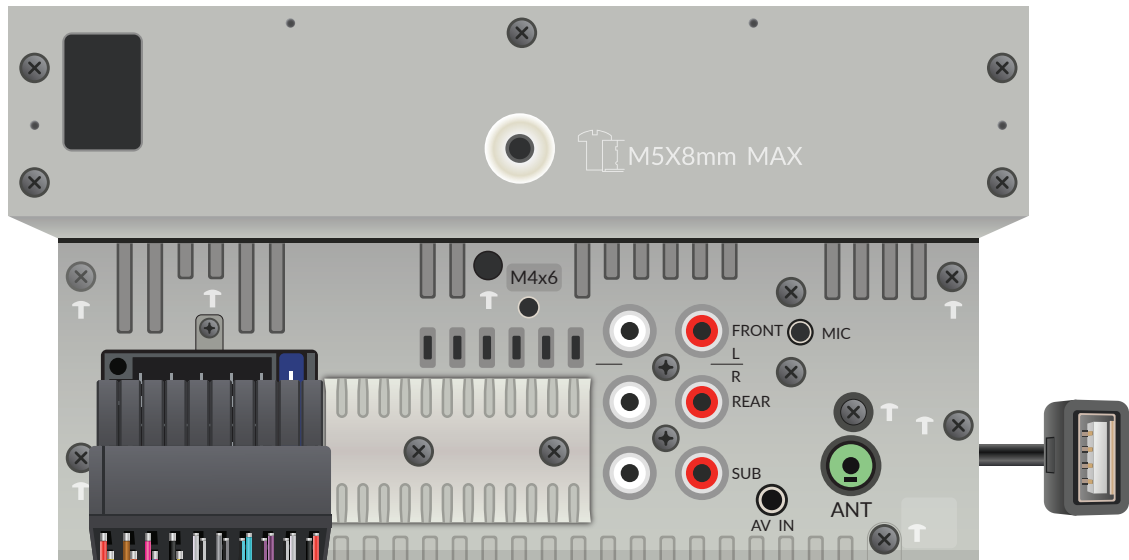
RCA Cables connected to Aftermarket Head Unit



BLACK MOLEX PLUGS



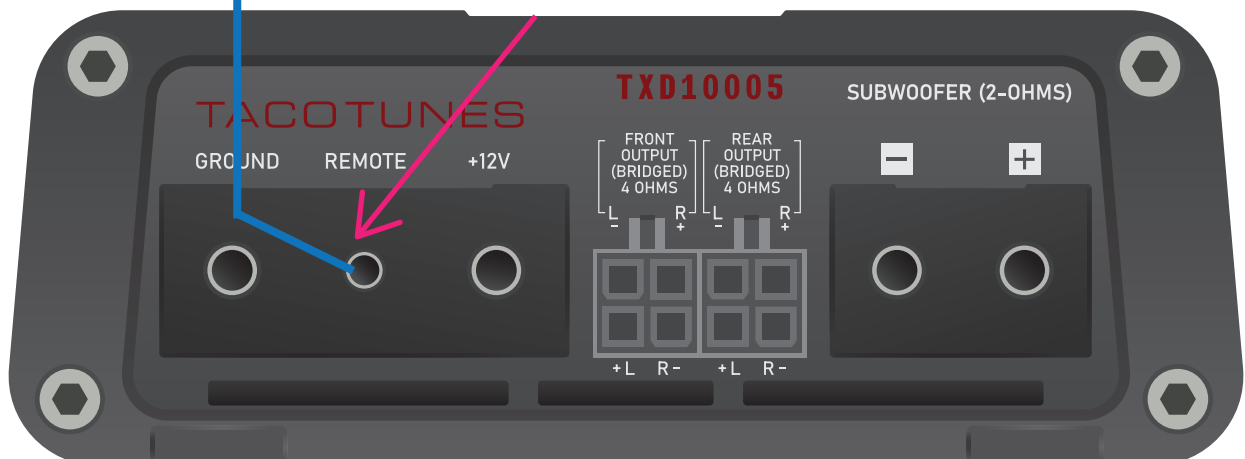
BLUE REMOTE TURN ON WIRE



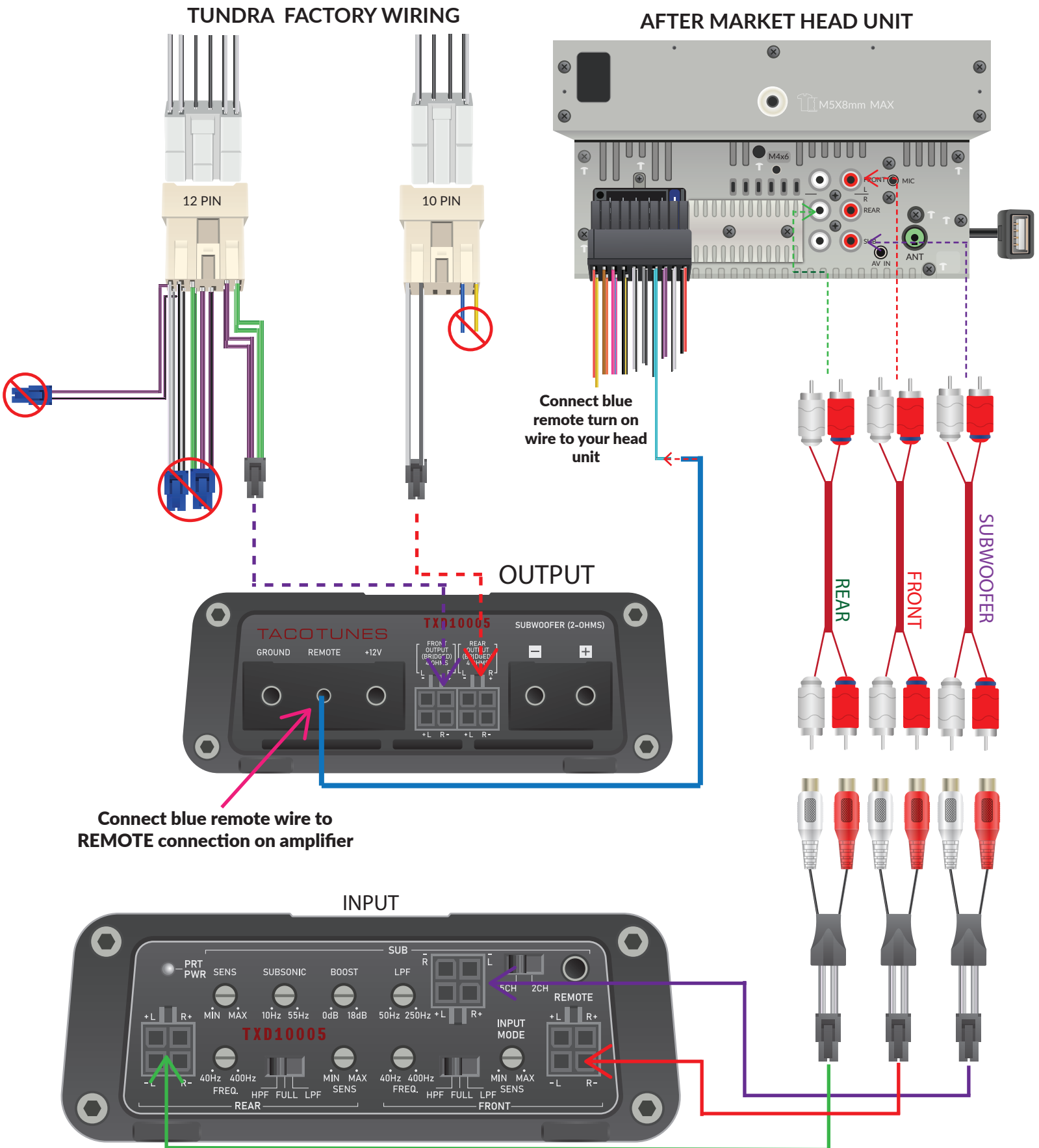
Connect blue remote turn on wire to your head unit

Refer to your head unit's manual for the correct connection

Connect blue remote wire to REMOTE connection on amplifier

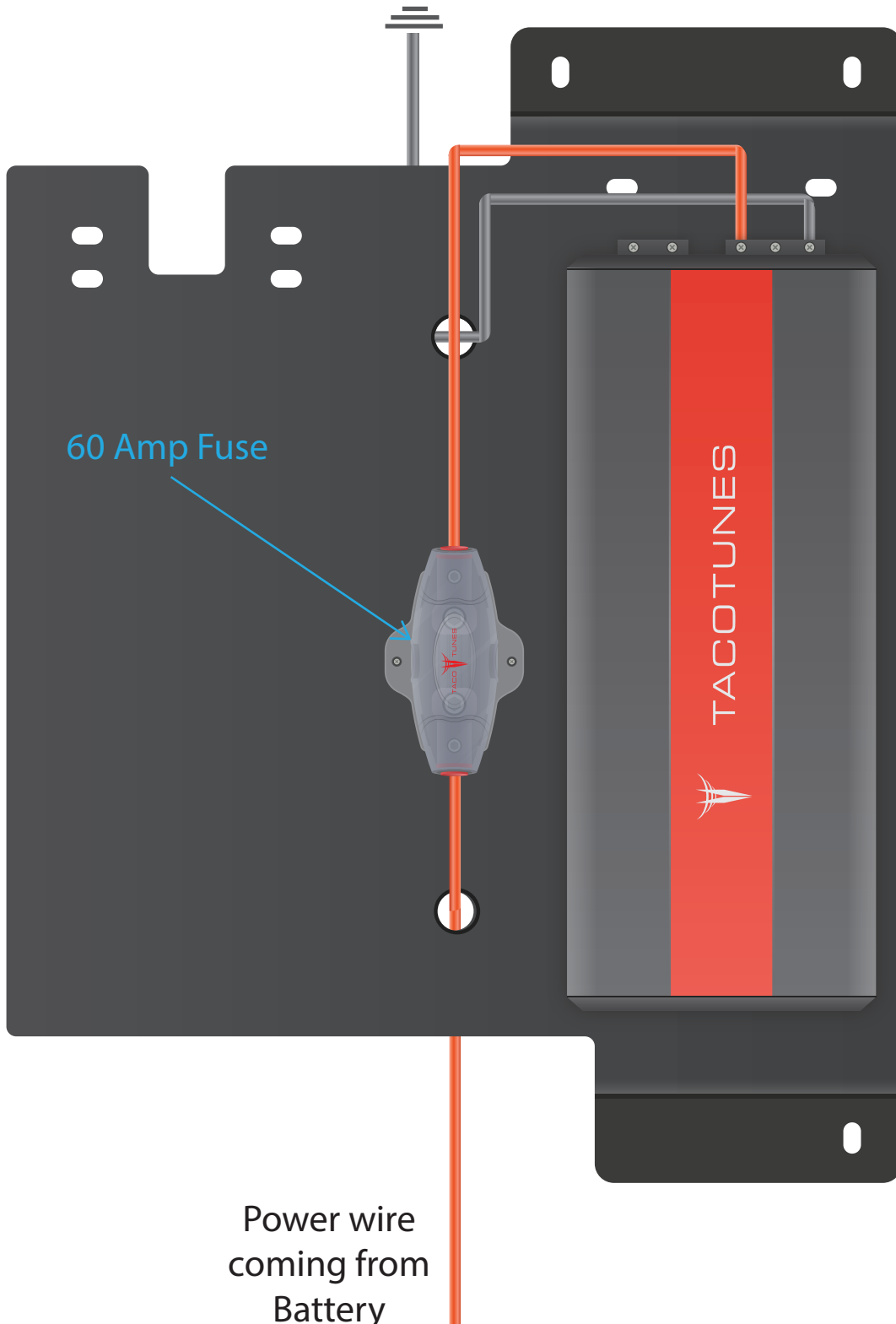


PLUG AND PLAY HARNESS CONNECTION OVERVIEW

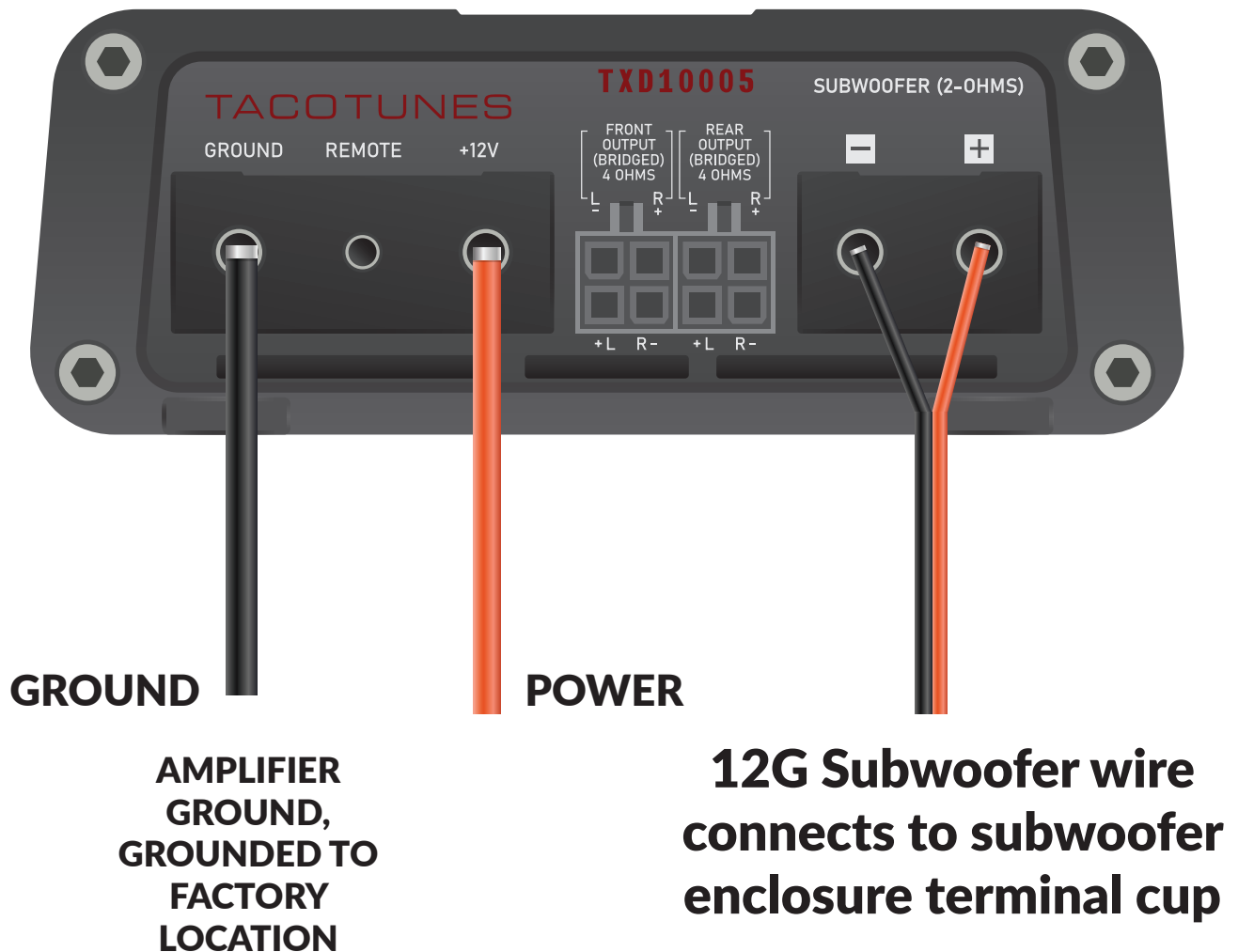


Amp Rack Assembly

Amp Grounded to
factory location



AMPLIFIER OUTPUT CONNECTION OVERVIEW



DO NOT CONNECT SUB WIRING TO TERMINAL CUP UNTIL AFTER THE TUNING PROCESS IS COMPLETED

TXD1000.5 - 5 Channel Amp

Power/Fuse Layout

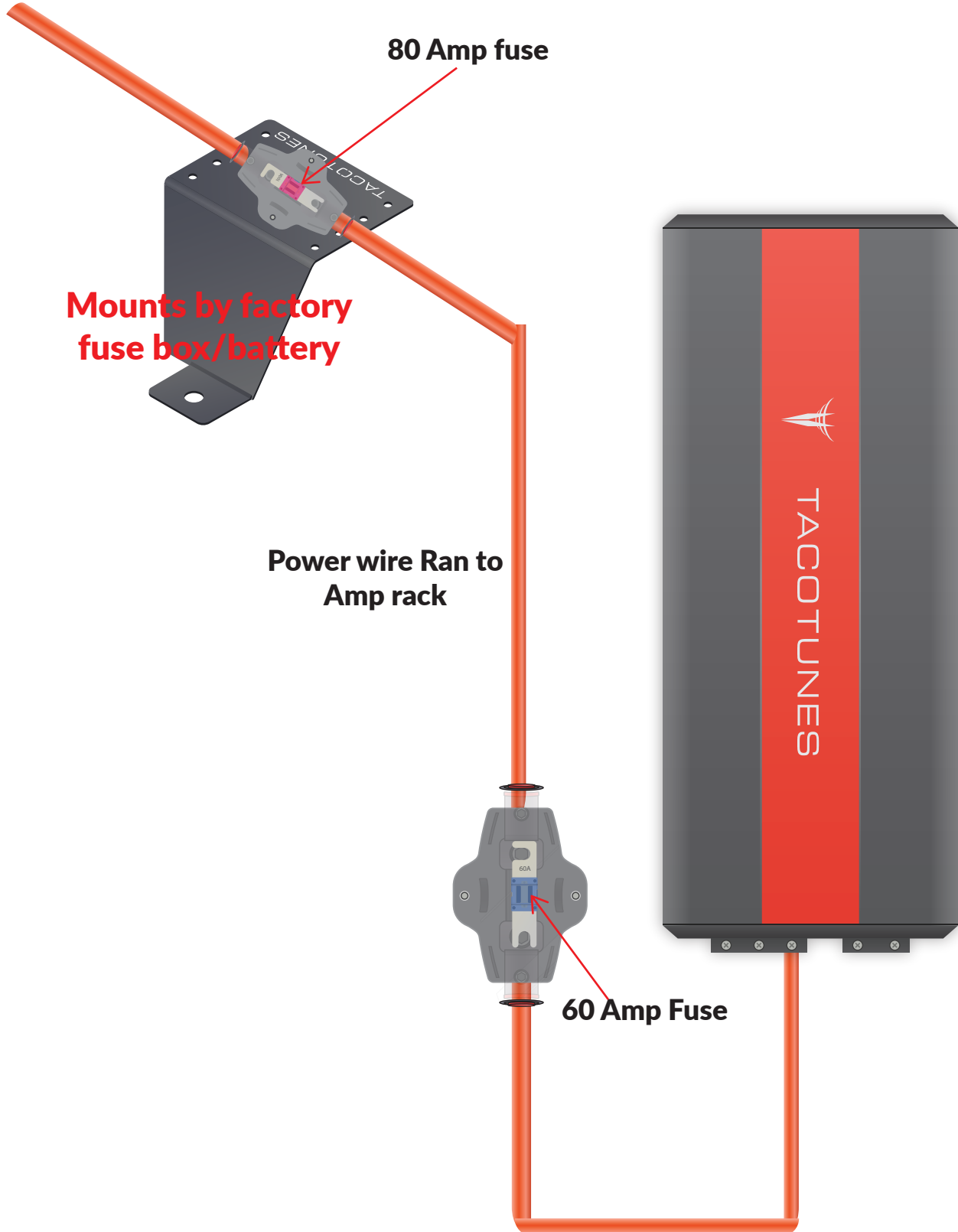
Connects to Battery

80 Amp fuse

Mounts by factory
fuse box/battery

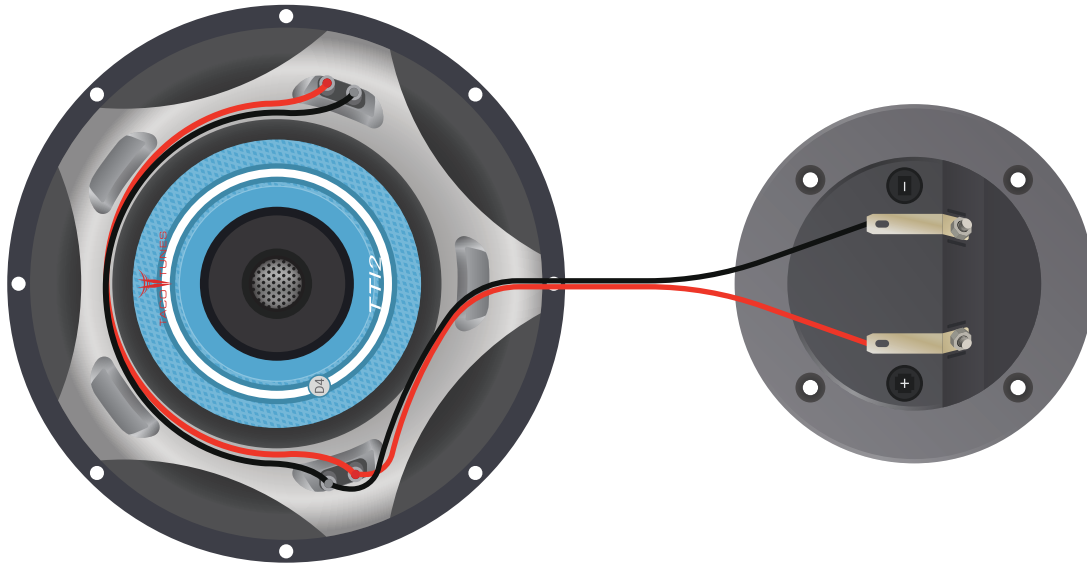
Power wire Ran to
Amp rack

60 Amp Fuse



SUBWOOFER WIRING

Single Subwoofer Wiring



Dual Subwoofer Wiring

