

2007-2013 CrewMax Tundra

BASE AUDIO

“STARTER”

Add a Subwoofer

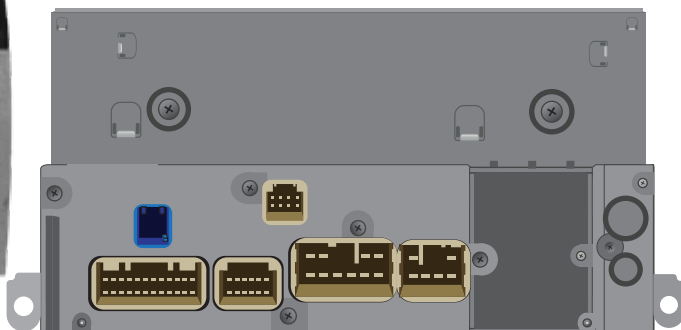
WITHOUT Factory Amp Under Passenger Seat



Installation Diagram



Connections are made behind the head unit

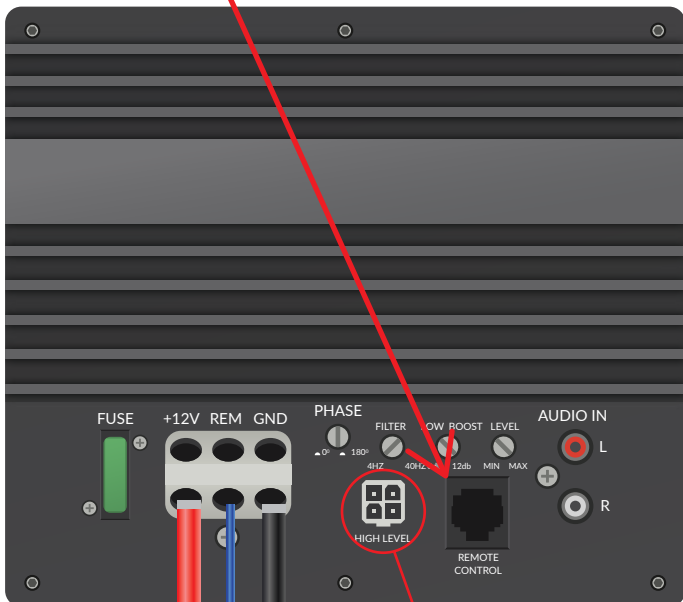
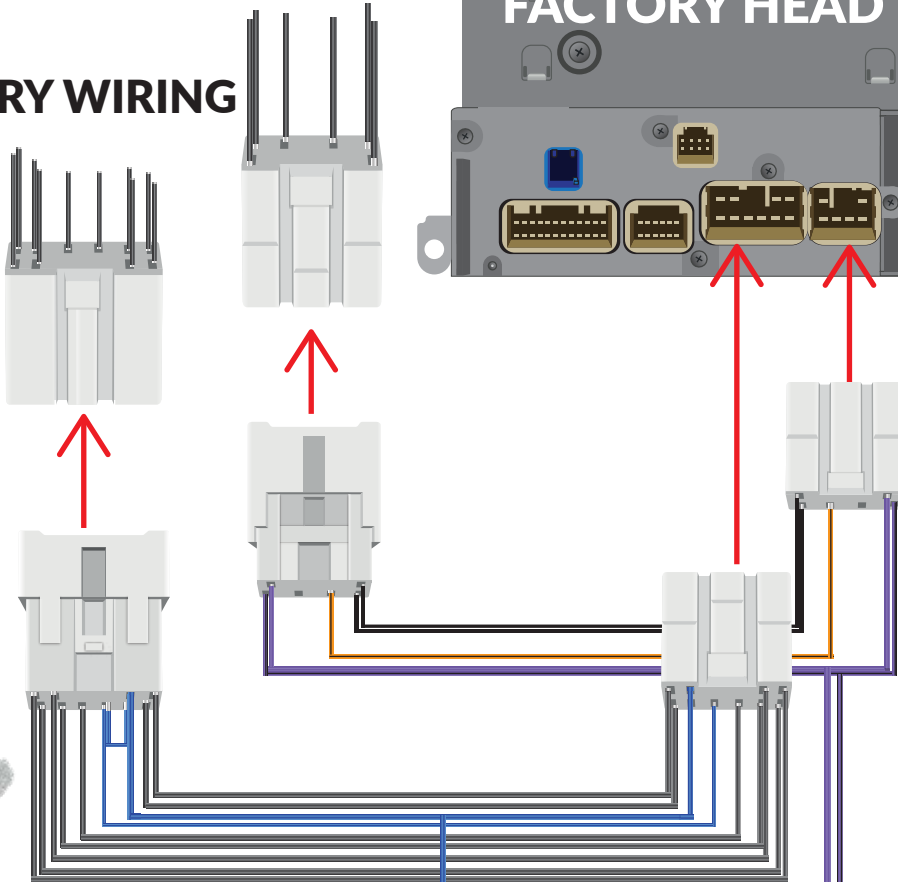
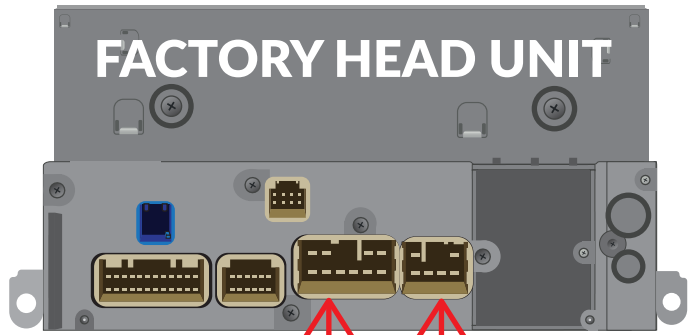


2007 -2013 Base Audio

WITHOUT Factory Amp under Passenger seat

DUAL HARNESS KIT

FACTORY WIRING



Power
(From Battery)

Ground

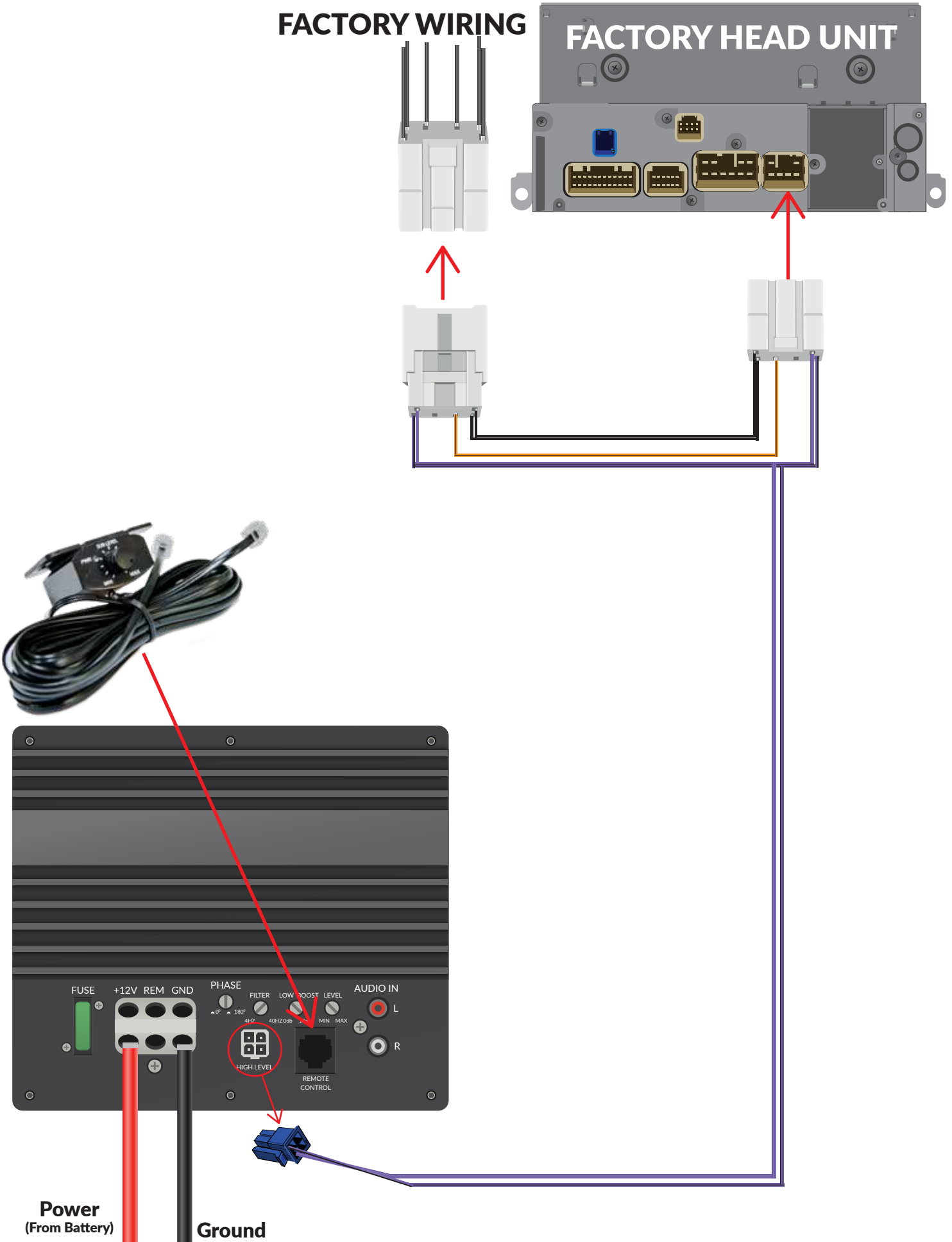
2007 -2013 Base Audio

WITHOUT Factory Amp under Passenger seat

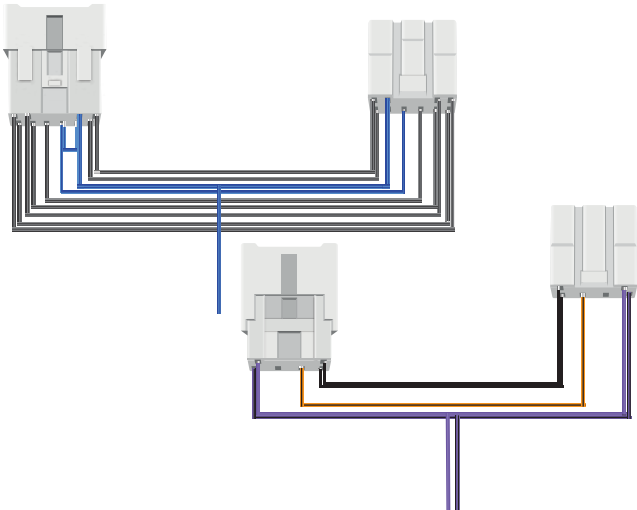
SINGLE HARNESS KIT

FACTORY WIRING

FACTORY HEAD UNIT



Base Audio Wiring Overview



Plug & Play Harnesses Connect to Factory Head Unit/wiring



Plug & Play Harness connects to powered Subwoofer integrated Amplifier



Power wire connects to integrated amplifier



Installs behind rear seat