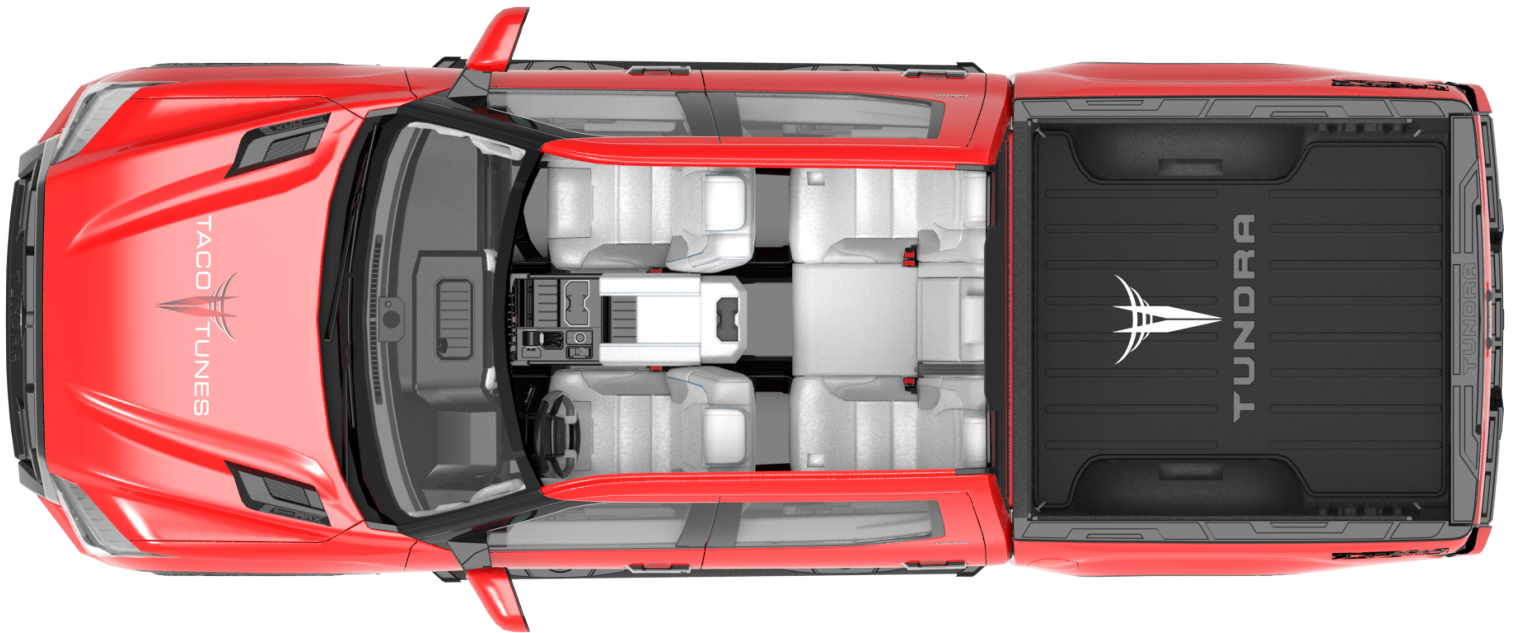
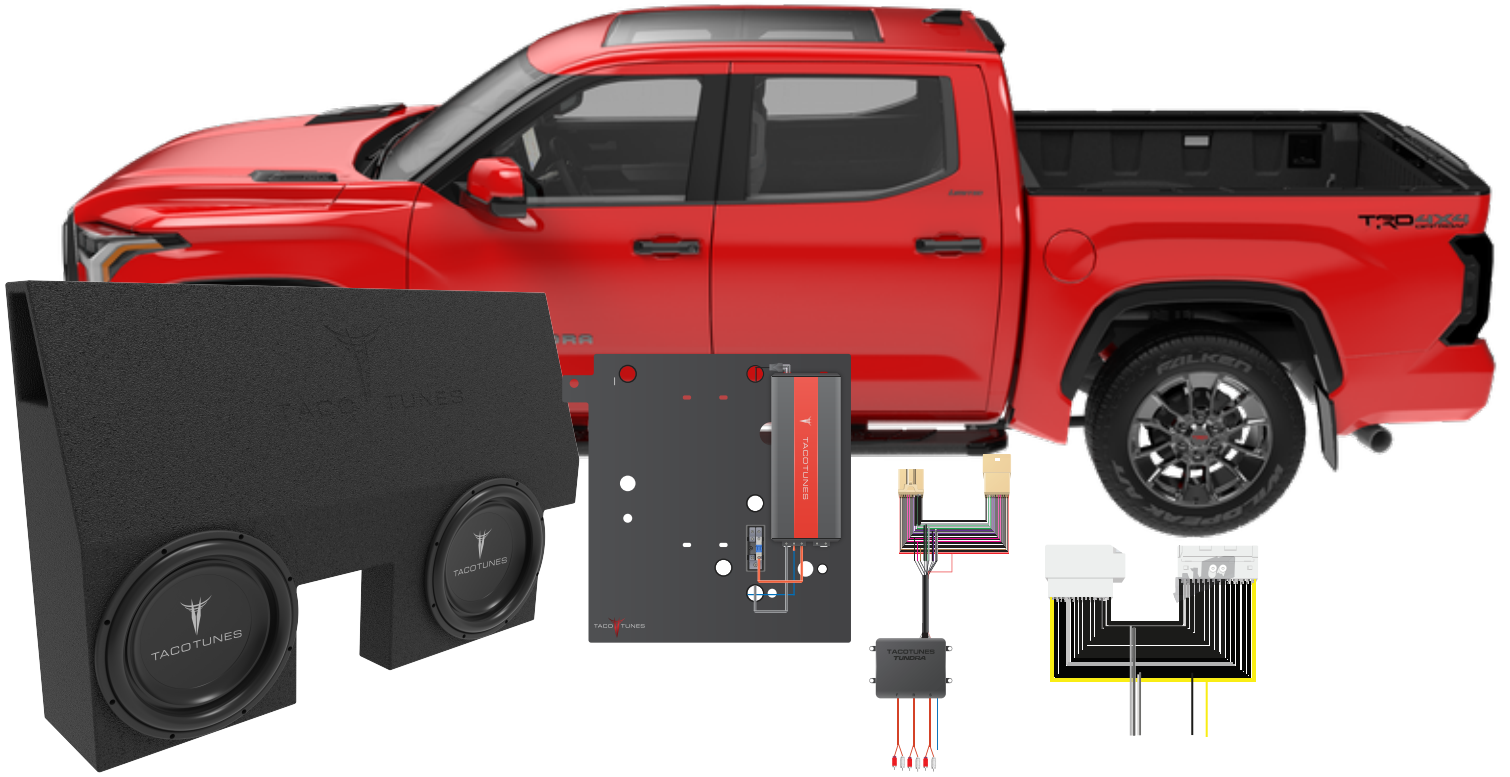
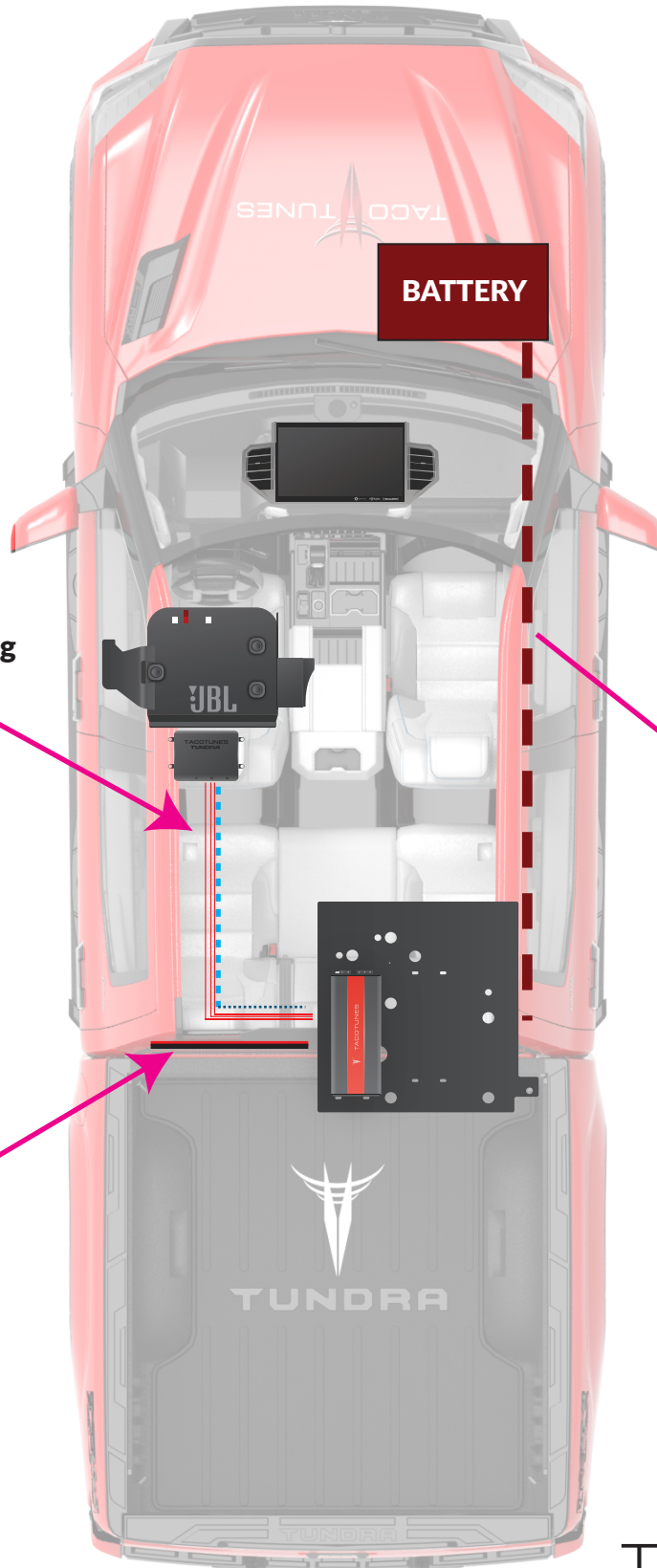


# 2022+ Toyota Tundra JBL Equipped Add a Subwoofer Complete Installation Manual



# Plug & Play Integration Overview



**BATTERY**

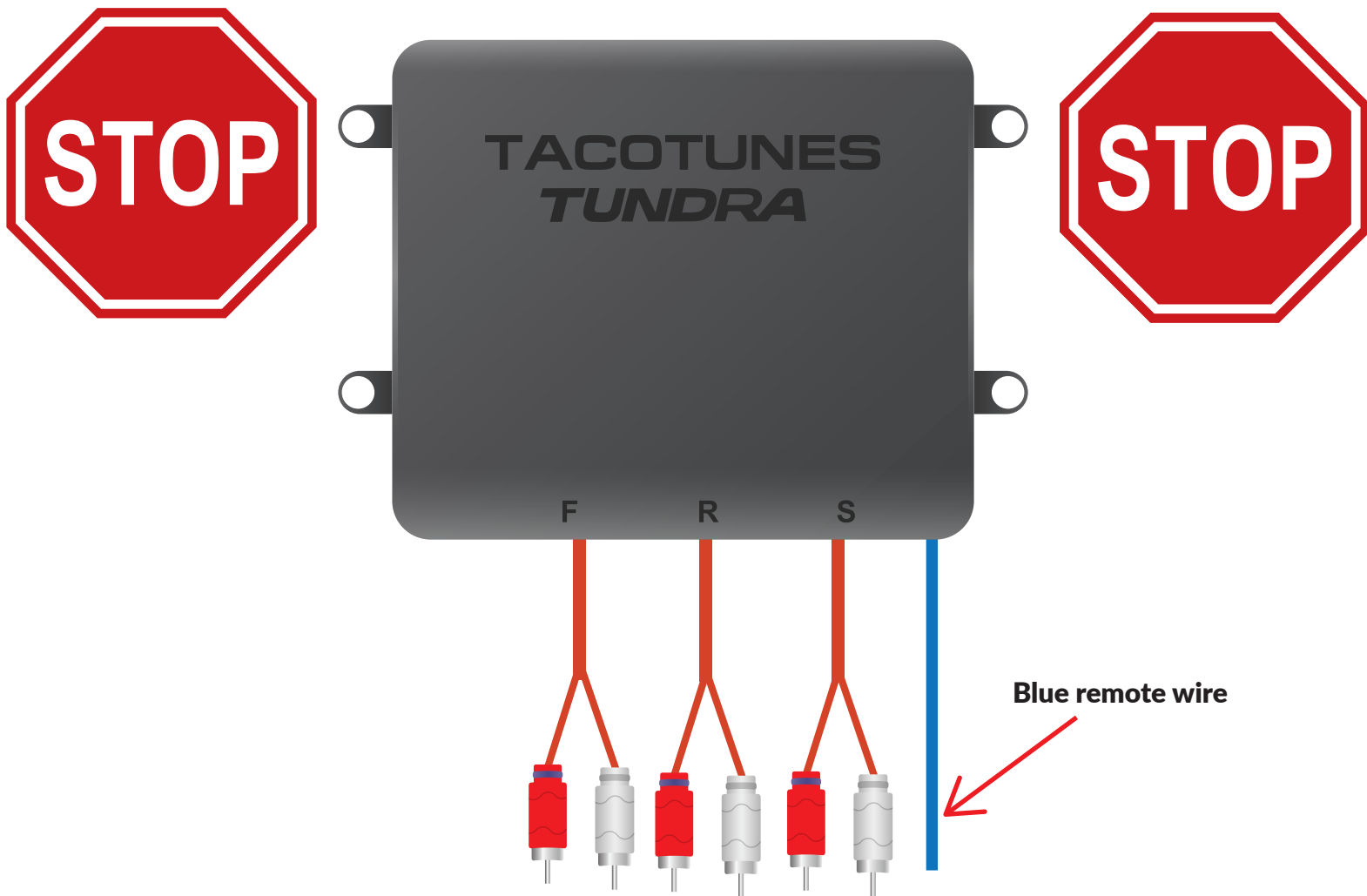
**Connect to Factory amp/Wiring  
and run to TXD Amps:**

**Plug and Play harness 1 & 2  
J.A.R.V.I.S  
Blue Remote Wire  
12ft RCA Cables**

**4G POWER WIRE  
Runs from battery to  
TXD Amplifiers**

**12 Gauge Subwoofer wire  
behind the rear seat**





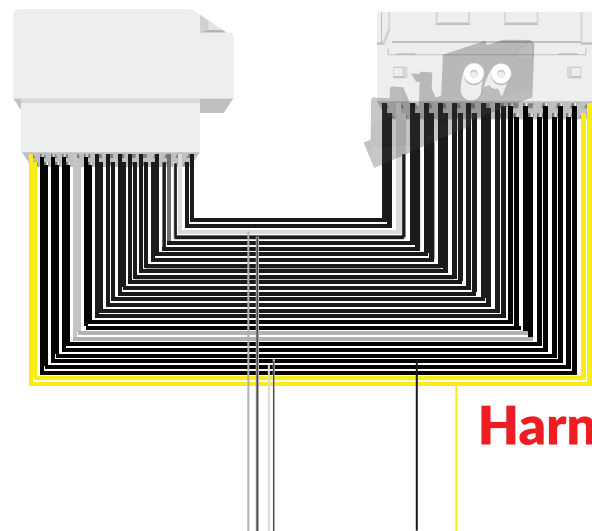
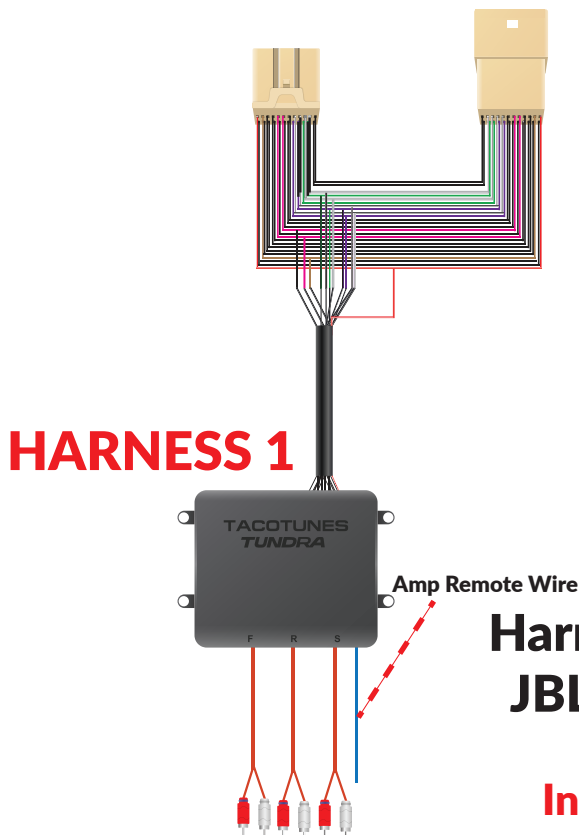
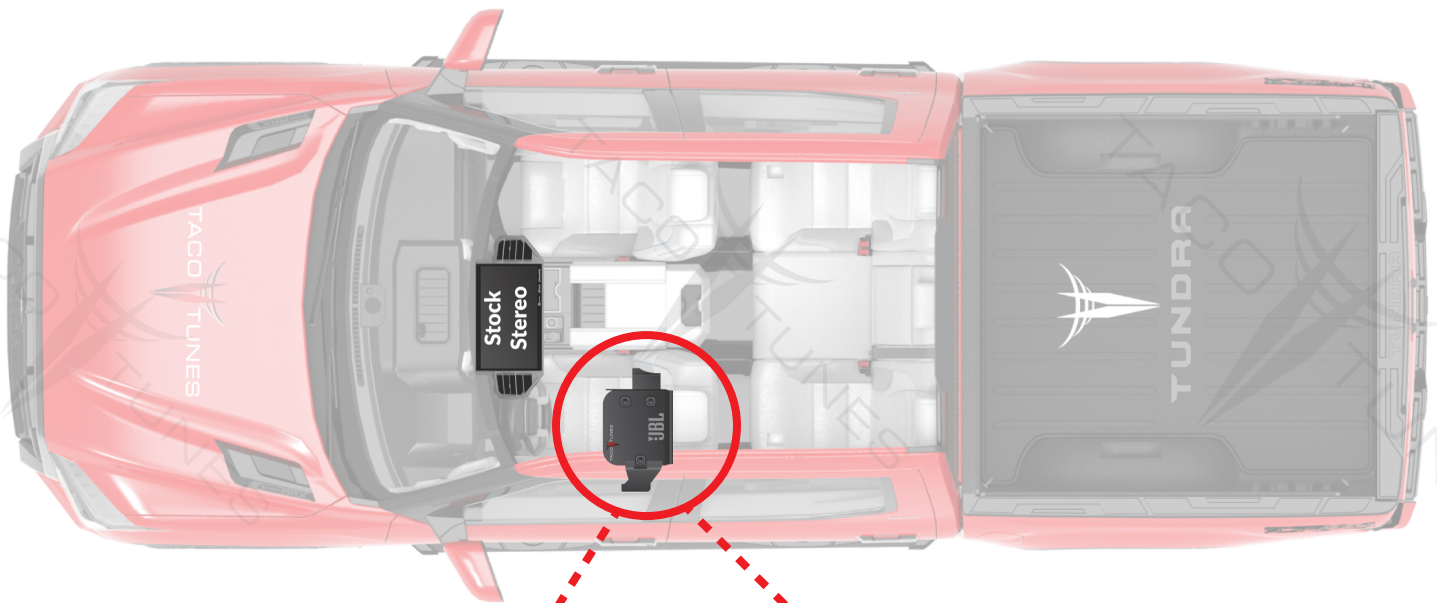
**Do NOT allow the blue remote wire to touch any surface. Contact with ground will irreparably damage the J.A.R.V.I.S unit and void the warranty.**

**Ensure all power and ground connections are securely made before reconnecting the vehicle's battery.**

**Do NOT start the vehicle until all power and ground connections have been properly established.**

**Failure to adhere to these precautions may result in damage to the J.A.R.V.I.S unit and void the warranty.**

# Dual Harness Plug and Play Integration

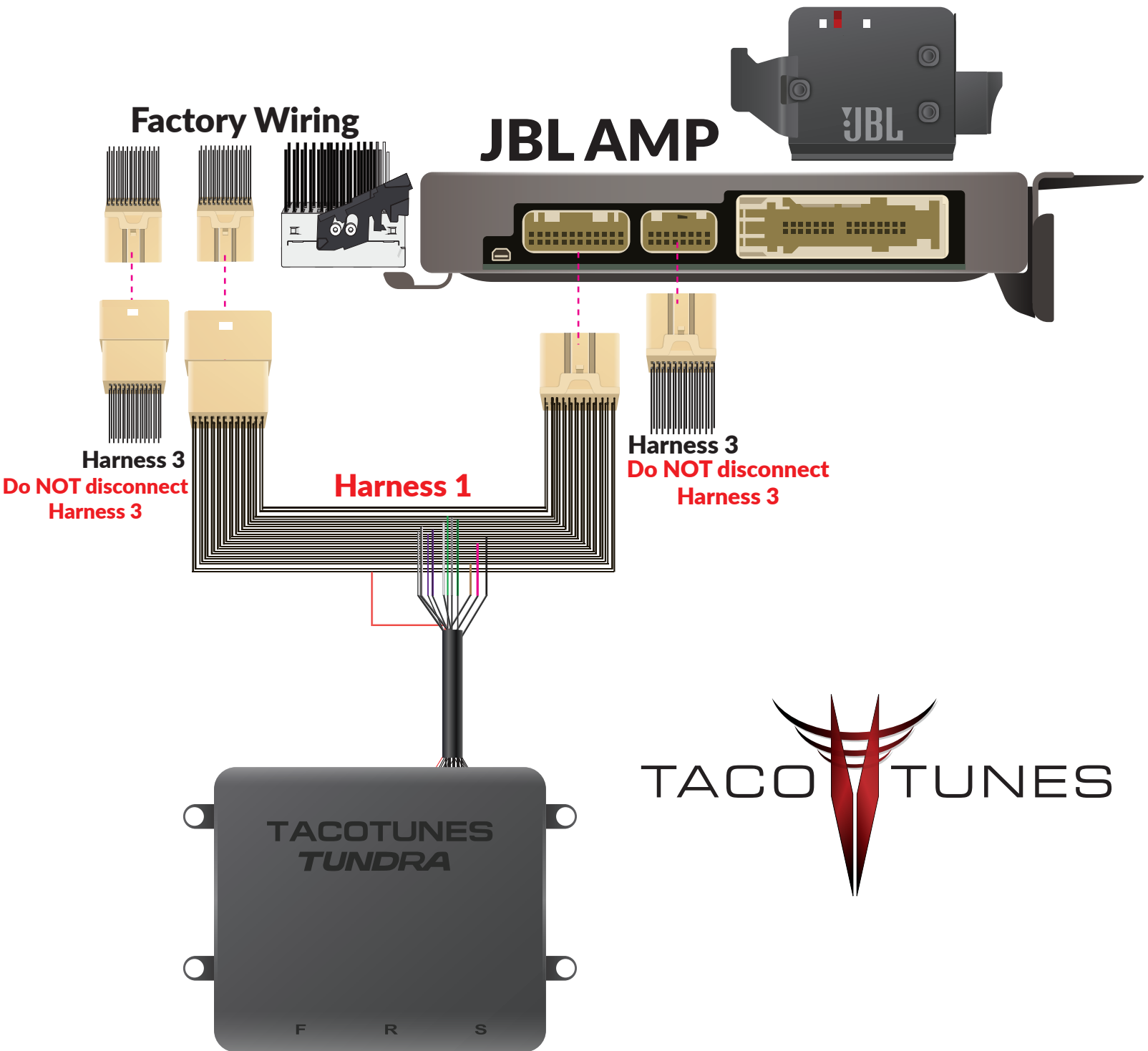


**Harness 1 & 2 plug directly into the factory  
JBL amplifier & the factory wiring of your  
Tundra**

**Install these harnesses according steps on the  
following page**

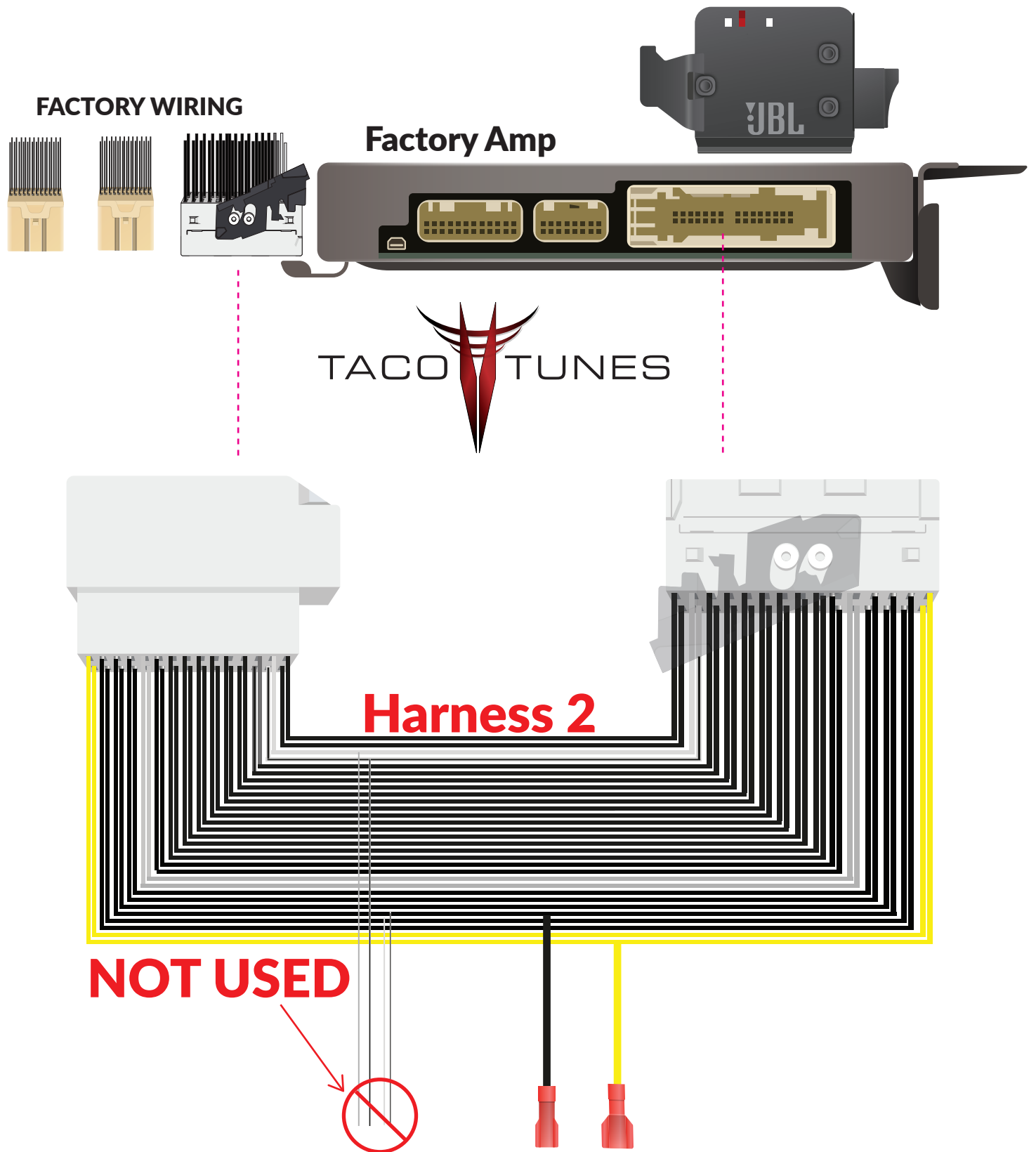
# Section 1A-

## Connect Harness 1 To Factory Amplifier & Wiring



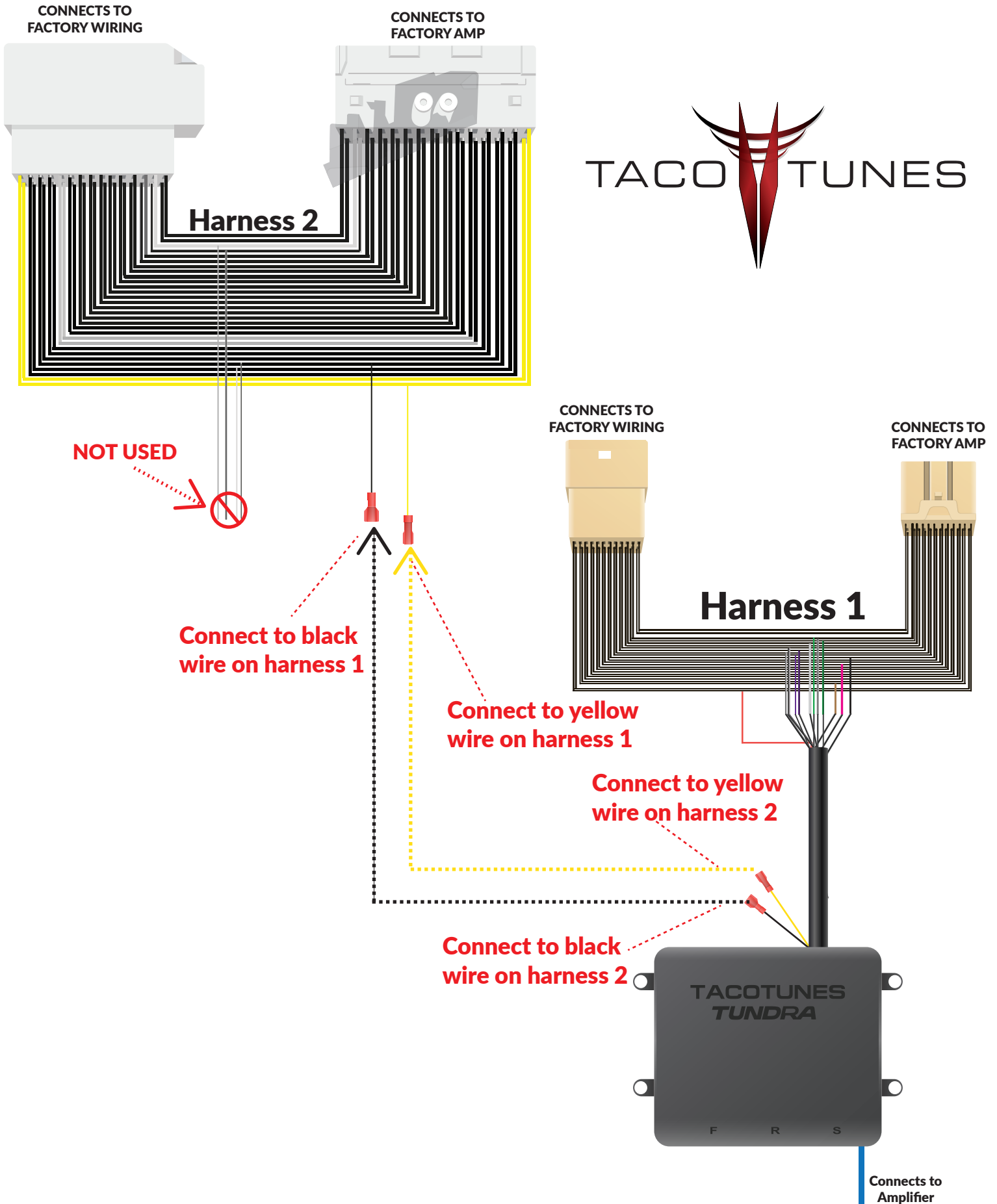
Section 1B-

# Connect Harness 2 To Factory Amplifier & Wiring

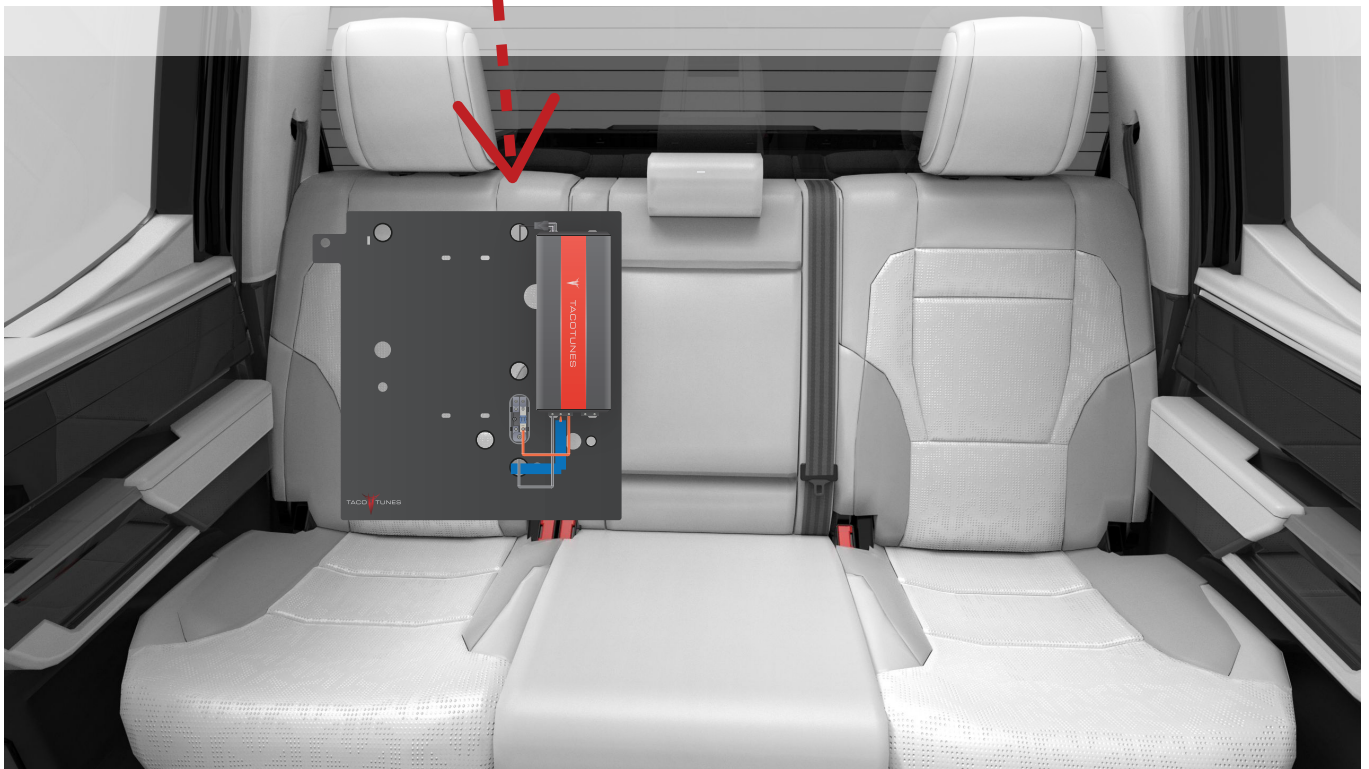
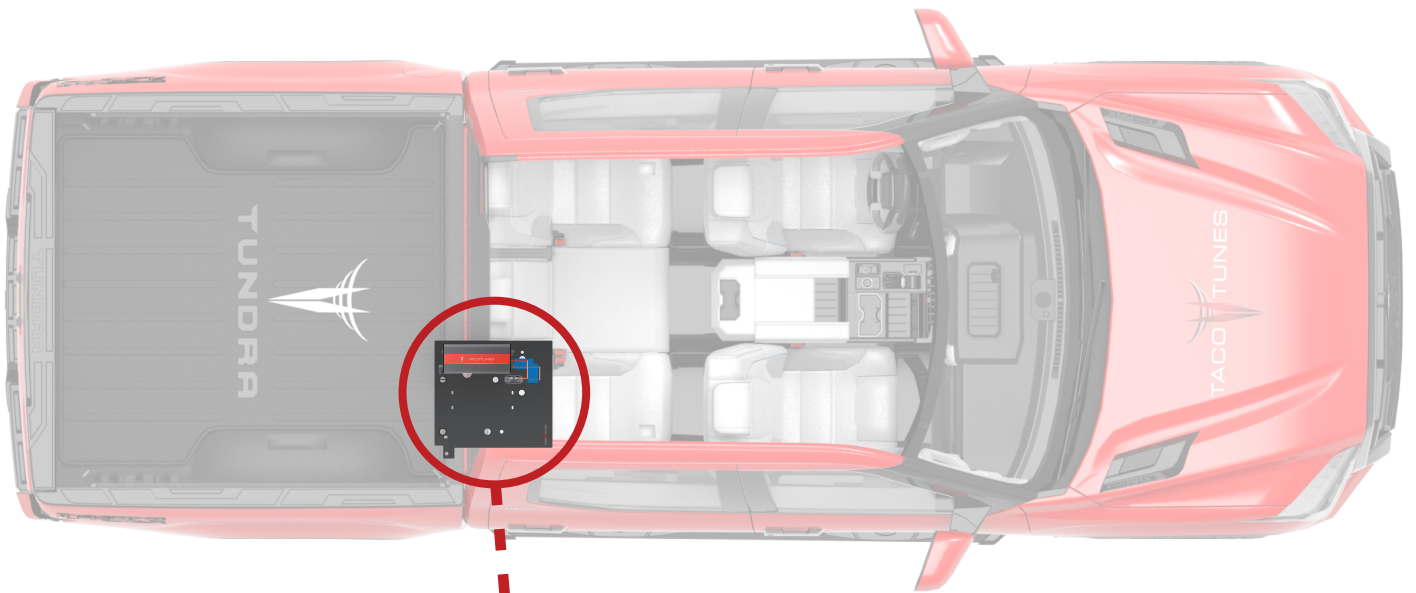


# Section 1C-

## Harness 1 & 2 Quick Disconnects



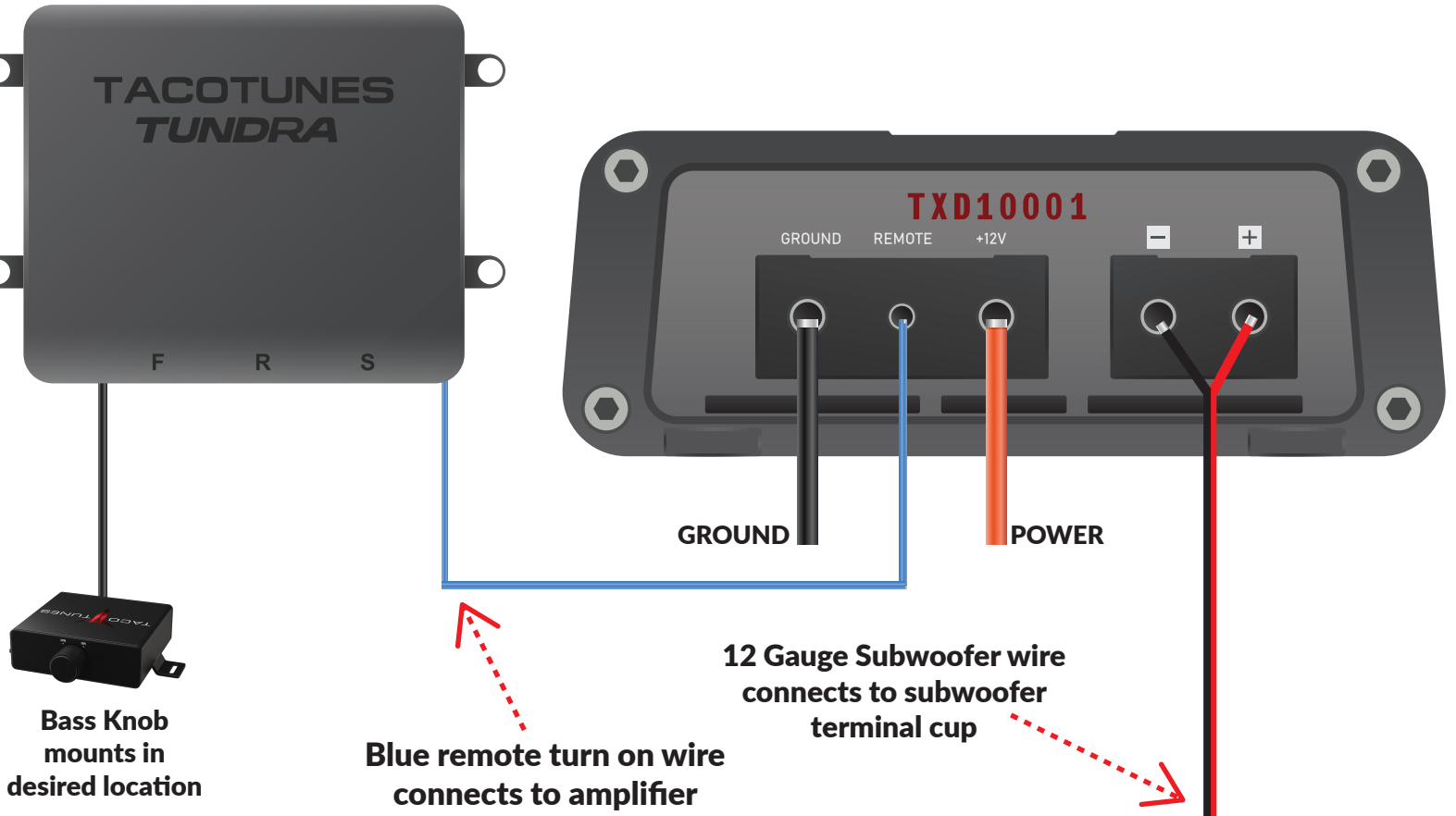
# Amplifier Connections



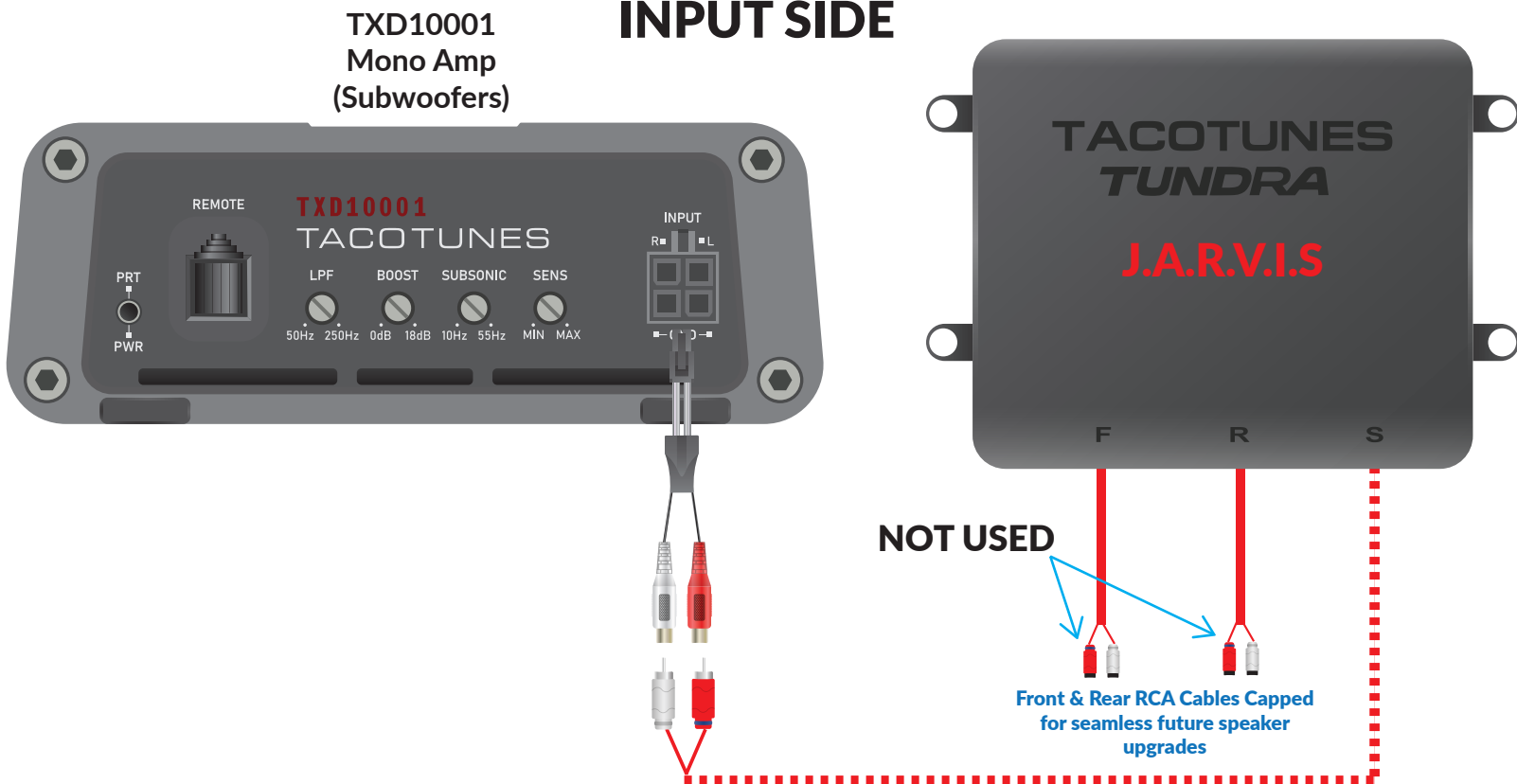
**Make your amplifier connections according steps on the following pages**

# AMPLIFIER CONNECTIONS

## OUTPUT SIDE



## INPUT SIDE





# Amplifier Rack Assembly

Molex plug connects to input side of amp

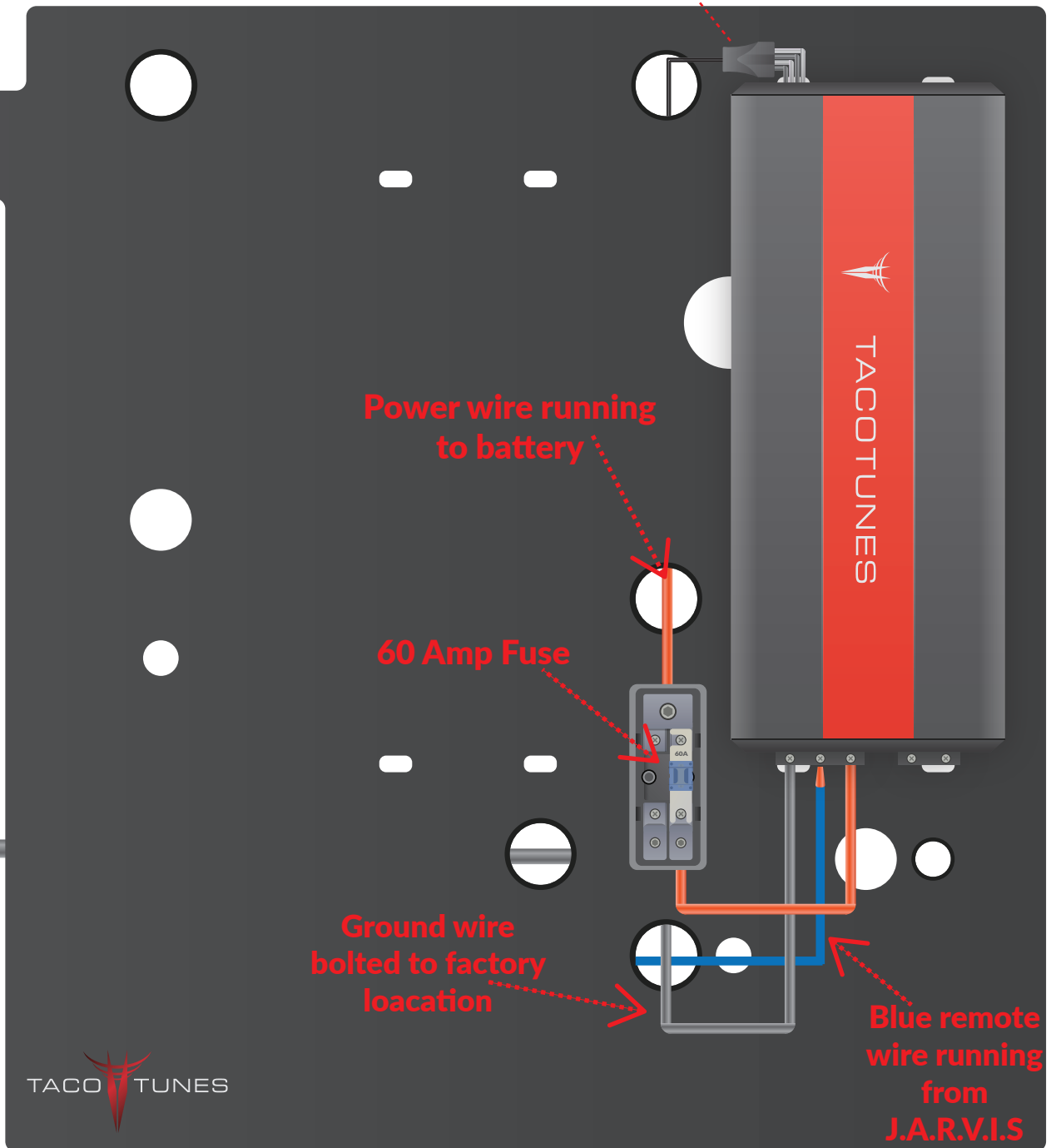
Power wire running to battery

60 Amp Fuse

Ground wire bolted to factory location

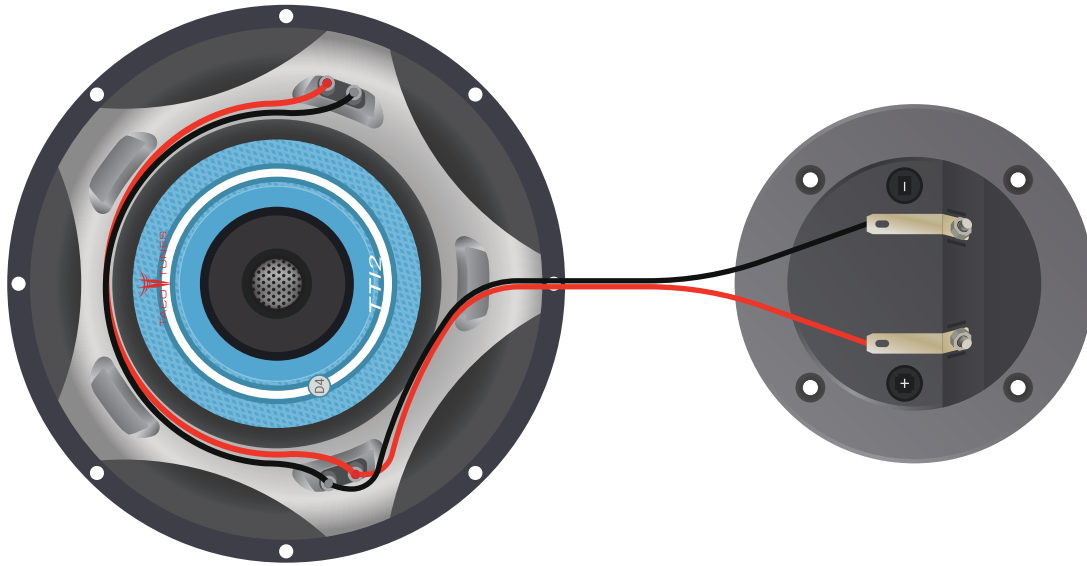
Blue remote wire running from J.A.R.V.I.S

Ground wire bolted to factory ground location



# SUBWOOFER WIRING

## Single Subwoofer Wiring



## Dual Subwoofer Wiring

